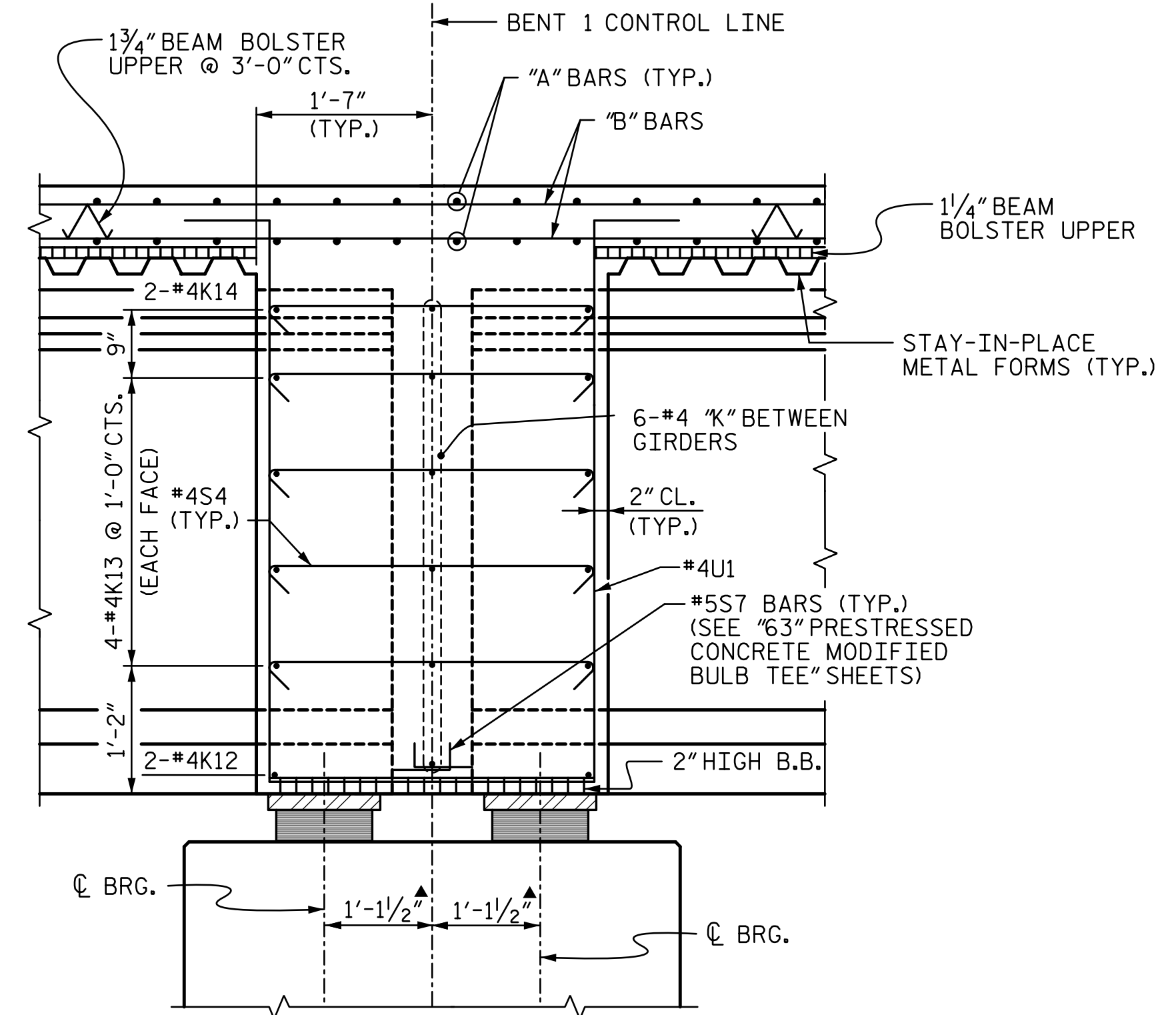
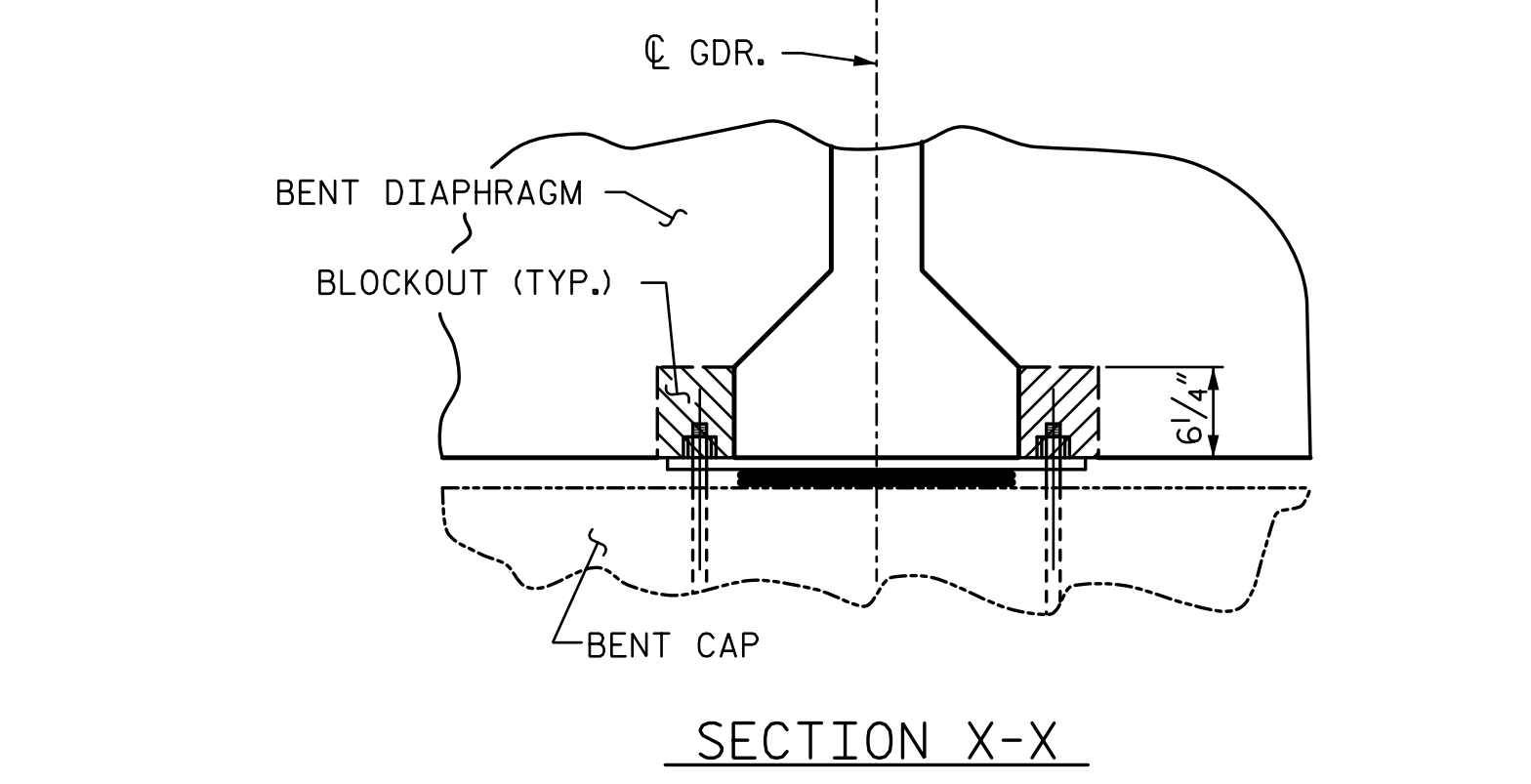


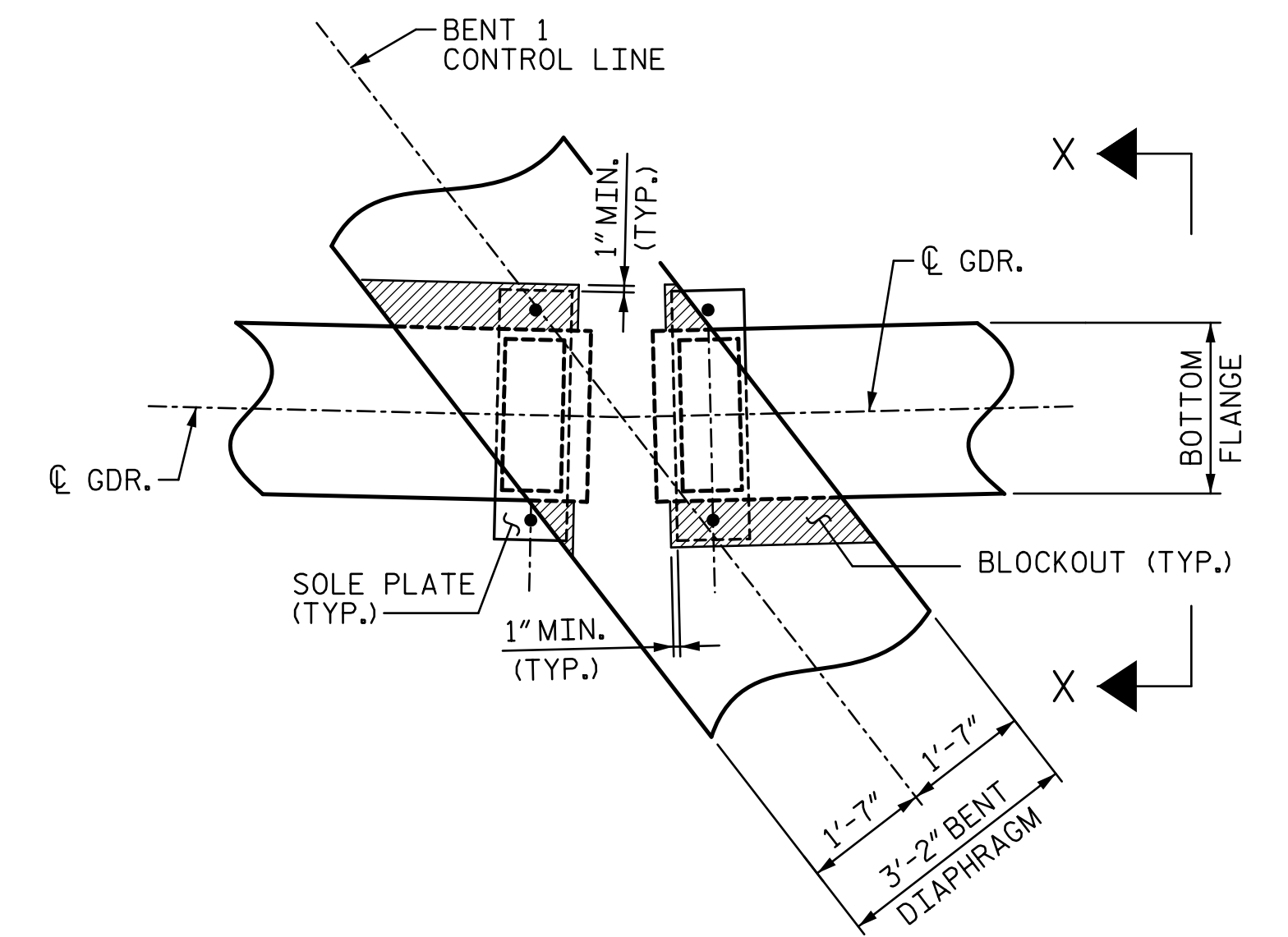
SECTION THRU END DIAPHRAGM
 ("J" BAR USED WITH STANDARD EXP. JT. NOT SHOWN)
 (END BENT 1 SHOWN, END BENT 2 SIMILAR)



SECTION THRU BENT DIAPHRAGM

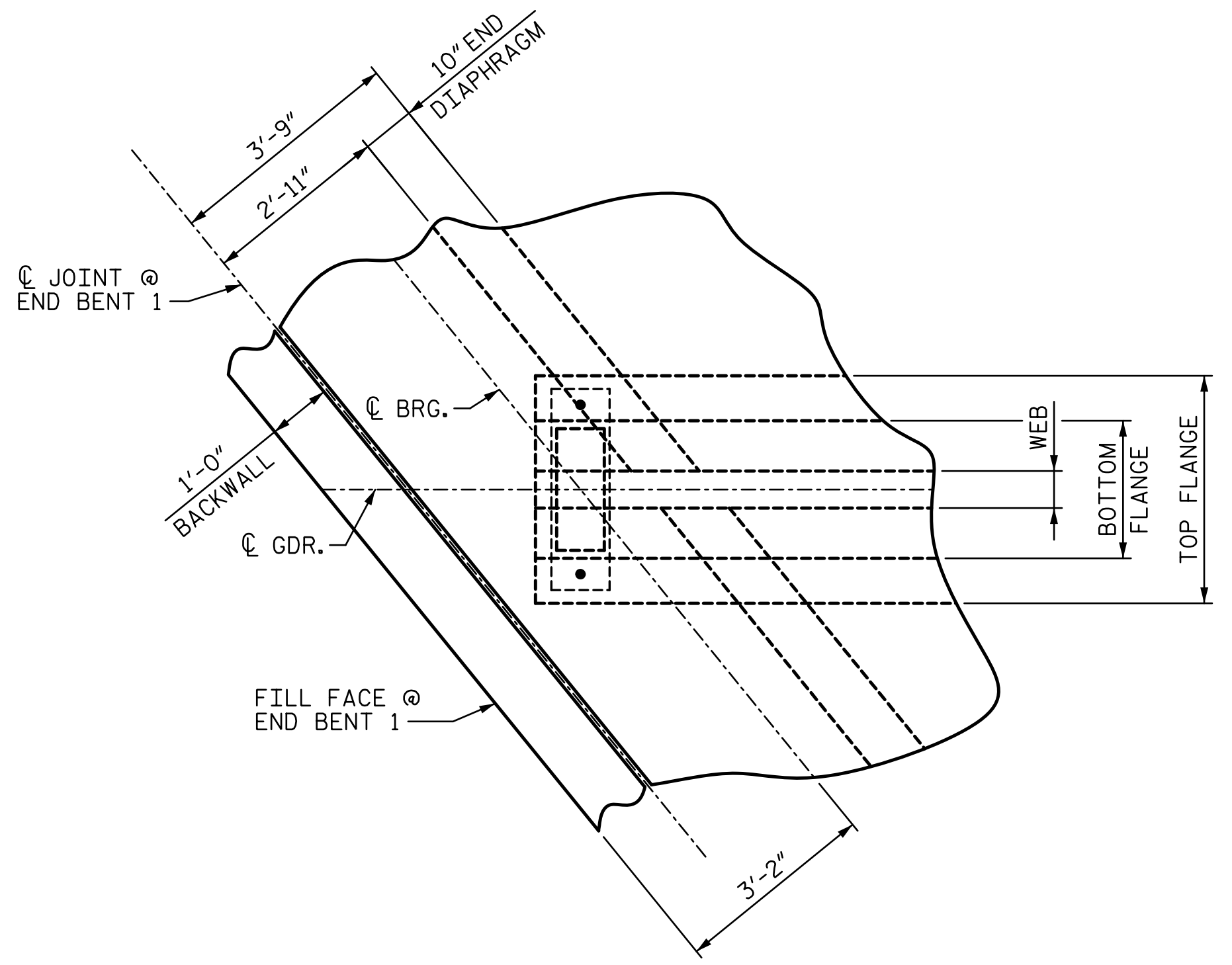


SECTION X-X

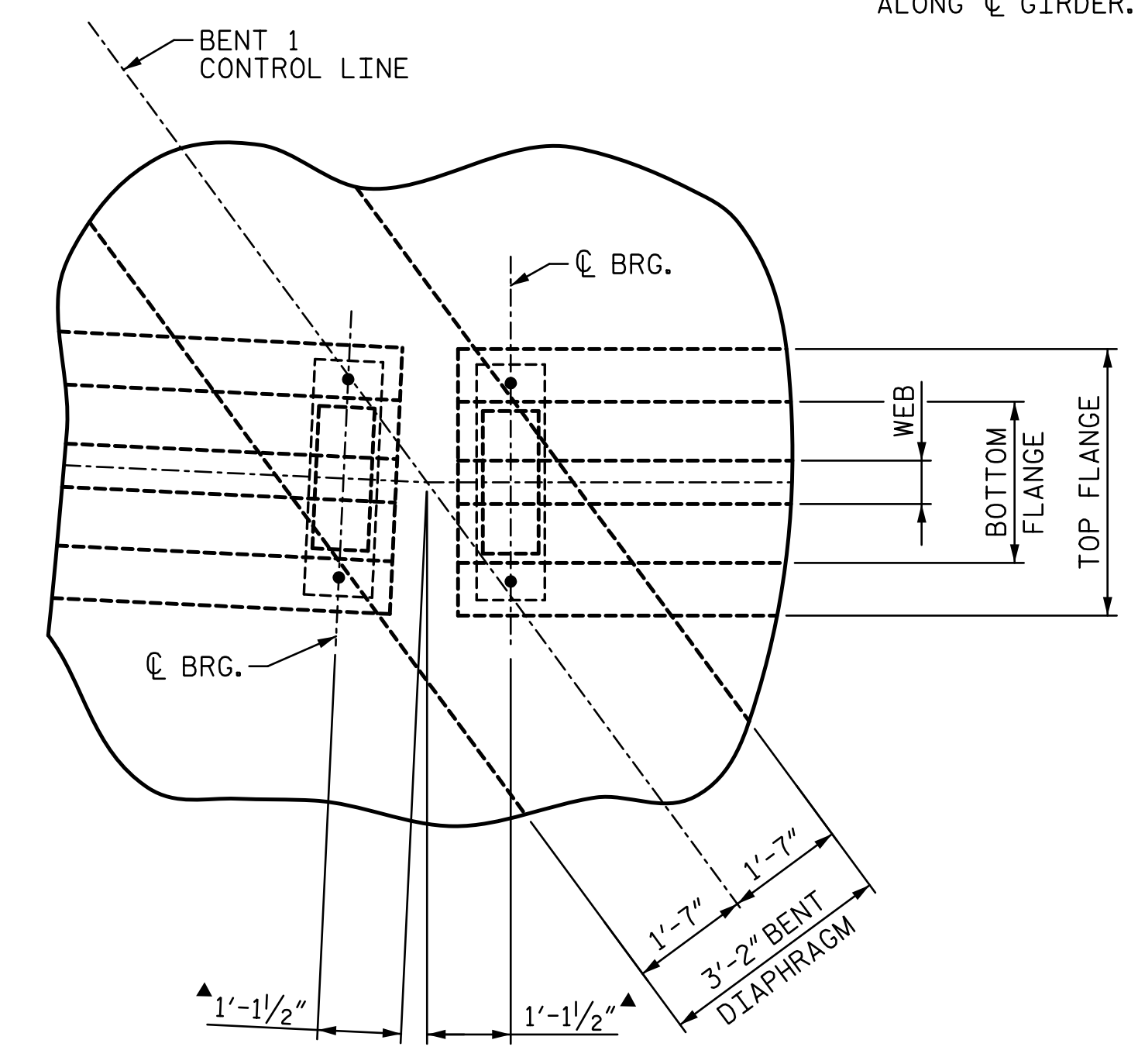


PLAN

BENT DIAPHRAGM BLOCKOUT DETAIL



PLAN OF GIRDER AT END BENT
 (BENT CAP NOT SHOWN FOR CLARITY)
 (END BENT 1 SHOWN, END BENT 2 SIMILAR)



PLAN OF GIRDER AT BENT
 (BENT CAP NOT SHOWN FOR CLARITY)

▲ DIMENSIONS ARE MEASURED ALONG GDR.

PROJECT NO. U-4751
NEW HANOVER COUNTY
 STATION: 38+94.20 -L-
 SHEET 2 OF 2

DOCUMENT NOT CONSIDERED FINAL UNLESS ALL SIGNATURES COMPLETED		STATE OF NORTH CAROLINA DEPARTMENT OF TRANSPORTATION RALEIGH		SUPERSTRUCTURE TYPICAL SECTION DETAILS	SHEET NO. S1-7 TOTAL SHEETS 36		
		REVISIONS					
		NO.	BY:			DATE:	NO.
1			3				
2			4				

R:\401_013_U4751_SMU_TSD_007_640201.dgn 3:14:51 PM 6/22/2017 ch14kmb

DRAWN BY: VMW DATE: 4-17 DESIGN ENGINEER OF RECORD: T. TOWNSEND DATE: 5-17
 CHECKED BY: AJP DATE: 4-17