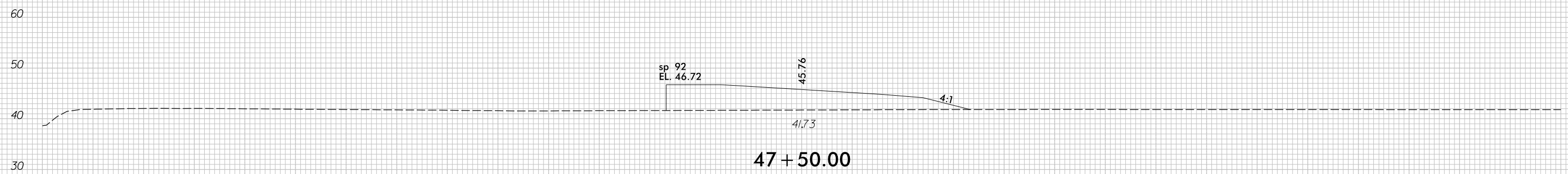
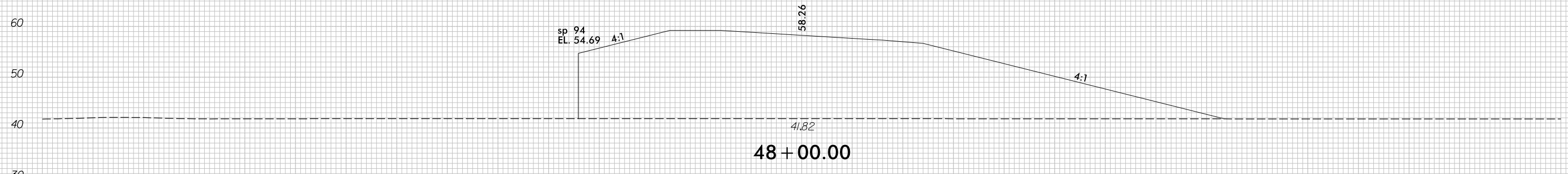
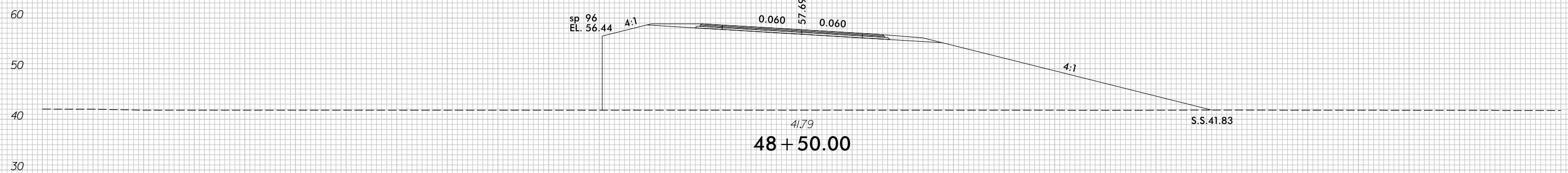
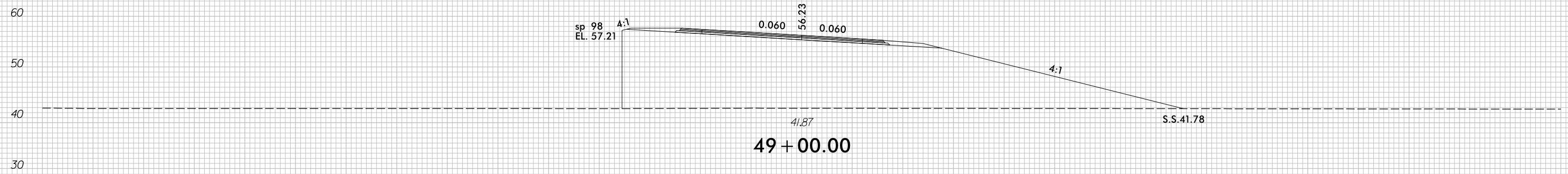


8/23/99



PROJ. REFERENCE NO.	SHEET NO.
U-4751	X-216

150 140 130 120 110 100 90 80 70 60 50 40 30 20 10 0 10 20 30 40 50 60 70 80 90 100 110 120 130 140 150



-Y8RPCA-

7/5/2017
r:\Roadway\XSC\U4751_Rdy_XPL_Y8RPCA.dgn
c:\proves

150 140 130 120 110 100 90 80 70 60 50 40 30 20 10 0 10 20 30 40 50 60 70 80 90 100 110 120 130 140 150