

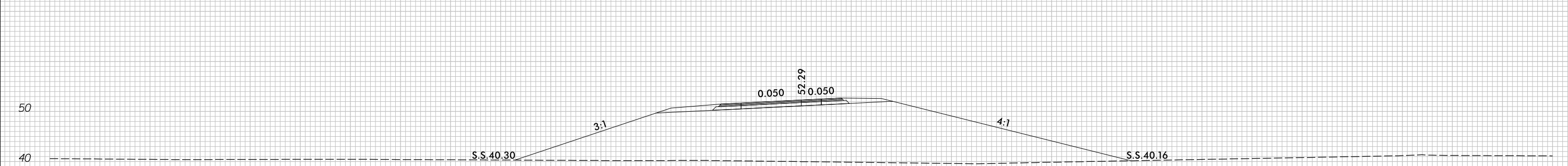
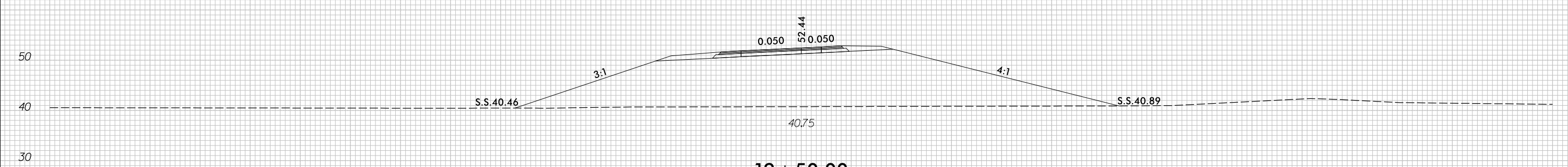
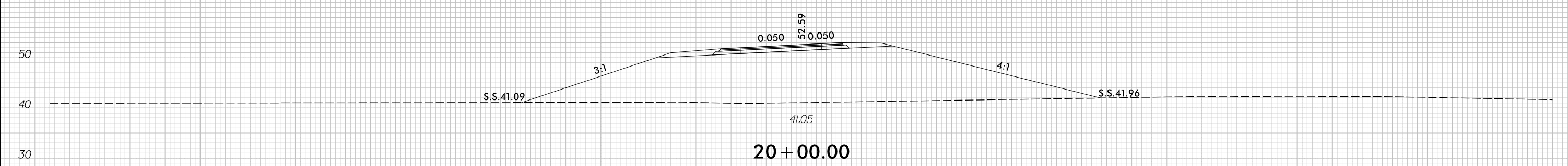
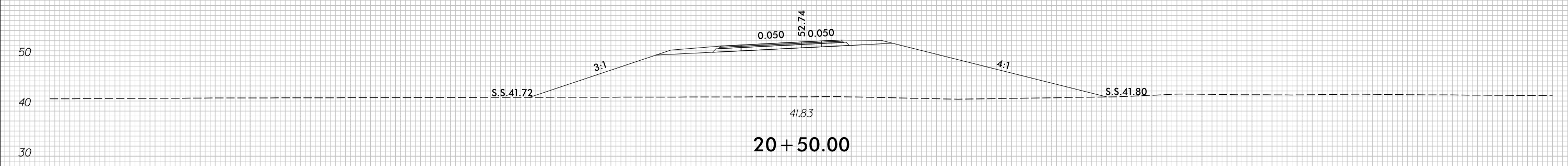
8/23/99



PROJ. REFERENCE NO.
U-4751

SHEET NO.
X-210

150 140 130 120 110 100 90 80 70 60 50 40 30 20 10 0 10 20 30 40 50 60 70 80 90 100 110 120 130 140 150



150 140 130 120 110 100 90 80 70 60 50 40 30 20 10 0 10 20 30 40 50 60 70 80 90 100 110 120 130 140 150

7/5/2017
r:\Roadway\XSC\U4751_Rdu_XPL_Y8RPC.dgn
cpraves

-Y8RPC-