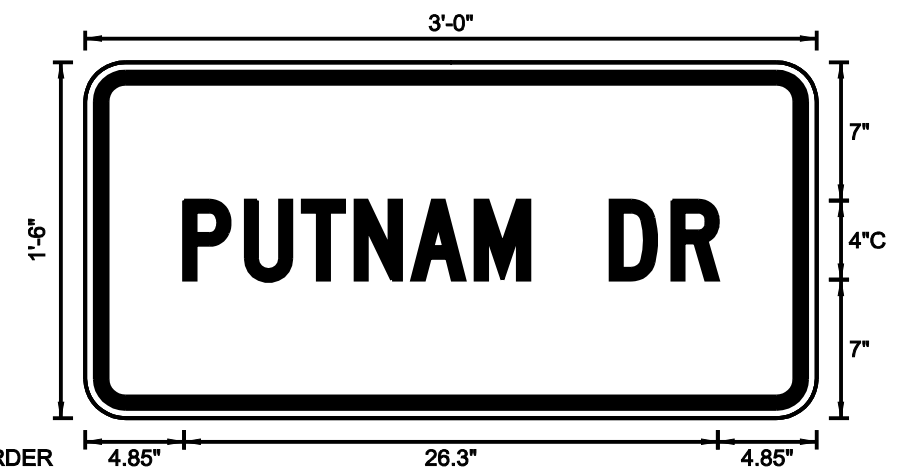


SIGN NUMBER: TYPE: D QUANTITY: 1 SIGN WIDTH: 3'-0" HEIGHT: 1'-6" TOTAL AREA: 4.5 Sq.Ft. BORDER TYPE: FLUSH RECESS: 0.47" WIDTH: 0.63" RADII: 1.5" NO. Z BARS: LENGTH: MAT'L: 0.125" (3.2 mm) ALUMINUM

Table with columns: SYMBOL, X, Y, WID, HT

DESIGN BY: CHECKED BY: DATE: May 19, 2017 PROJECT ID: DIV:



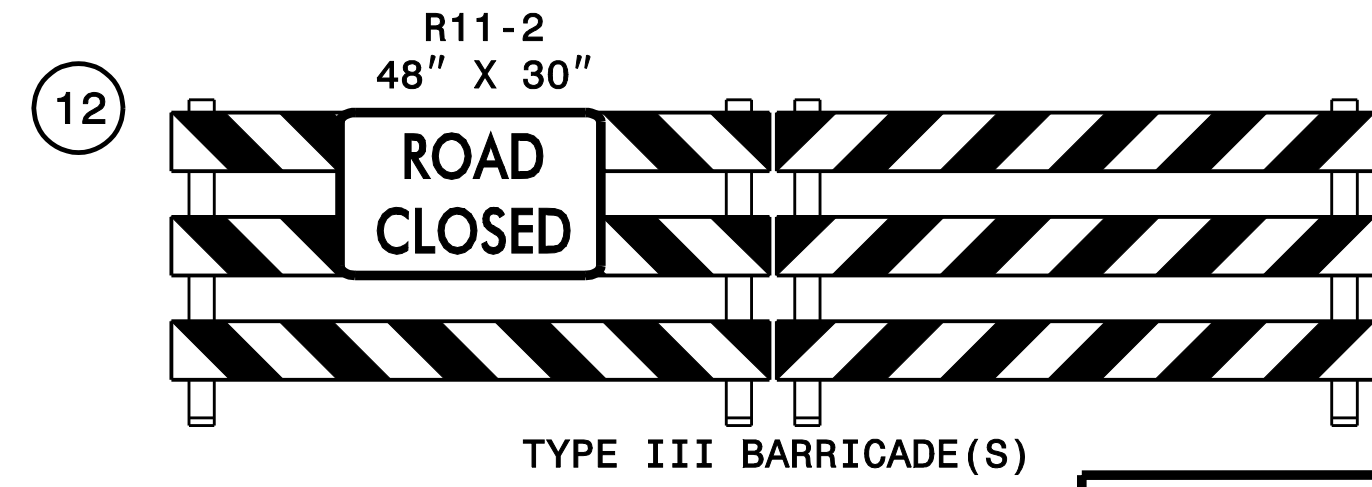
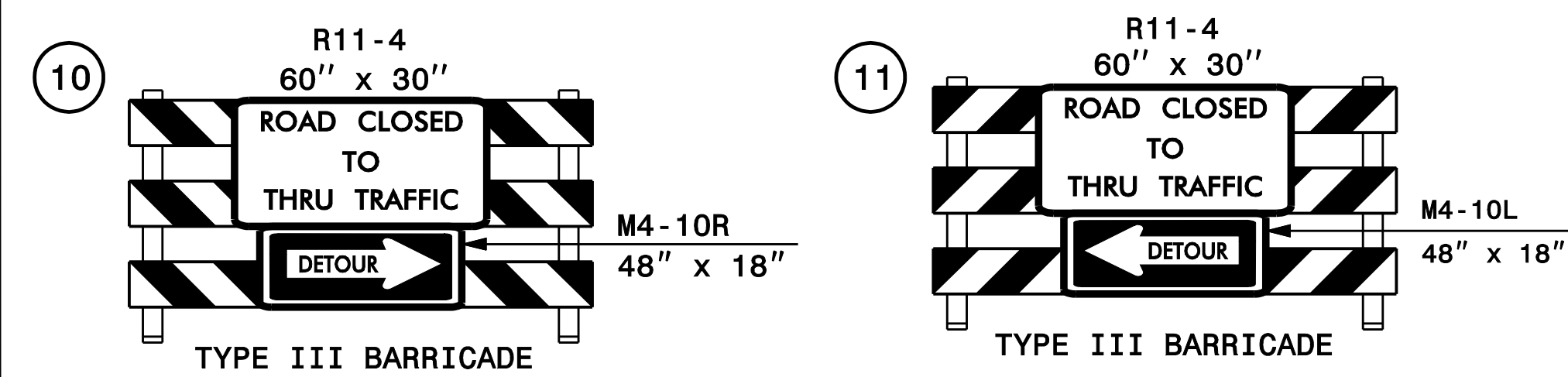
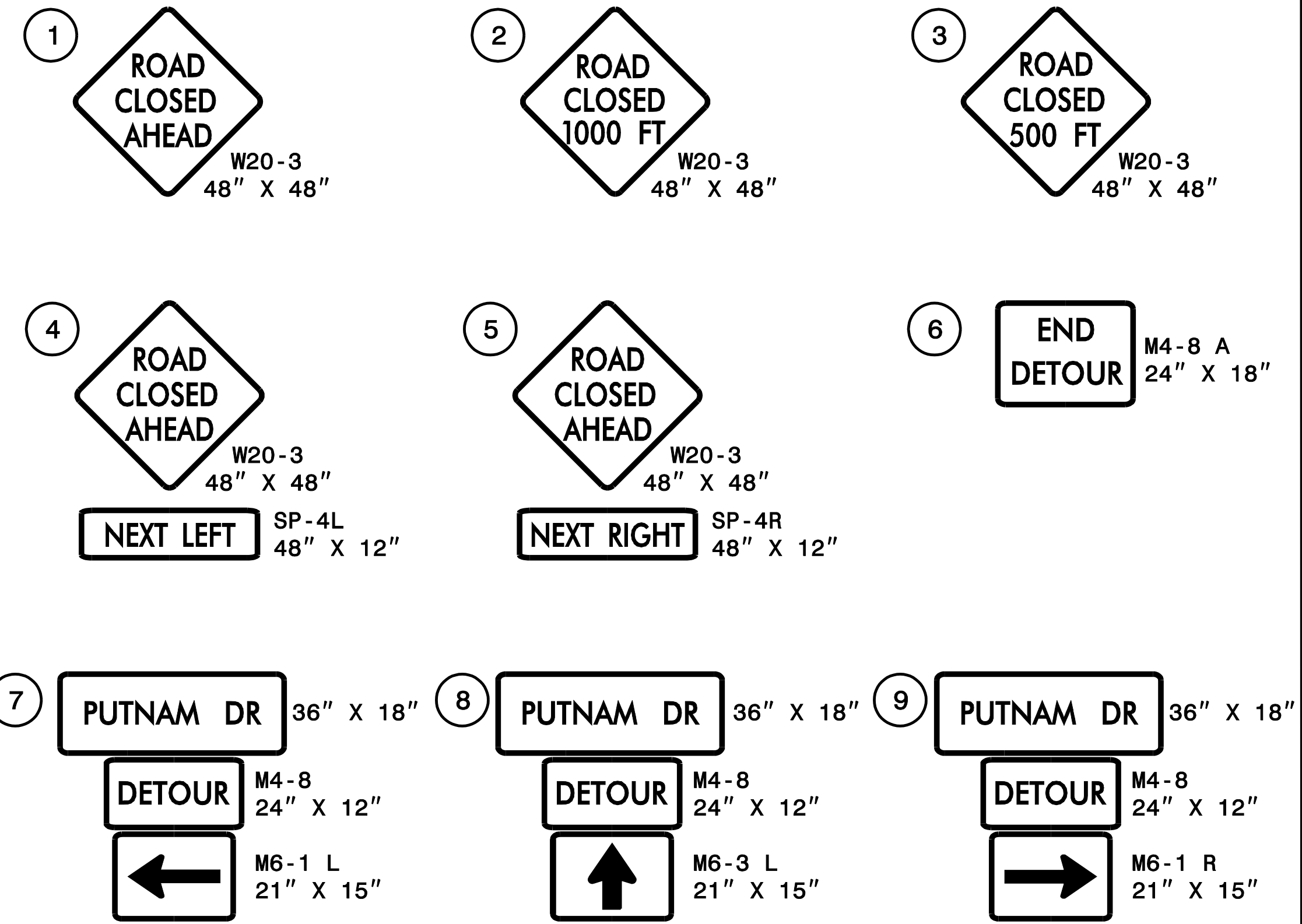
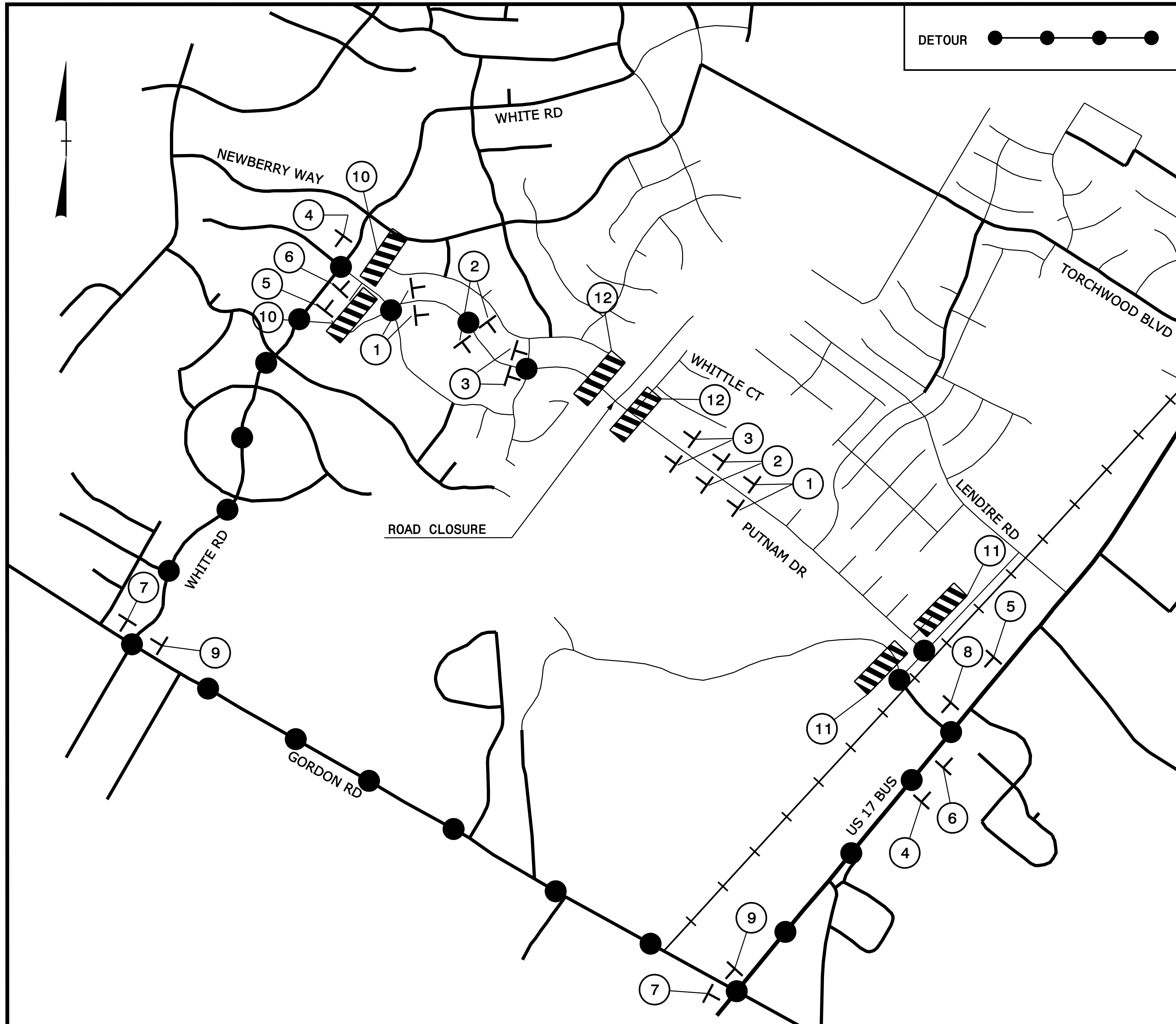
Spacing Factor is 1 unless specified otherwise

LETTER POSITIONS

Table for letter positions and spacings. Includes text: 'Letter spacings are to start of next letter'. Columns for letters P, U, T, N, A, M, D, R. Row 1 values: 4.9, 3, 2.8, 2.6, 2.8, 3.1, 2.6, 4, 3, 2.2, 4.9. Series/Size: C 2000. Text Length: 26.3.

FILENAME: Offsite Sign Design

NORTH CAROLINA D.O.T. SIGN DETAIL

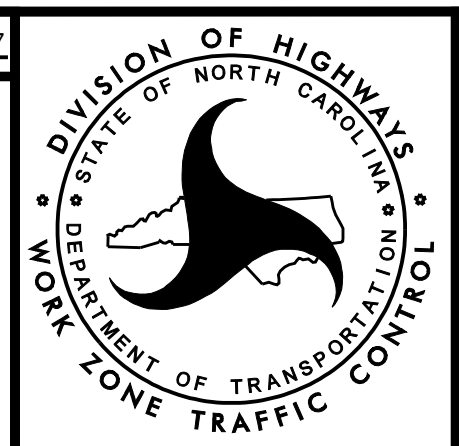


DOCUMENT NOT CONSIDERED FINAL UNLESS ALL SIGNATURES COMPLETED

REFER TO ROADWAY STANDARD DRAWING #1101.03, SHEET 1 OF 9 FOR APPLICABLE NOTES.

PLAN PREPARED IN THE OFFICE OF: PROGRESSIVE DESIGN GROUP, INC. ENGINEERS • CONSULTANTS

APPROVED: [Signature] DATE: 6/26/2017 SEAL: [Professional Seal]



TRANSPORTATION MANAGEMENT PLAN OFFSITE DETOUR ROUTES