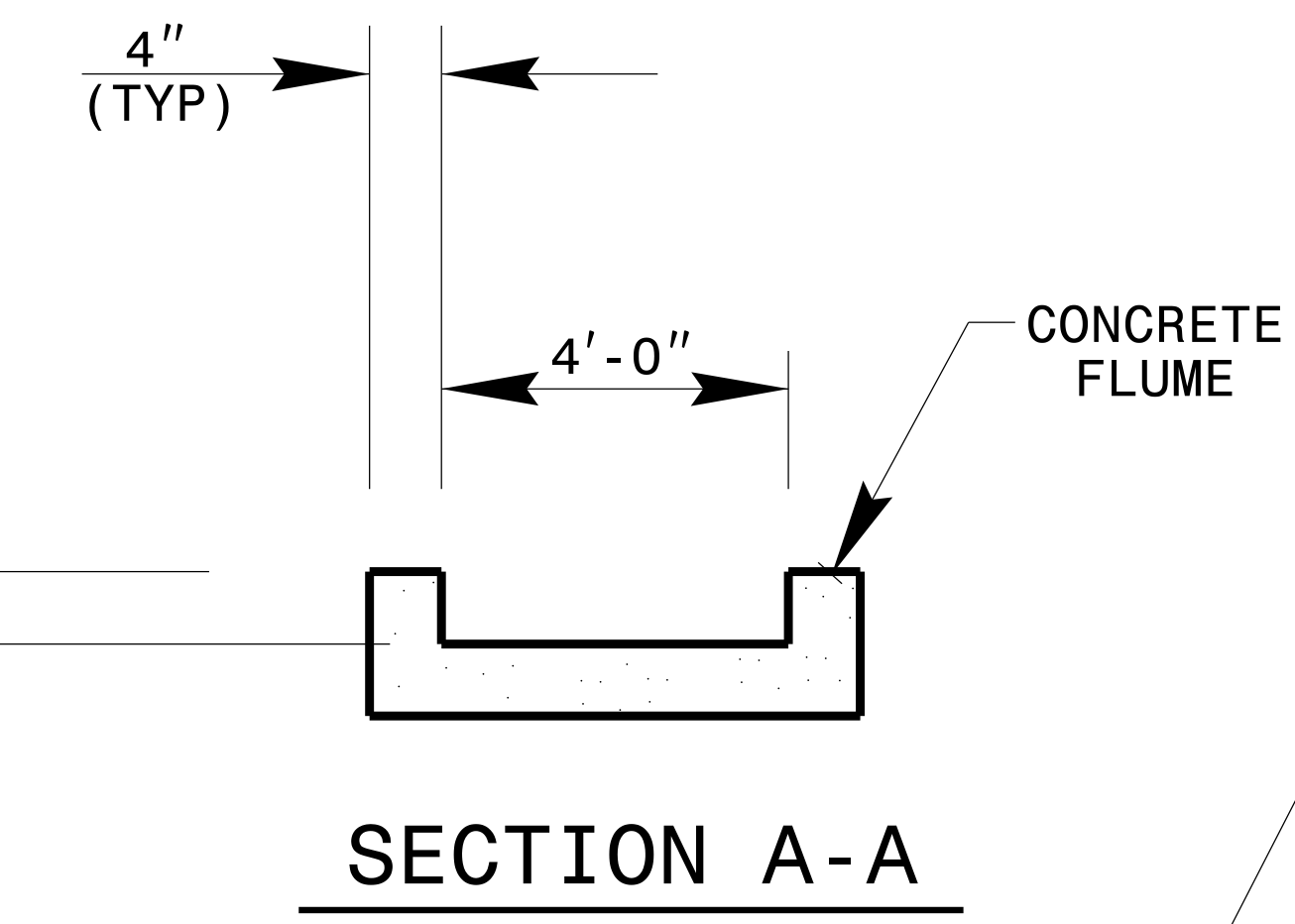


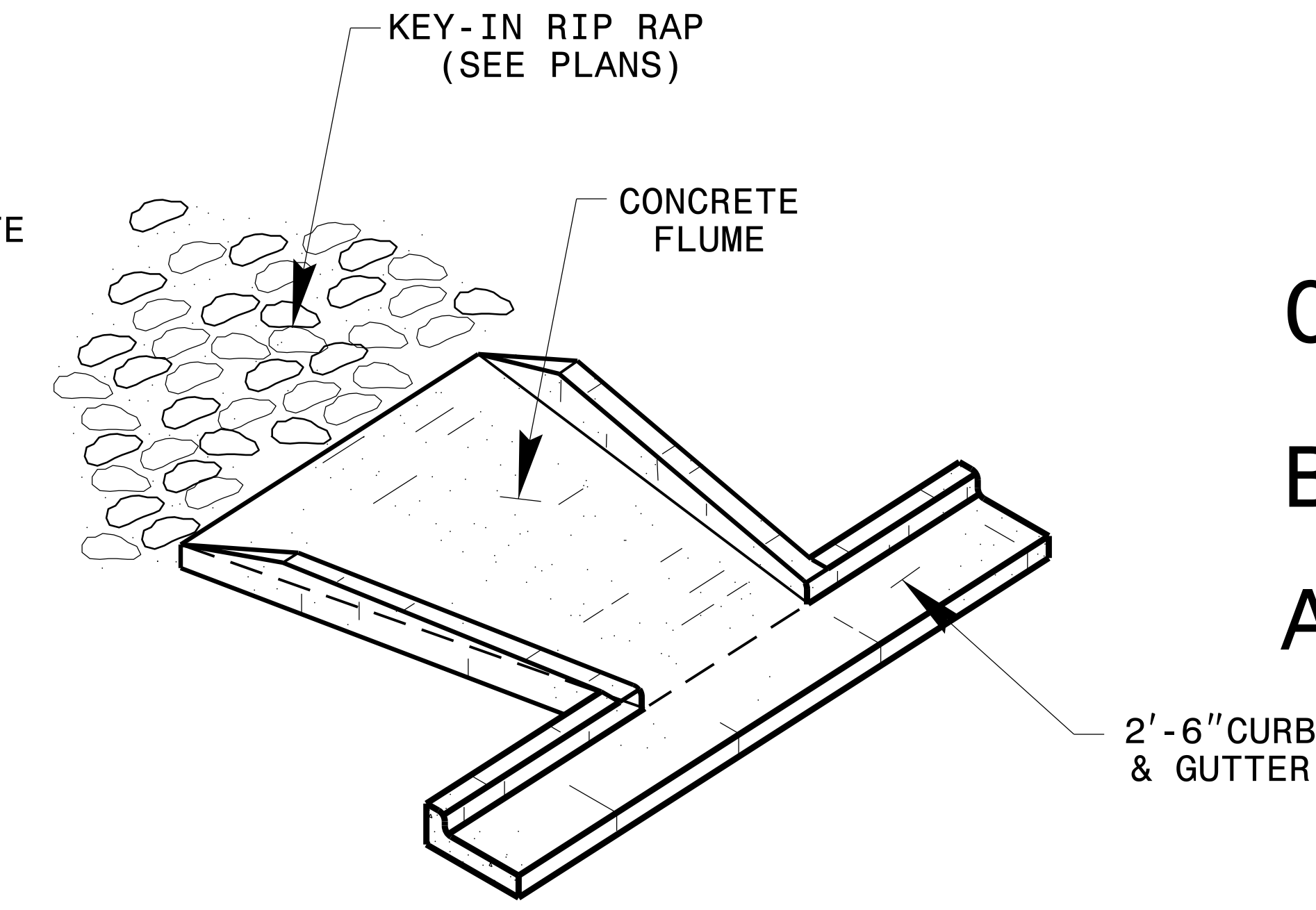
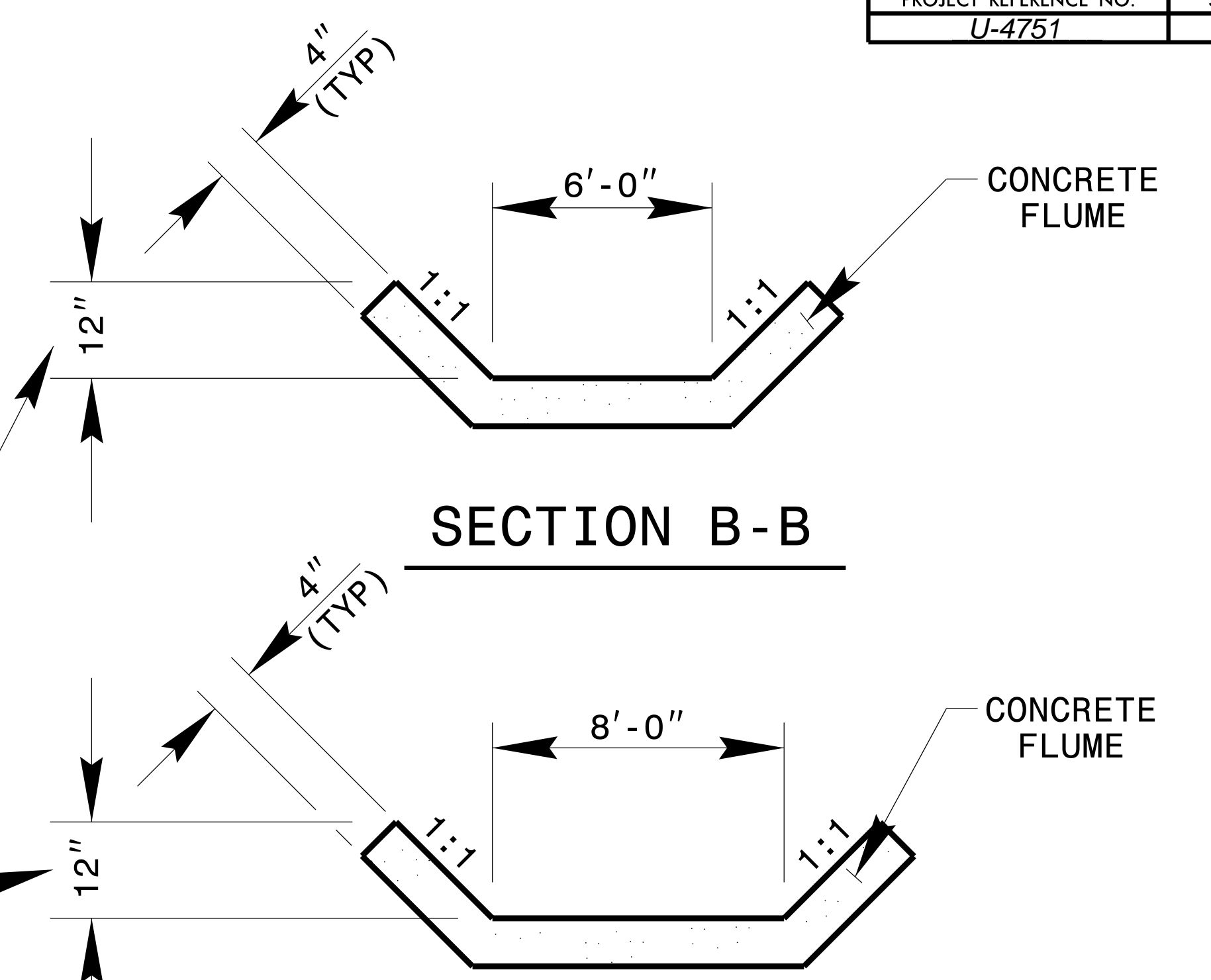
ELEVATION

* LENGTH VARIABLE WITH DITCH SLOPE

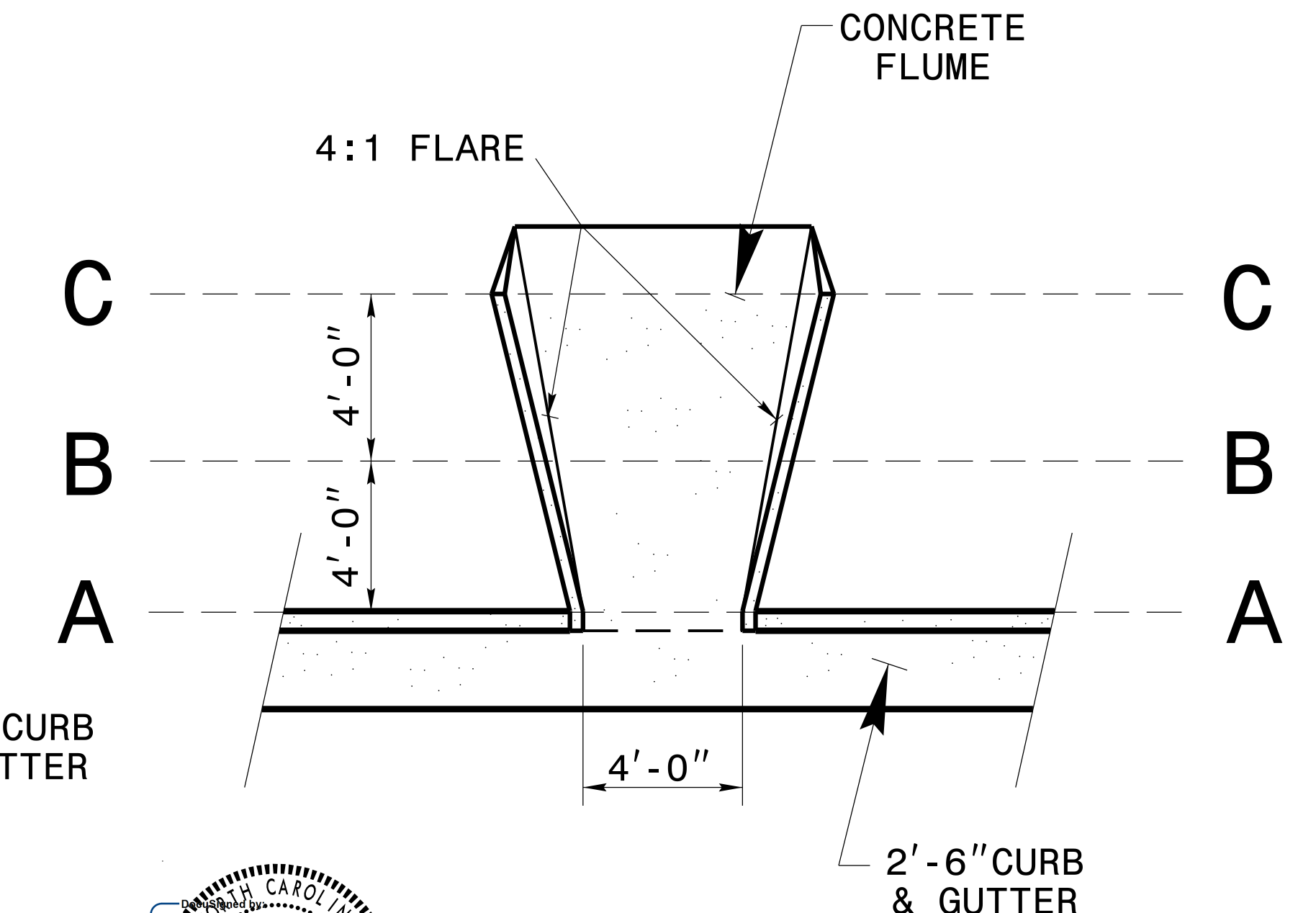


SECTION A-A

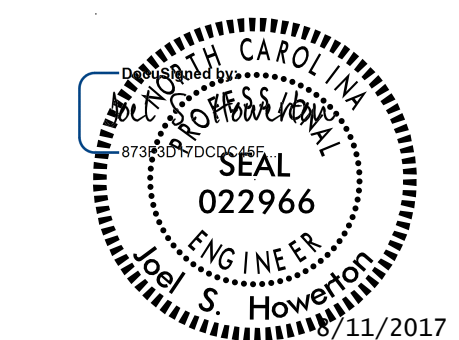
FLUME SIDES SHOULD BE FLUSH WITH ADJACENT GROUND LINE TO A MAX. HEIGHT OF 12"



PERSPECTIVE



PLAN



- NOTES:
- CONSTRUCT CONCRETE FLUME IN ACCORDANCE WITH THIS DETAIL.
 - RIP RAP LINED DITCH WILL BE THE TYPE AND LENGTH SPECIFIED BY THE ROADWAY PLANS. PLACE RIP-RAP AT THE END OF THE DITCH AS INDICATED BY STD. DWG. 876.02 FOR AN 18" PIPE.
 - MODIFICATIONS MAY BE MADE AS DIRECTED BY THE ENGINEER.

CONTRACT STANDARDS & DEVELOPMENT UNIT
STANDARDS AND SPECIAL DESIGN
Office 919-707-6950 FAX 919-250-4119

CONCRETE FLUME

ORIGINAL BY: _____ DATE: _____
 MODIFIED BY: nbritt DATE: 05-11-04
 CHECKED BY: _____ DATE: _____
 FILE SPEC.: details\nbritt\metric\2201modifiedflume.dgn