

6/2/2017

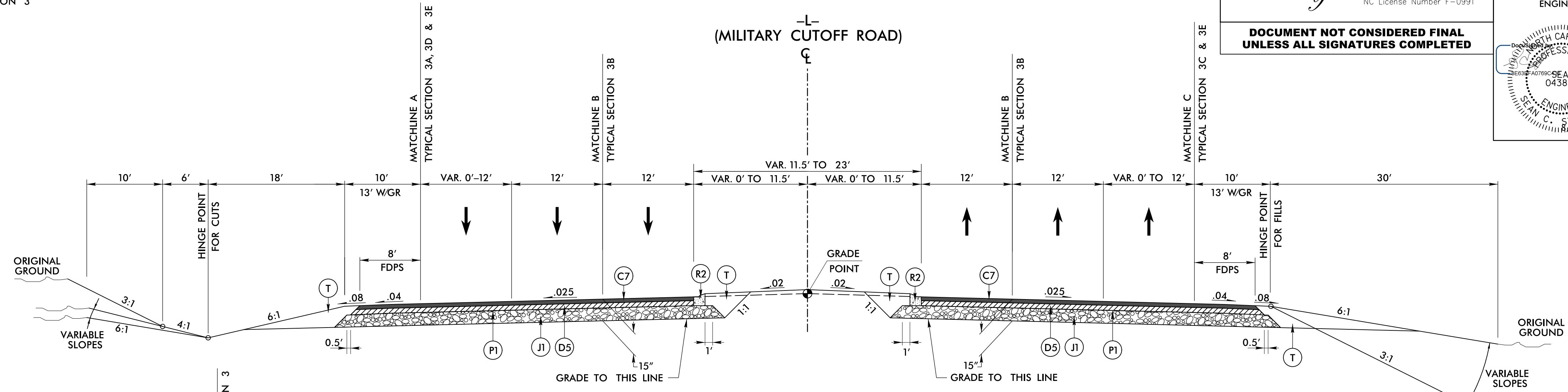
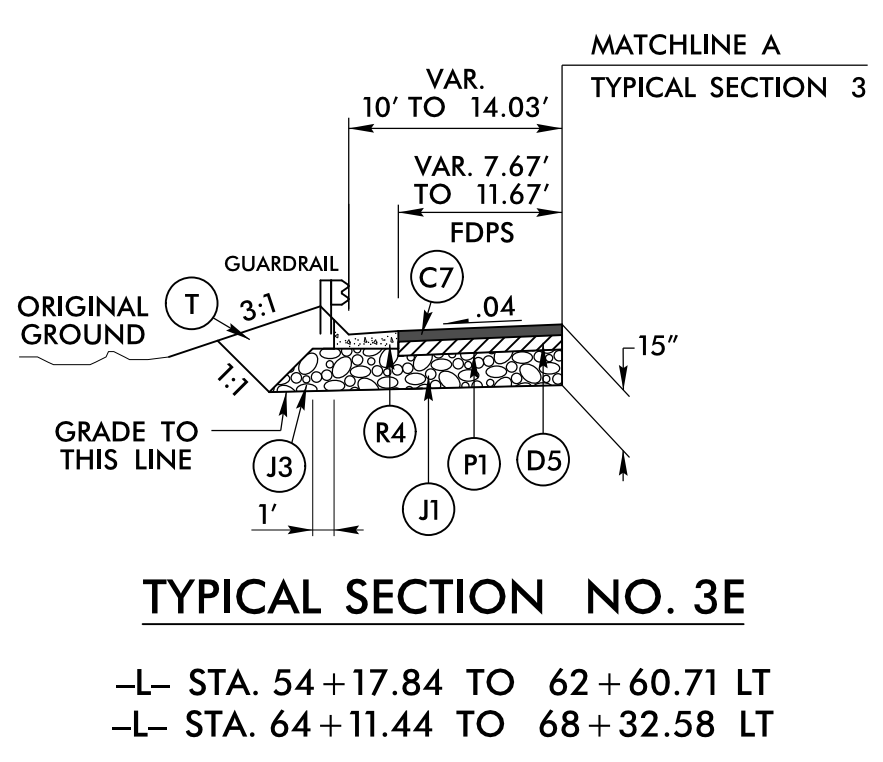
STV 100 Years
 STV Engineers, Inc.
 900 West Trade St., Suite 715
 Charlotte, NC 28202
 NC License Number F-0991

**DOCUMENT NOT CONSIDERED FINAL
 UNLESS ALL SIGNATURES COMPLETED**

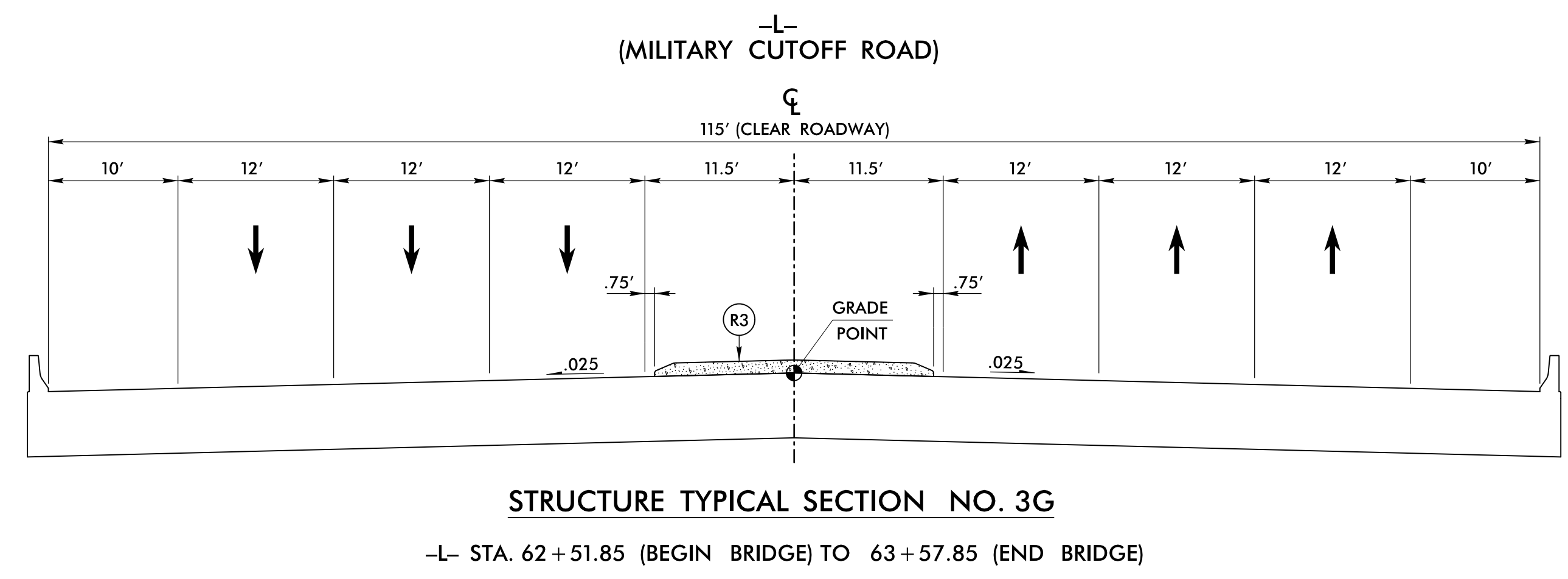
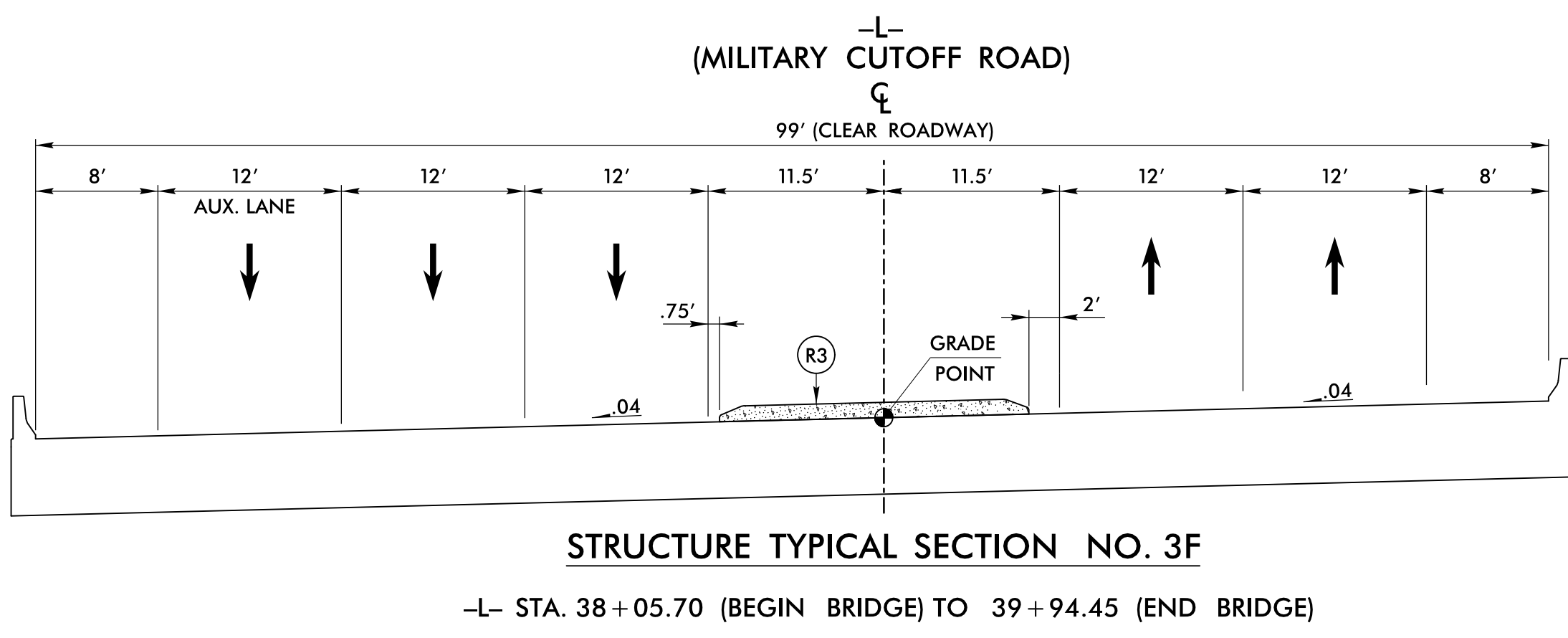
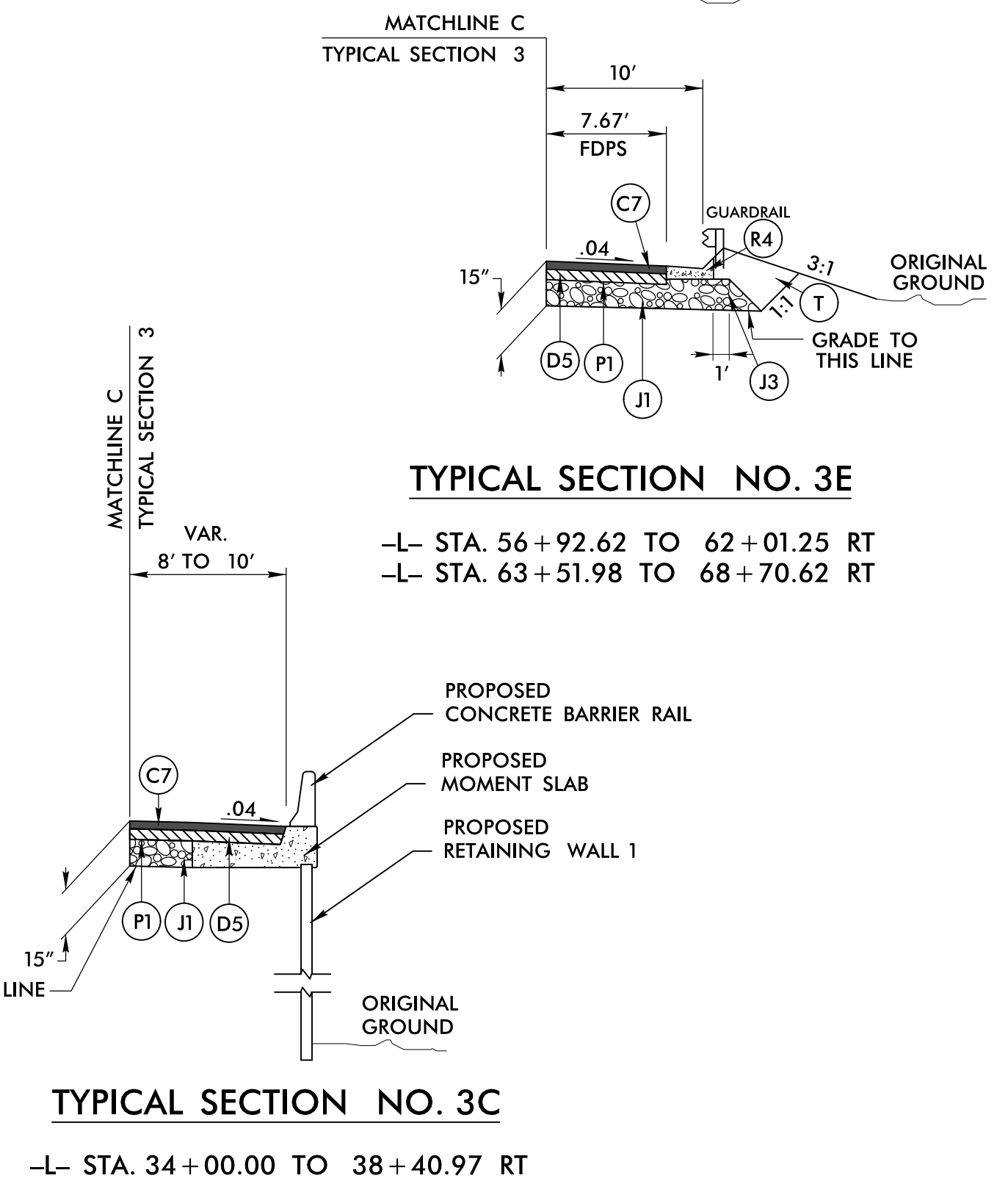
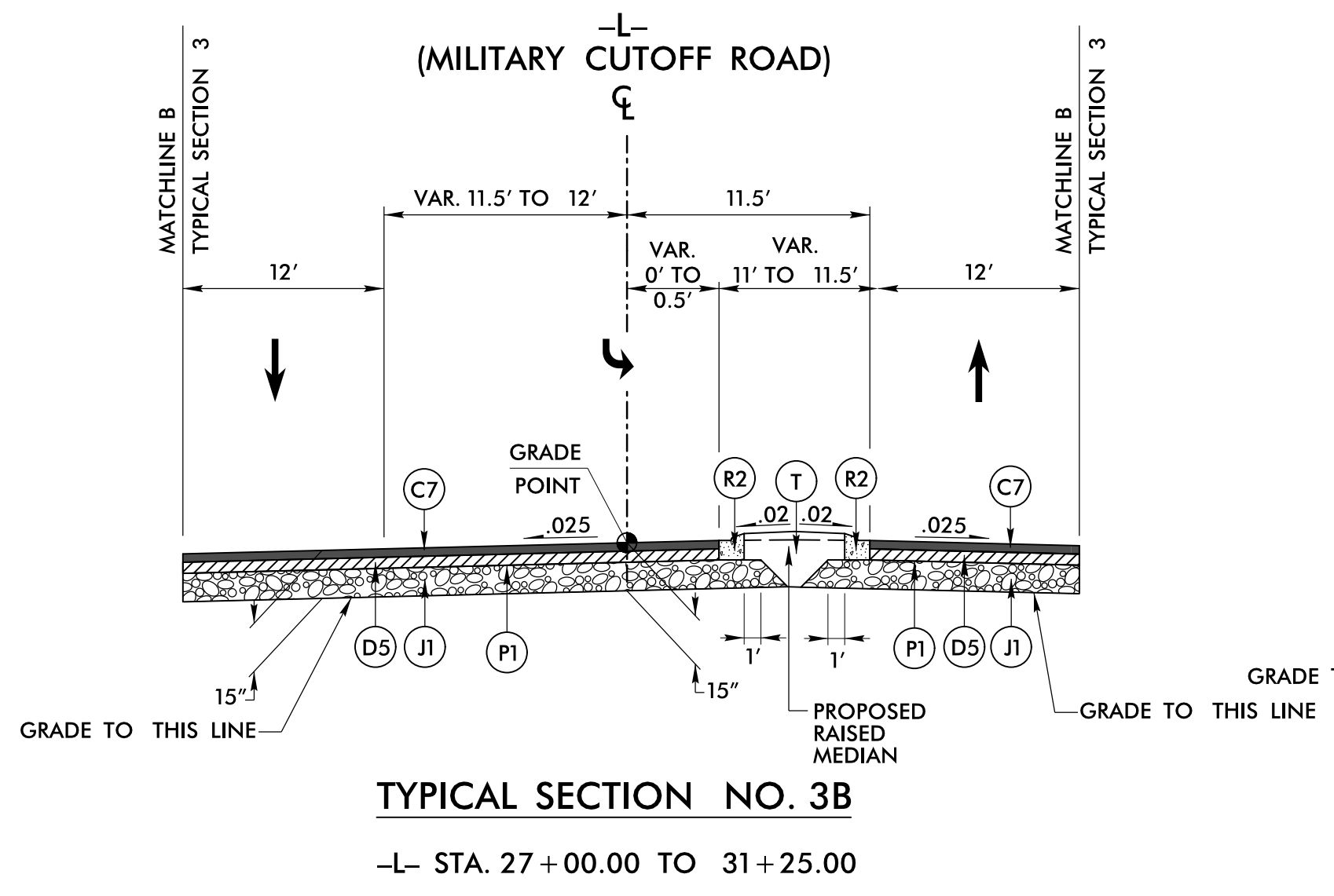
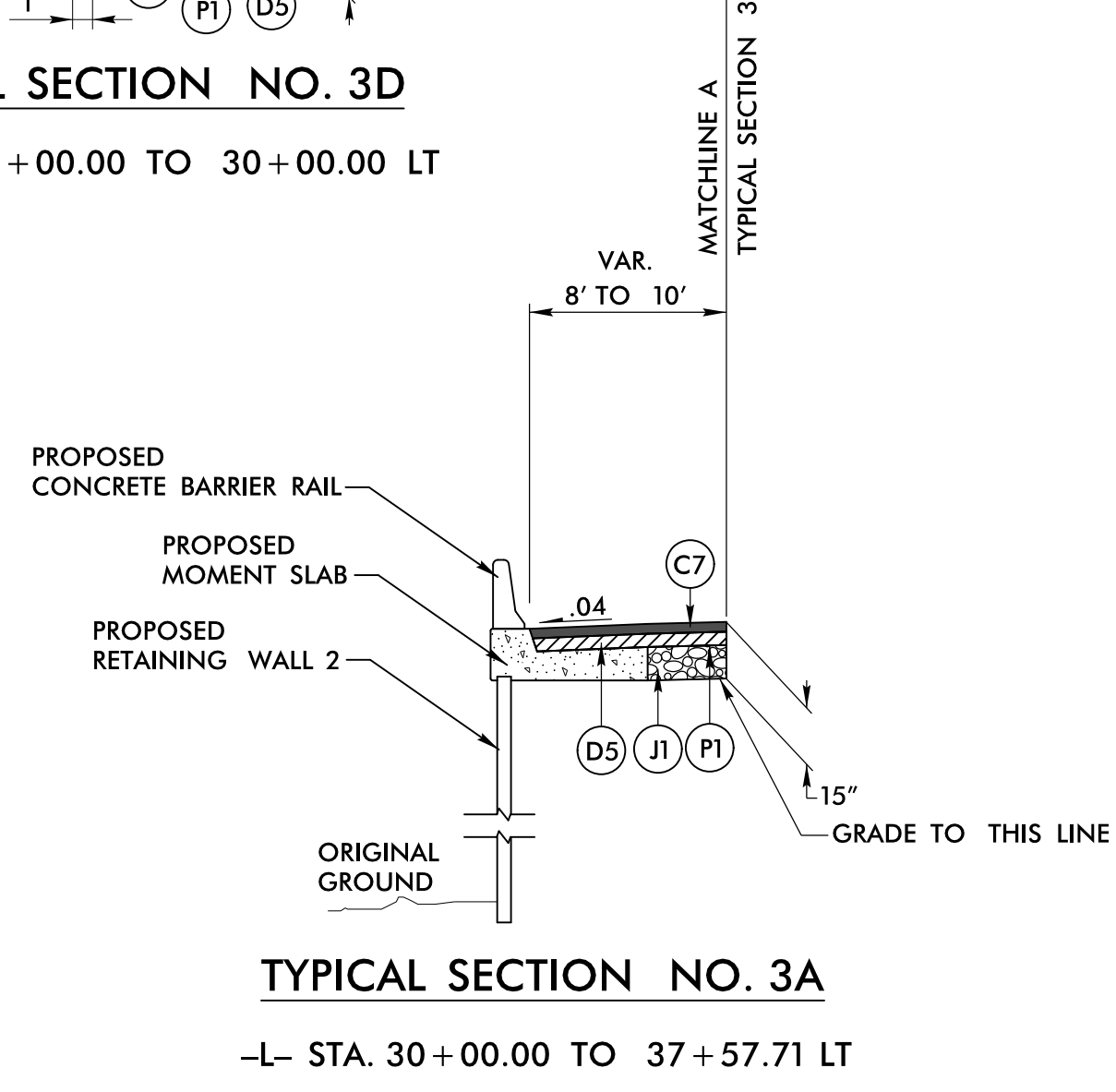
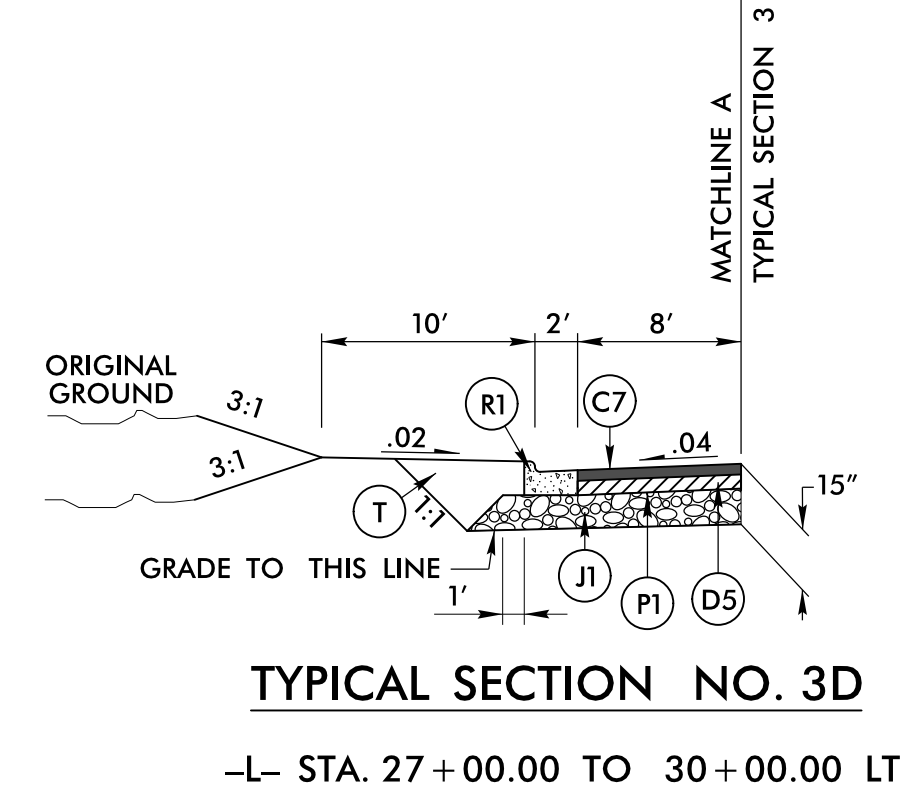
PROJECT REFERENCE NO. U-4751	SHEET NO. 2A-2
ROADWAY DESIGN ENGINEER	PAVEMENT DESIGN ENGINEER

Professional Engineer Seal: J. G. STEPHENSON, No. 043891, Exp. 12/31/2017

Professional Engineer Seal: CLARK S. MORRISON, No. 022896, Exp. 12/31/2017



C1	1.5" S9.5B
C2	2.0" S9.5B
C3	2.5" S9.5B
C4	3.0" S9.5B
C5	VAR. S9.5B
C6	1.5" S9.5C
C7	3.0" S9.5C
C8	VAR. S9.5C
D1	2.5" I19.0B
D2	3.0" I19.0B
D3	4.0" I19.0B
D4	VAR. I19.0B
D5	4.0" I19.0C
D6	VAR. I19.0C
E1	4.0" B25.0B
E2	4.5" B25.0B
E3	VAR. B25.0B
E4	4.5" B25.0C
E5	5.5" B25.0C
E6	7.0" B25.0C
E7	VAR. B25.0C
J1	8.0" ABC
J2	6.0" ABC
J3	VAR. DEPTH ABC
P1	PRIME COAT
R1	2' - 6" C&G
R2	1' - 6" C&G
R3	5" MONO. ISLAND
R4	SHOULDER BERM GUTTER
R5	2.0' VALLEY GUTTER
R6	CONC. BARRIER, TYPE T
R7	CONC. BARRIER, SINGLE
R8	2' - 9" C&G
S	CONC. SIDEWALK
T	EARTH MATERIAL
U	EXISTING PAVEMENT
V	MILLING
W	WEDGING
Y	MILLED RUMBLE STRIPS



6/2/2017
 P:\proj\4751\RDY_psh\02A_TYP.dgn
 12:34:00 PM
 JG