

**This electronic collection of documents is provided
for the convenience of the user
and is Not a Certified Document –**

**The documents contained herein were originally issued
and sealed by the individuals whose names and license
numbers appear on each page, on the dates appearing
with their signature on that page.**


**This file or an individual page
shall not be considered a certified document.**

**STATE OF NORTH CAROLINA
DEPARTMENT OF TRANSPORTATION**

SIGNING PLAN

NEW HANOVER COUNTY

LOCATION: REPLACE BRIDGE 19 OVER LORDS CREEK ON SR 1100 (RIVER RD.)

TIP NO. B-5236	SHEET NO. SIGN-1
APPROVED: <i>Ayman Alqudwah</i> F30A5CAF966472	
DATE: 6/16/2017	
	
DOCUMENT NOT CONSIDERED FINAL UNLESS ALL SIGNATURES COMPLETED	

SUMMARY OF QUANTITIES

ITEM NO.	ITEM DESCRIPTION		QUANTITY	UNIT
DESC. NO.	SECT. NO.			
4155000000	907	DISPOSAL OF SIGN SYSTEM, U-CHANNEL	6	EA.

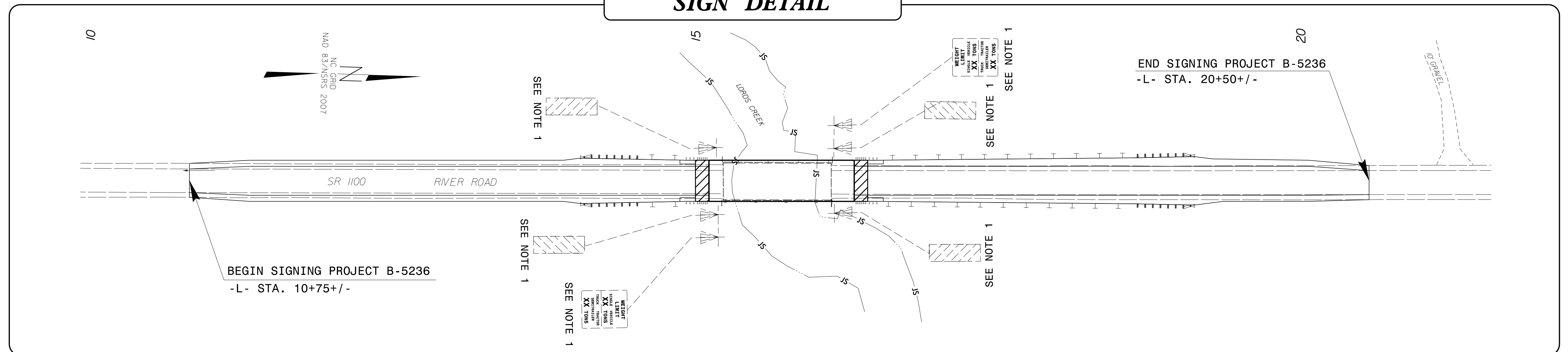
GENERAL NOTES

- SIGNING PLANS DO NOT INCLUDE TEMPORARY CONSTRUCTION SIGNING. SEE TRAFFIC CONTROL PLANS
- ALL EXISTING SIGNS ON "U" CHANNEL/WOOD POST WITHIN THE PROJECT LIMITS SHALL BE REMOVED AND DISPOSED OF UNLESS OTHERWISE NOTED ON PLANS.
- SEE ROADWAY PLANS FOR GUARD/GUIDE RAIL DETAILS.

PROJECT NOTES

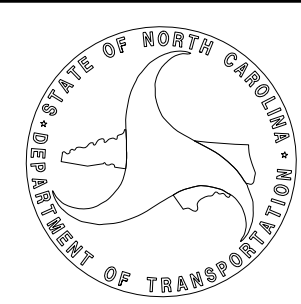
- | | |
|---|------------------------------------|
| 1 | DISPOSAL OF SIGN SYSTEM, U-CHANNEL |
|---|------------------------------------|

SIGN DETAIL



PLAN PREPARED BY: N.C.D.O.T. SIGNING AND DELINEATION UNIT

AYMAN ALQUDWAH, P.E. SIGNING & DELINEATION REGIONAL ENGINEER
ERIC E WARD SIGNING & DELINEATION PROJECT DESIGN ENGINEER



INDEX

SHEET NO.	DESCRIPTION
SIGN-1	TITLE SHEET, SIGN DETAIL, NOTES

5/3/2017 P:\TIPProjects-B\B5236\Traffic\Signing\CADD\Signing Layout Plans\B5236_Sgn_SGN.dgn User:ericward

T.I.P.: B-5236

CONTRACT: C203957