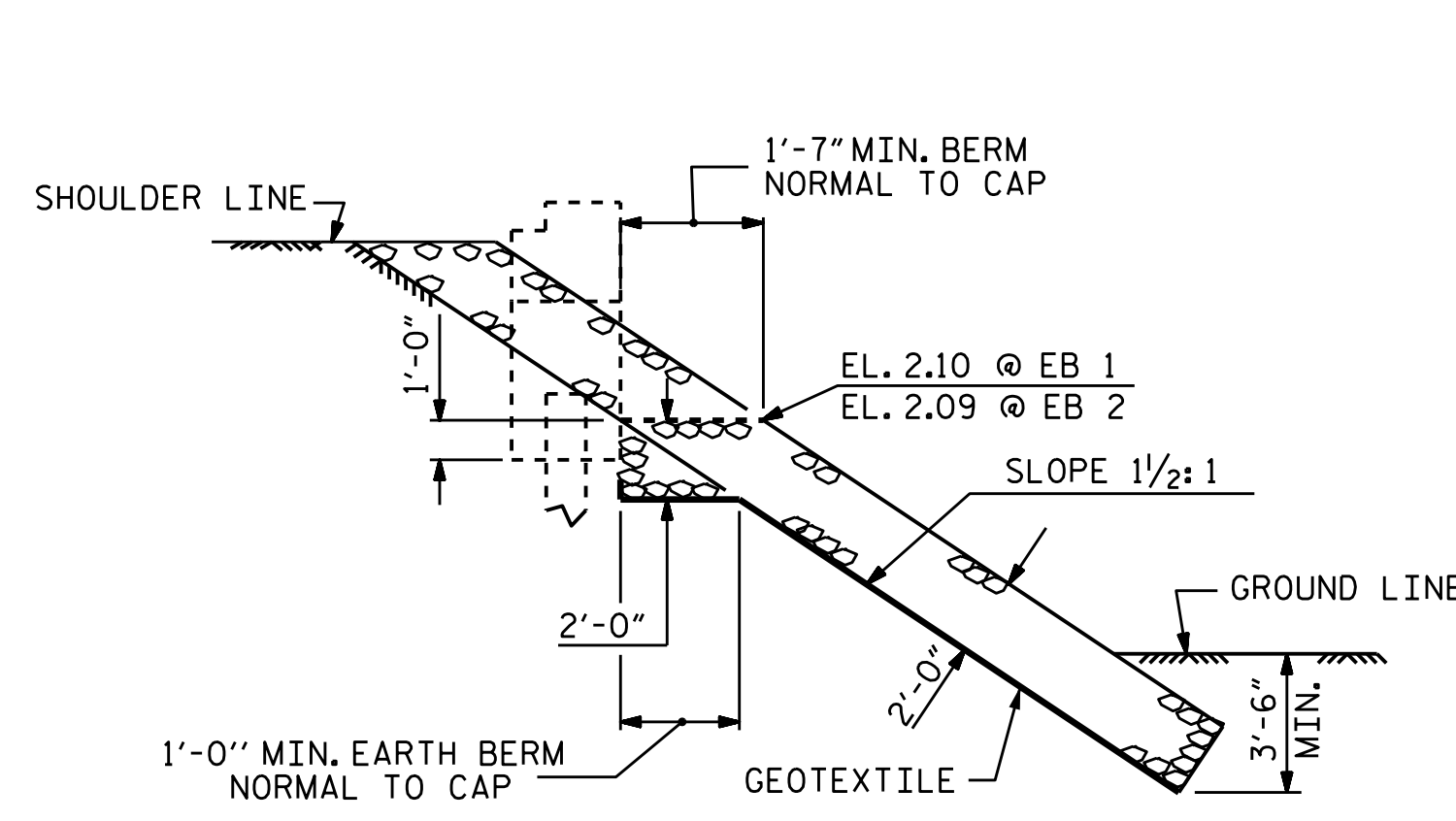
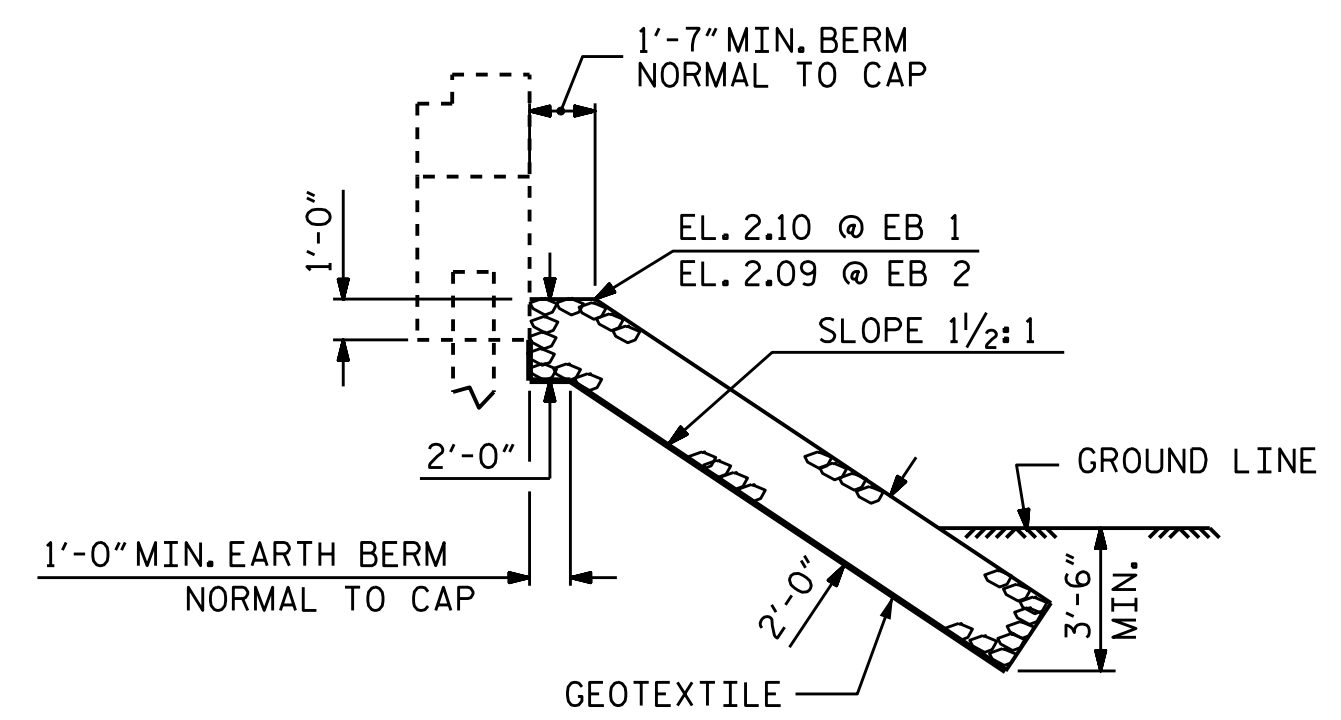


PLAN

ESTIMATED QUANTITIES		
BRIDGE @ STA. 15+64.40 -L-	RIP RAP CLASS II (2'-0" THICK)	GEOTEXTILE FOR DRAINAGE
	TONS	SQUARE YARDS
END BENT 1	45	50
END BENT 2	45	50

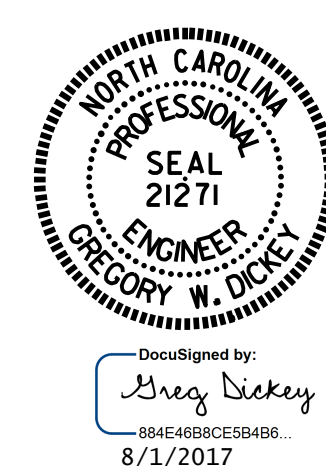


SECTION H-H



SECTION C-C  
BERM RIP RAPPED

PROJECT NO. B-5236  
 NEW HANOVER COUNTY  
 STATION: 15+64.40 -L-



STATE OF NORTH CAROLINA  
 DEPARTMENT OF TRANSPORTATION  
 RALEIGH

—RIP RAP DETAILS—

DRAWN BY : H. B. DESAI DATE : 03/17  
 CHECKED BY : M. K. BEARD DATE : 03/17  
 DESIGN ENGINEER OF RECORD : A. K. PATEL DATE : 06/17

DOCUMENT NOT CONSIDERED FINAL UNLESS ALL SIGNATURES COMPLETED

REVISIONS						SHEET NO.
NO.	BY:	DATE:	NO.	BY:	DATE:	S-34
1			3			TOTAL SHEETS
2			4			35