

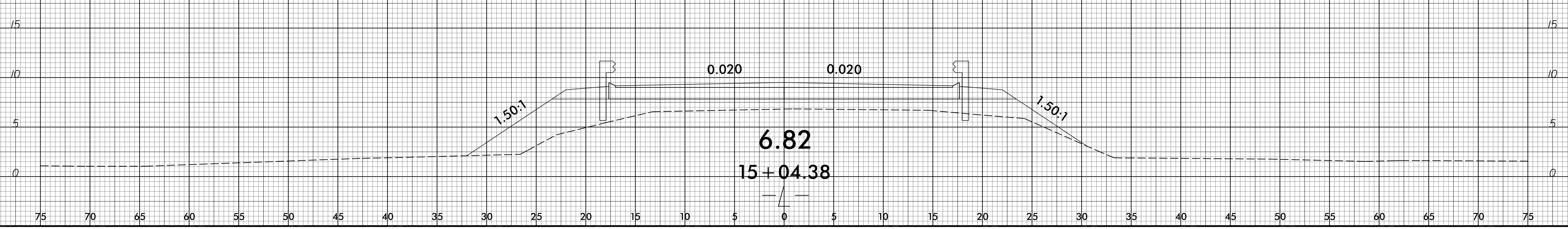
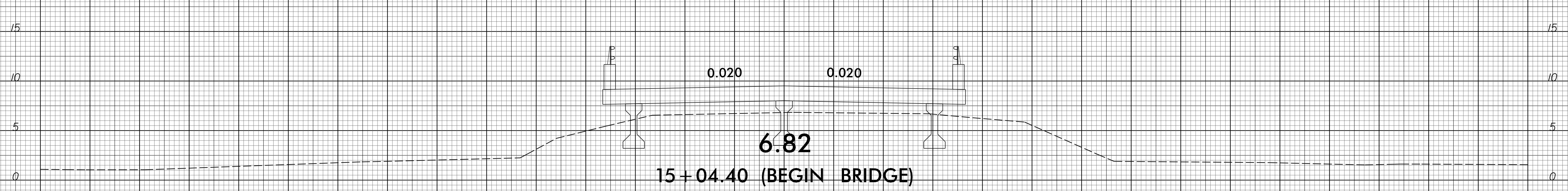
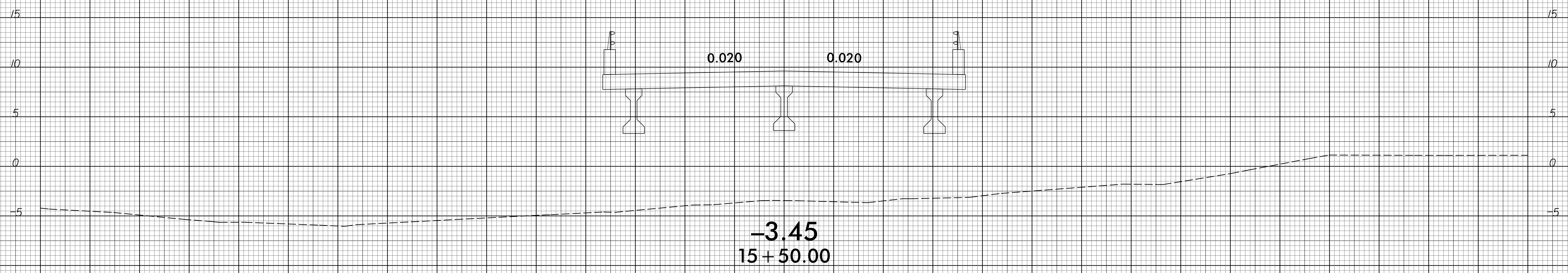
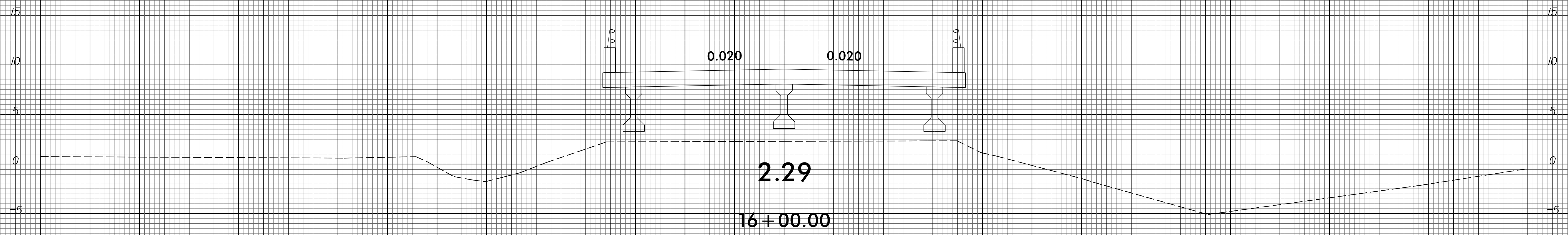
6/23/16



PROJ. REFERENCE NO.  
B-5236

SHEET NO.  
X-3

75 70 65 60 55 50 45 40 35 30 25 20 15 10 5 0 5 10 15 20 25 30 35 40 45 50 55 60 65 70 75



75 70 65 60 55 50 45 40 35 30 25 20 15 10 5 0 5 10 15 20 25 30 35 40 45 50 55 60 65 70 75

I:\APR-2017 08:23  
S:\PROJECTS\B5236\150-Modeling\B5236\_Fdy\_xpl.dgn  
B5236.dwg