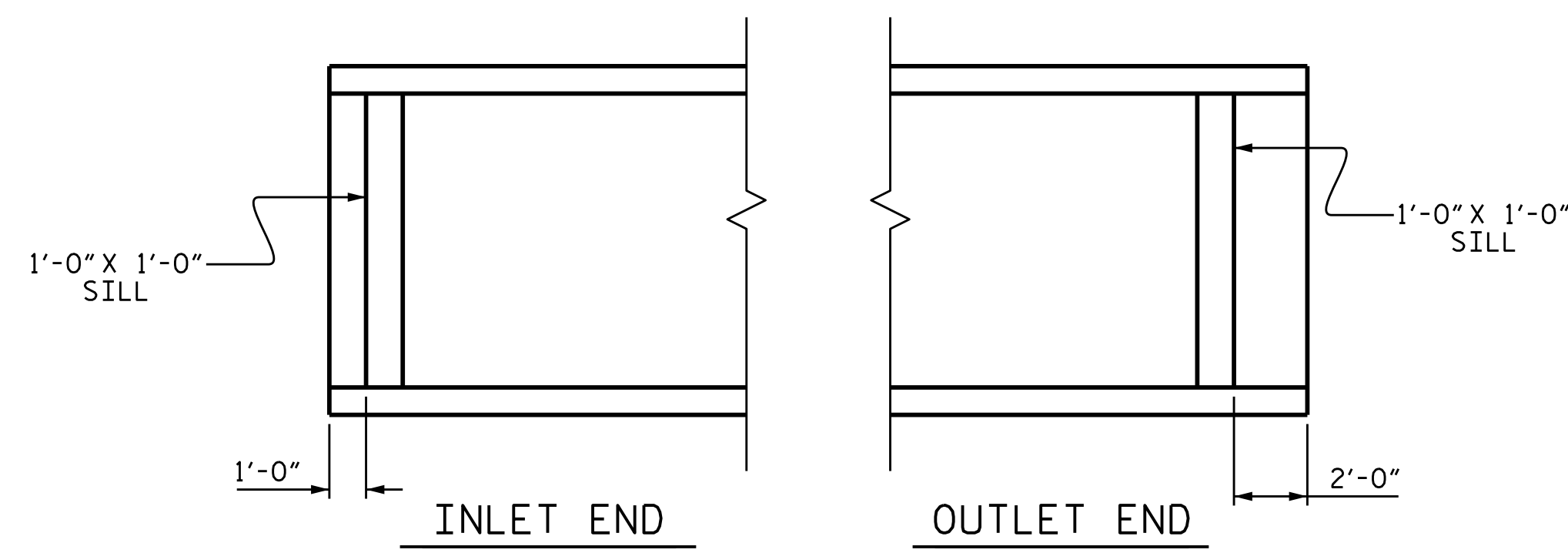
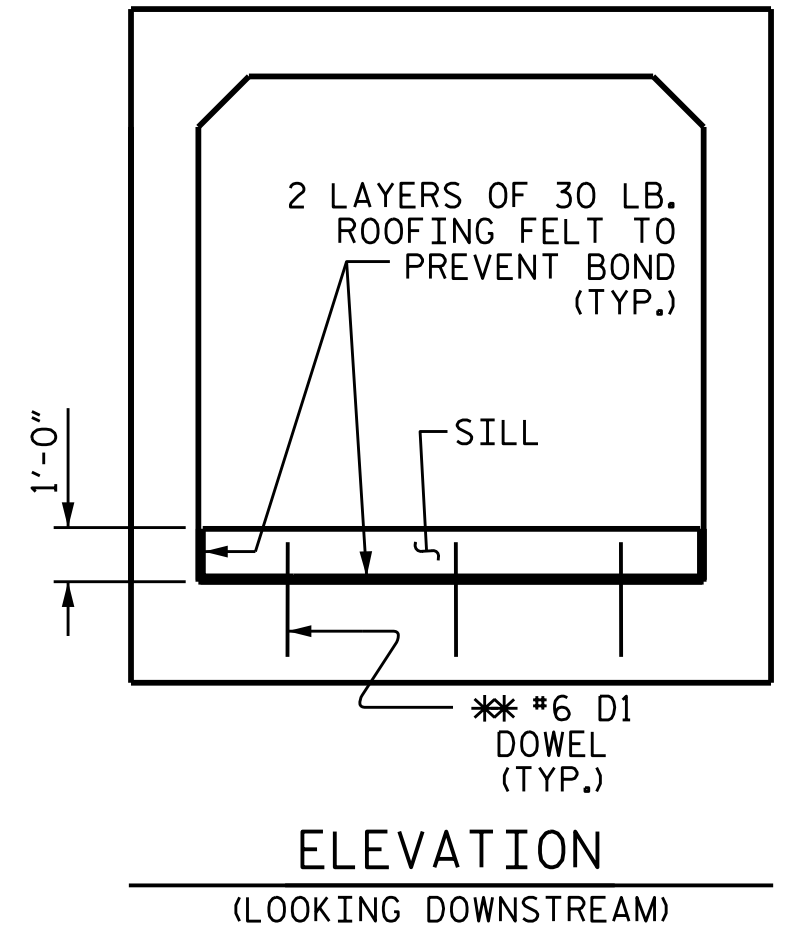


PART PLAN - ROOF SLAB

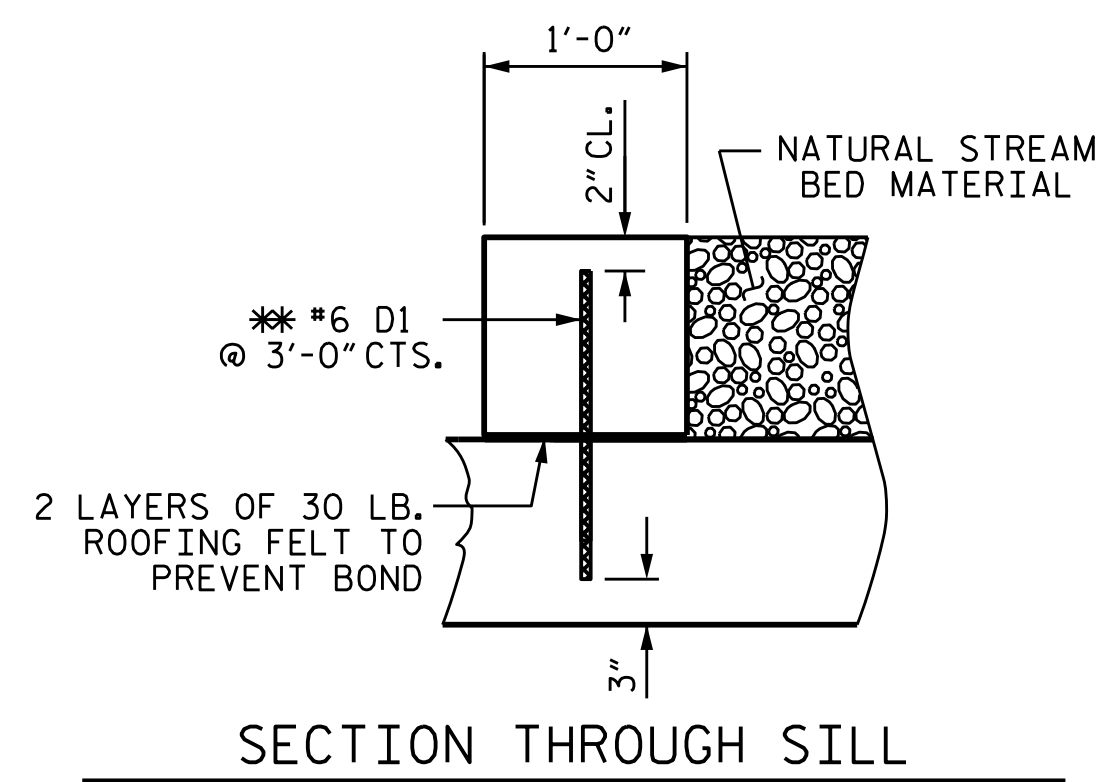
PART PLAN - FLOOR SLAB



PLAN



ELEVATION
(LOOKING DOWNSTREAM)



SECTION THROUGH SILL
* DOWELS MAY BE PUSHED INTO GREEN CONCRETE AFTER SLAB HAS BEEN FLOAT FINISHED.

CULVERT SILL DETAILS

SPLICE LENGTH CHART		
BAR	SIZE	SPLICE LENGTH
B1	#4	1'-5"
C1	#4	1'-11"

BAR TYPE					
DIMENSIONS ARE OUT TO OUT.					
BILL OF MATERIAL					
BAR	NO.	SIZE	TYPE	LENGTH	WEIGHT
A1	944	#4	1	7'-2"	4519
A2	944	#4	1	6'-4"	3994
A100	890	#5	STR.	9'-7"	8896
A200	1002	#5	STR.	9'-7"	10015
B1	668	#4	STR.	10'-5"	4648
B2	942	#4	STR.	7'-4"	4615
C1	588	#4	STR.	29'-9"	11685
D1	6	#6	STR.	2'-1"	19
F1	68	#4	STR.	4'-5"	201
G1	4	#4	STR.	9'-8"	26
REINFORCING STEEL					LBS. 48,618

NOTES

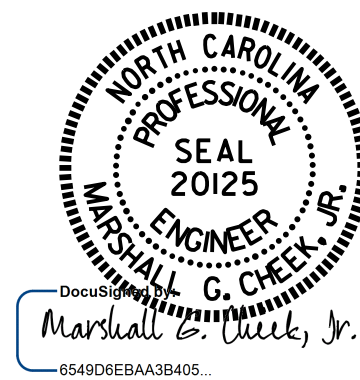
MATERIAL EXCAVATED FROM THE EXISTING BED SHALL BE STOCKPILED FOR USE IN THE PROPOSED CULVERT AS SHOWN IN THE "PLAN VIEW". BED MATERIAL SHALL BE SUPPLEMENTED WITH CLASS "B" RIP RAP AS NECESSARY. IF CLASS "B" RIP RAP IS USED, NATURAL MATERIAL SHALL BE PLACED ON TOP AND LEVELED TO FACILITATE ANIMAL PASSAGE. BED MATERIAL SHALL BE SUBJECT TO APPROVAL BY THE ENGINEER.

THE ENTIRE COST OF WORK REQUIRED TO PLACE THE EXCAVATED MATERIAL OR SUPPLEMENTAL MATERIAL AS SHOWN ON THE PLANS SHALL BE INCLUDED IN THE CONTRACT LUMP SUM PRICE BID FOR CULVERT EXCAVATION.

THE ENTIRE COST OF WORK REQUIRED TO CONSTRUCT THE SILLS SHALL BE INCLUDED IN THE VARIOUS PAY ITEMS.

PROJECT NO. U-2579C
 FORSYTH COUNTY
 STATION: 437+96.50 -L-

SHEET 4 OF 5



STATE OF NORTH CAROLINA
 DEPARTMENT OF TRANSPORTATION
 RALEIGH
 SINGLE 8 FT. X 8 FT.
 CONCRETE BOX CULVERT
 90° SKEW

REVISIONS						SHEET NO. C2-4
NO.	BY:	DATE:	NO.	BY:	DATE:	
1			3			TOTAL SHEETS 5
2			4			

DOCUMENT NOT CONSIDERED FINAL UNLESS ALL SIGNATURES COMPLETED

ASSEMBLED BY : N.D'AIUTO DATE : 3/31/16
 CHECKED BY : H.A.LOCKLEAR DATE : 4/6/16
 DESIGN ENGINEER OF RECORD: J.K.BOWLES DATE : 4/6/16

STR. #6