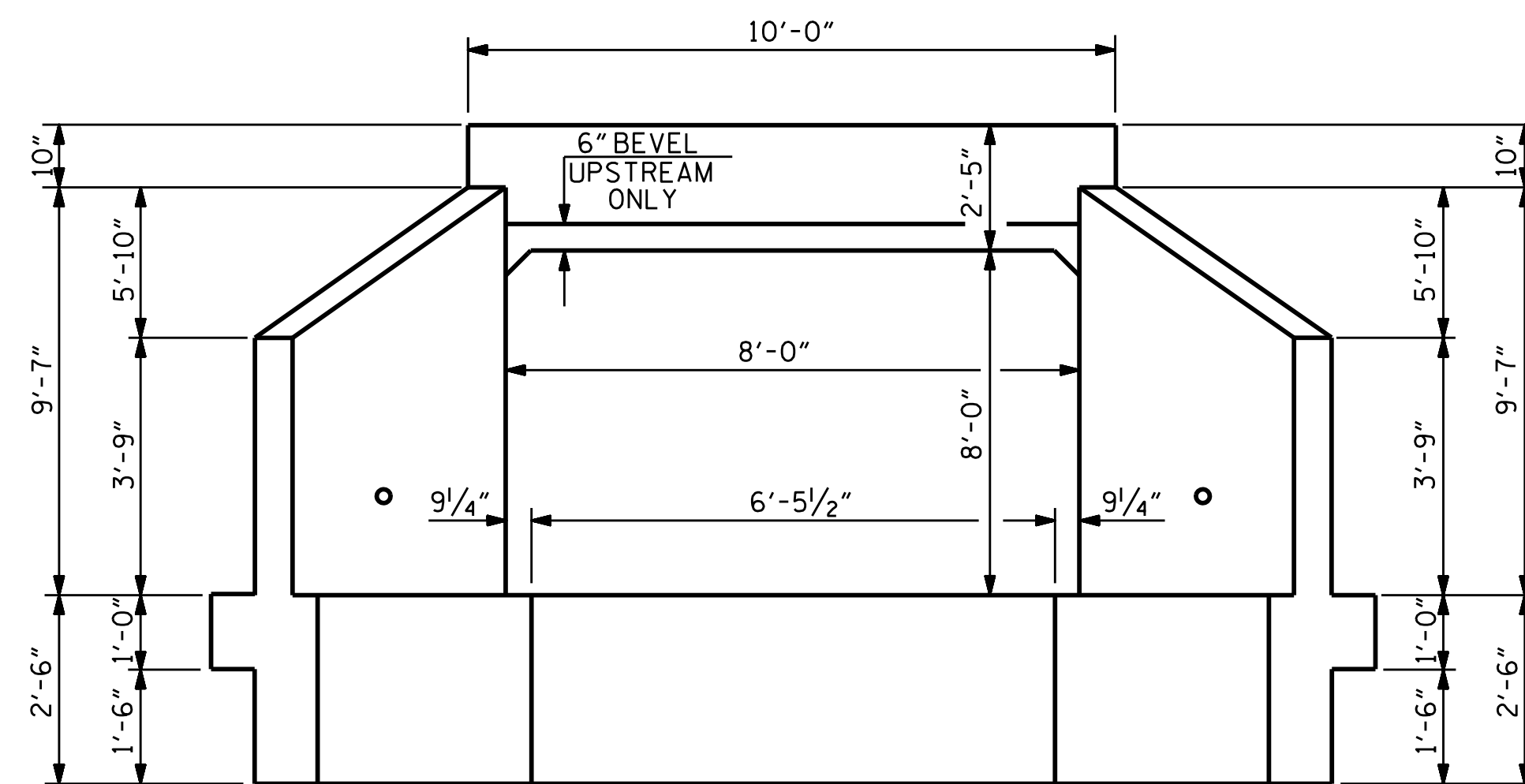
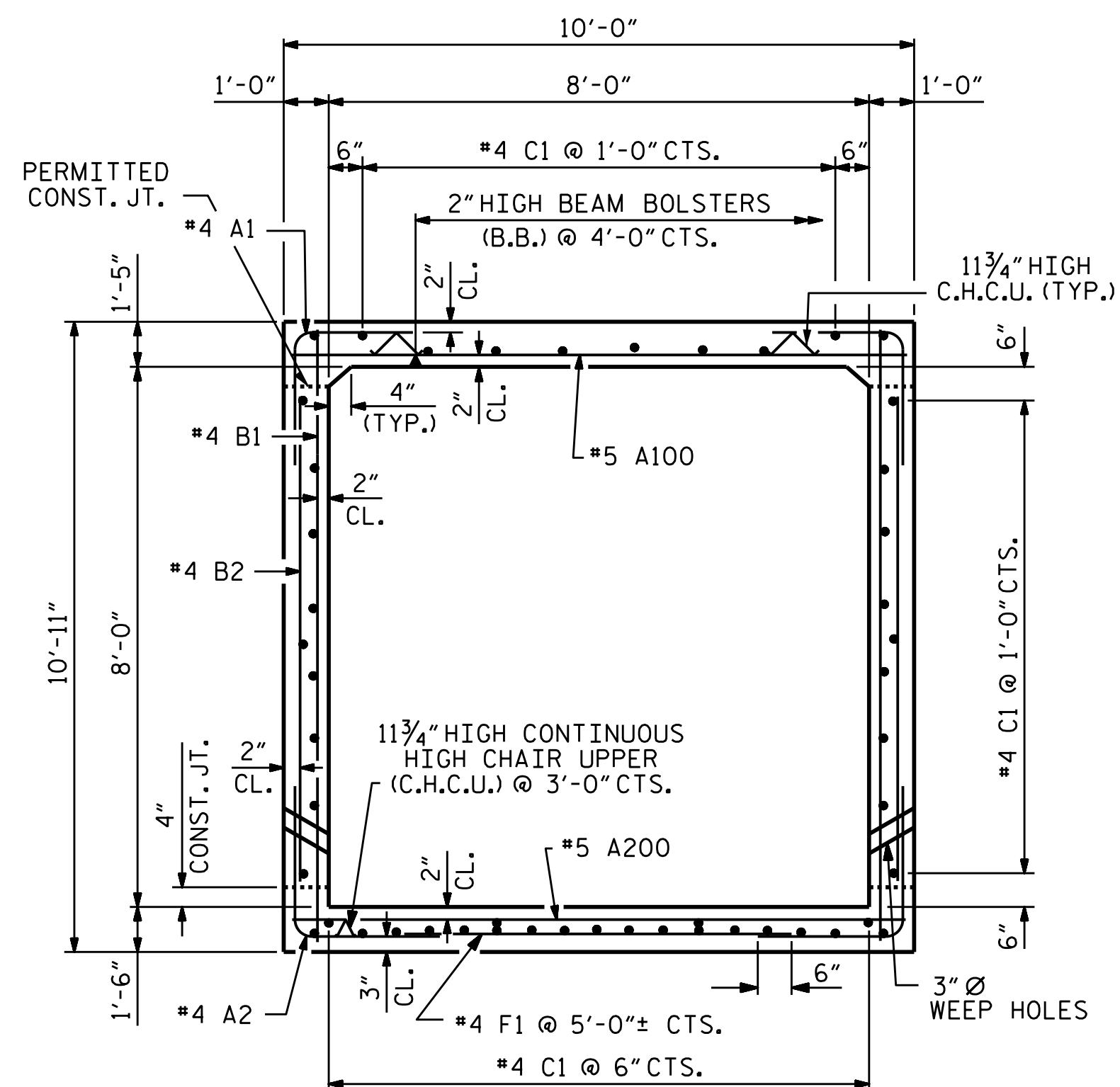


CULVERT SECTION NORMAL TO ROADWAY

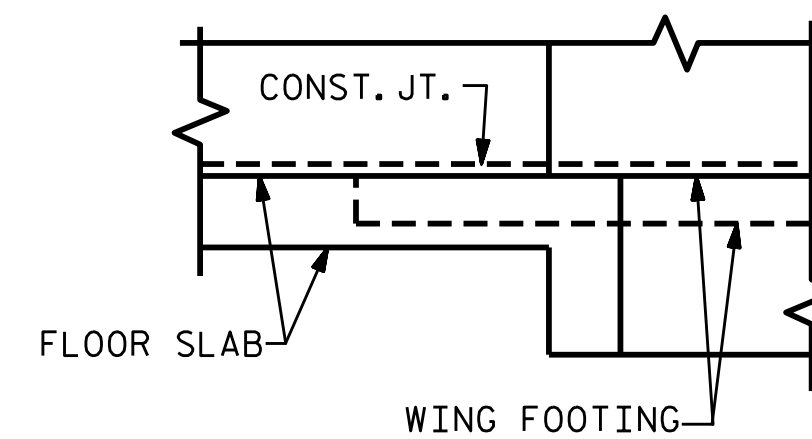
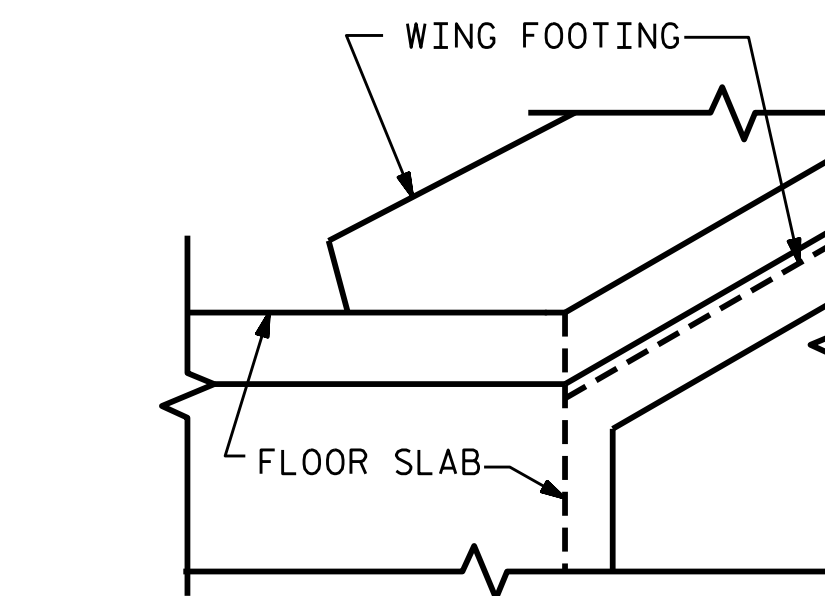


END ELEVATION



RIGHT ANGLE SECTION OF BARREL

THERE ARE 49 "C" BARS IN SECTION OF BARREL



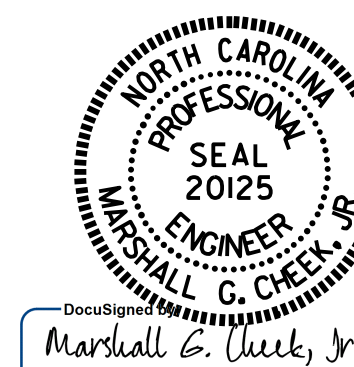
DETAIL

CONNECTION OF WING FOOTING AND FLOOR SLAB WHEN SLAB IS THICKER THAN FOOTING

PROJECT NO. U-2579C
FORSYTH COUNTY
 STATION: 437+96.50 -L-

SHEET 3 OF 5

STATE OF NORTH CAROLINA
 DEPARTMENT OF TRANSPORTATION
 RALEIGH
 SINGLE 8 FT. X 8 FT.
 CONCRETE BOX CULVERT
 90° SKEW



7/27/2017

REVISIONS						SHEET NO. C2-3
NO.	BY:	DATE:	NO.	BY:	DATE:	
1			3			TOTAL SHEETS 5
2			4			

DOCUMENT NOT CONSIDERED FINAL UNLESS ALL SIGNATURES COMPLETED

STR. #6 STD. NO. CB11

REVISED 8-28-92 BY E.L.R. CHECKED BY G.R.P.
 REVISED 6-25-98 BY A.N.B. CHECKED BY C.R.K.
 REDRAWN 8-22-1983
 REVISED 11-19-99 BY M.M. CHECKED BY R.W.W.

DRAWN BY : N.D. AIUTO DATE : 3/30/16
 CHECKED BY : H.A. LOCKLEAR DATE : 4/6/16
 DESIGN ENGINEER OF RECORD: J.K. BOWLES DATE : 4/6/16