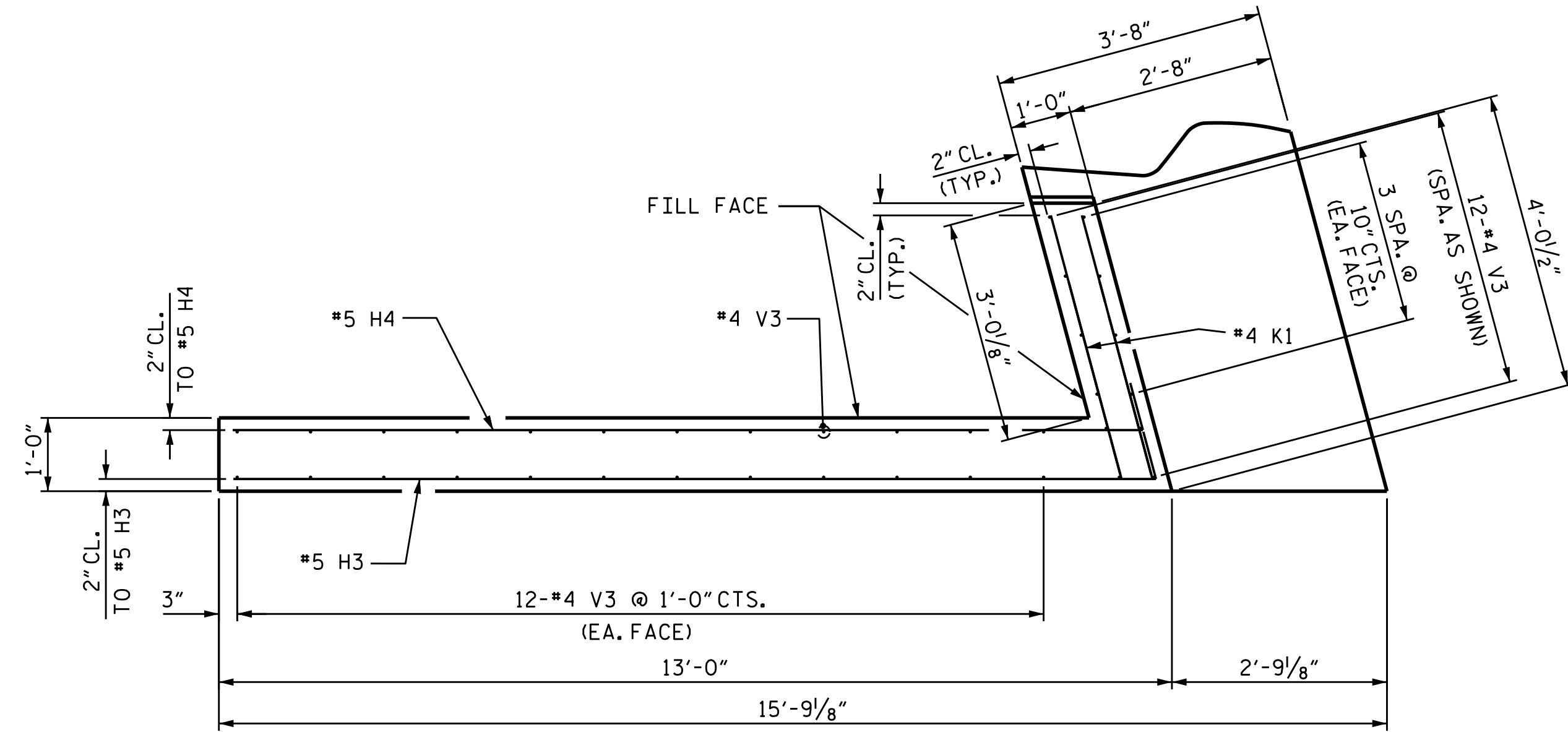
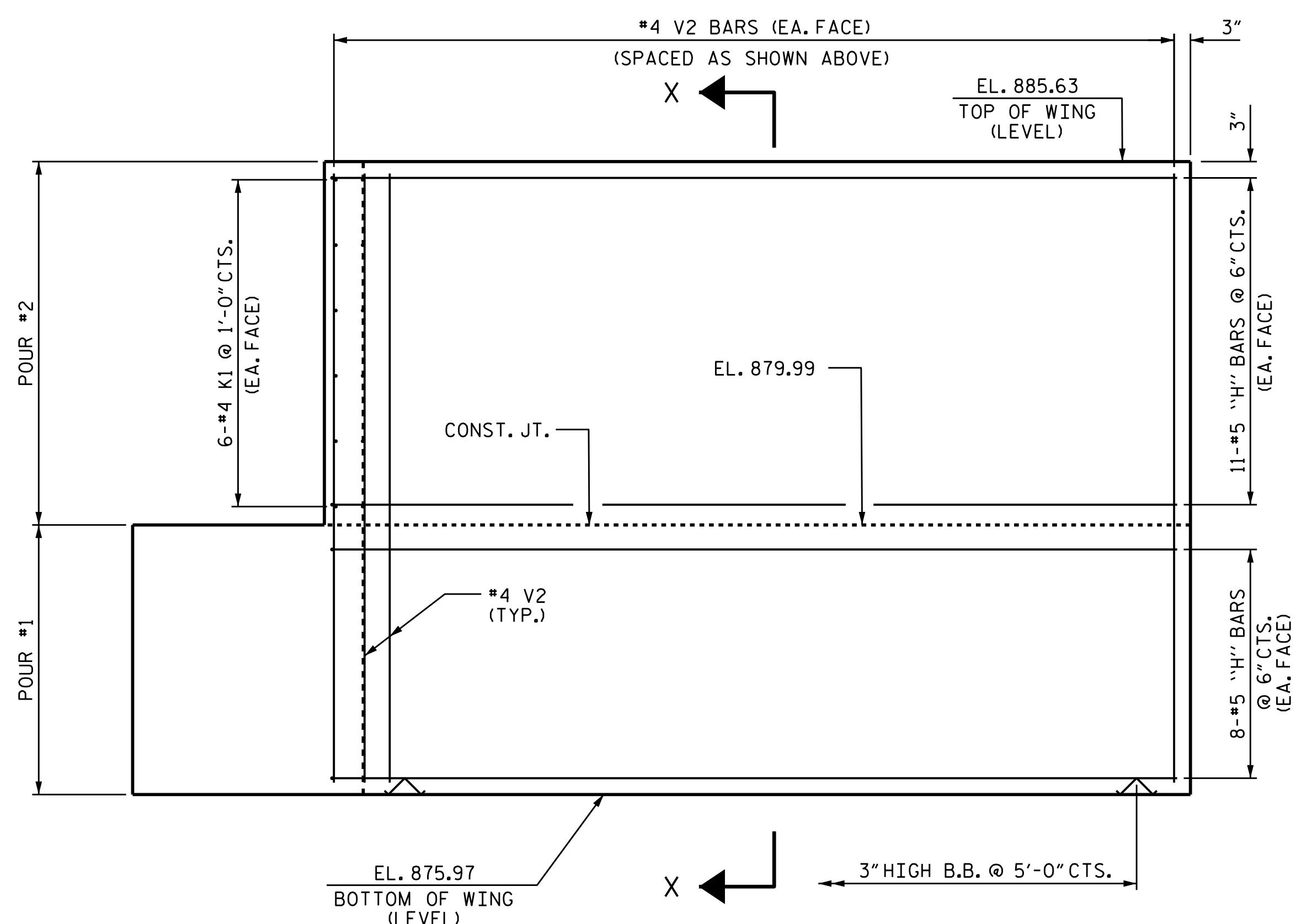


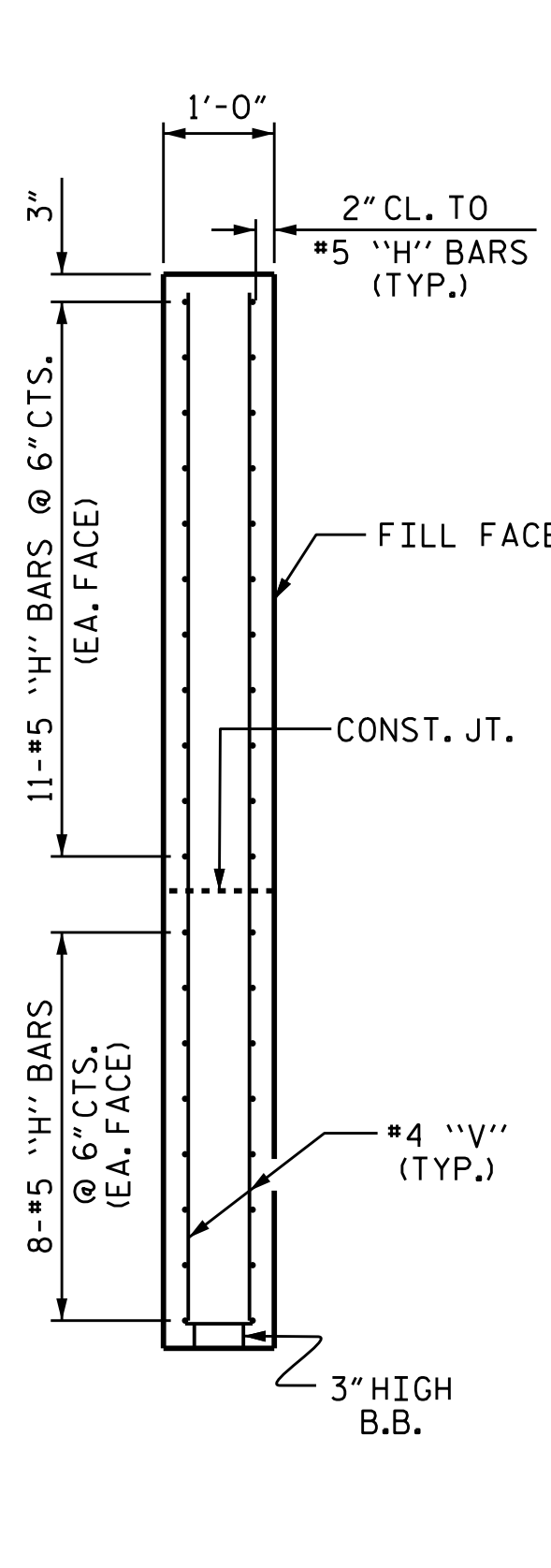
PLAN OF LEFT WING



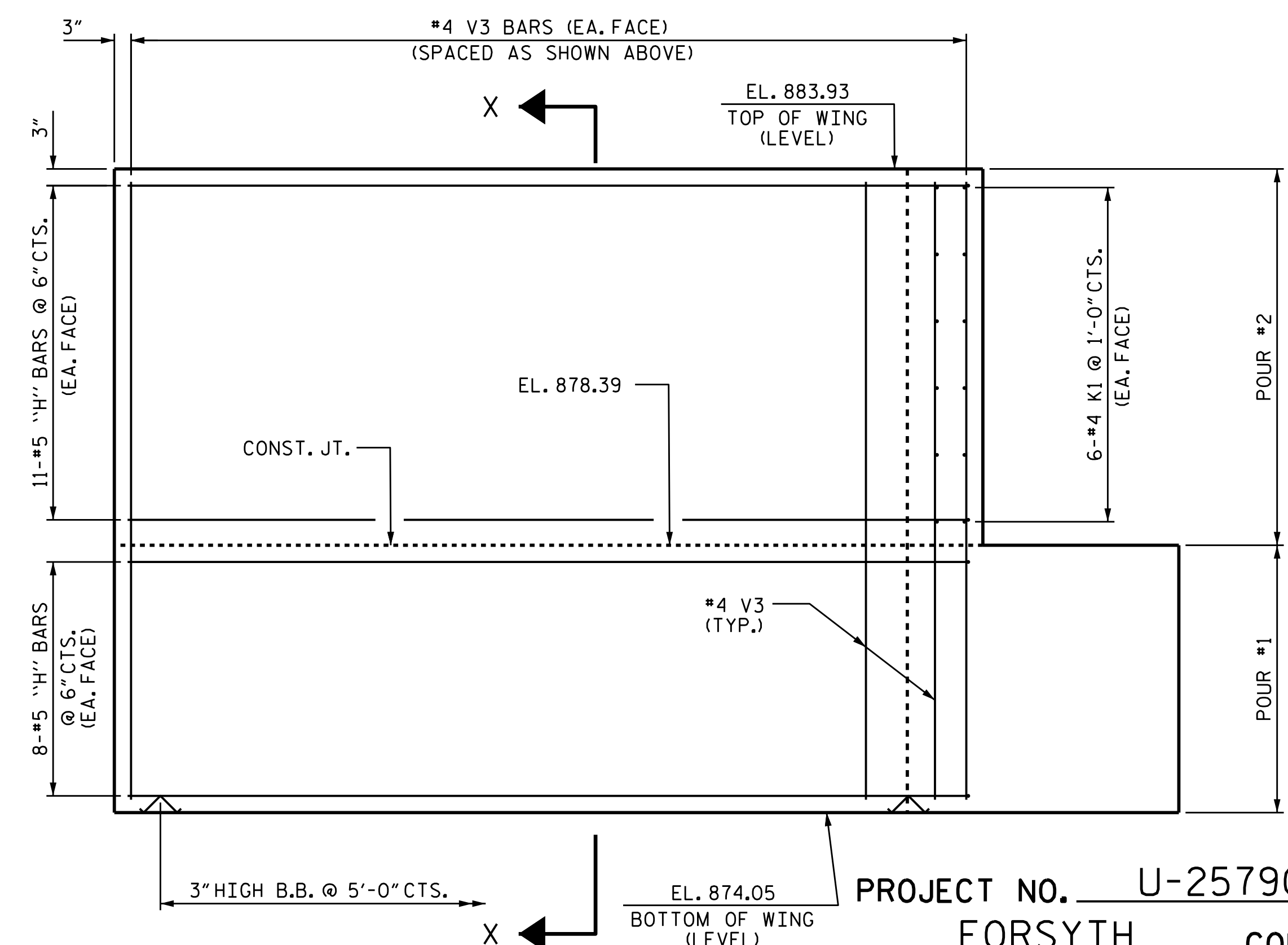
PLAN OF RIGHT WING



ELEVATION OF LEFT WING



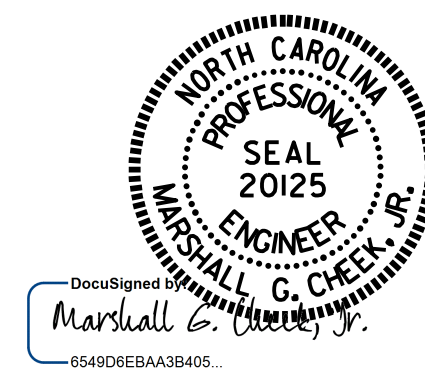
SECTION X-X



ELEVATION OF RIGHT WING

PROJECT NO. U-2579C
 FORSYTH COUNTY
 STATION: 473+70.00 -L-

SHEET 2 OF 3
 STATE OF NORTH CAROLINA
 DEPARTMENT OF TRANSPORTATION
 RALEIGH
 SUBSTRUCTURE
 INTEGRAL
 END BENT 1
 (RIGHT LANE)



DRAWN BY : H.A. LOCKLEAR DATE : 6/29/16
 CHECKED BY : K.D. LAYNE DATE : 8/3/16
 DESIGN ENGINEER OF RECORD : H.A. LOCKLEAR DATE : 8/18/16

DOCUMENT NOT CONSIDERED
 FINAL UNLESS ALL
 SIGNATURES COMPLETED

REVISIONS						SHEET NO.
NO.	BY:	DATE:	NO.	BY:	DATE:	S4-22
1			3			TOTAL SHEETS
2			4			33

26-JUL-2017 15:09
 R:\Structures\FINAL PLANS\404_043_U2579C.SMU.E1.022.330703.dgn
 mcheek