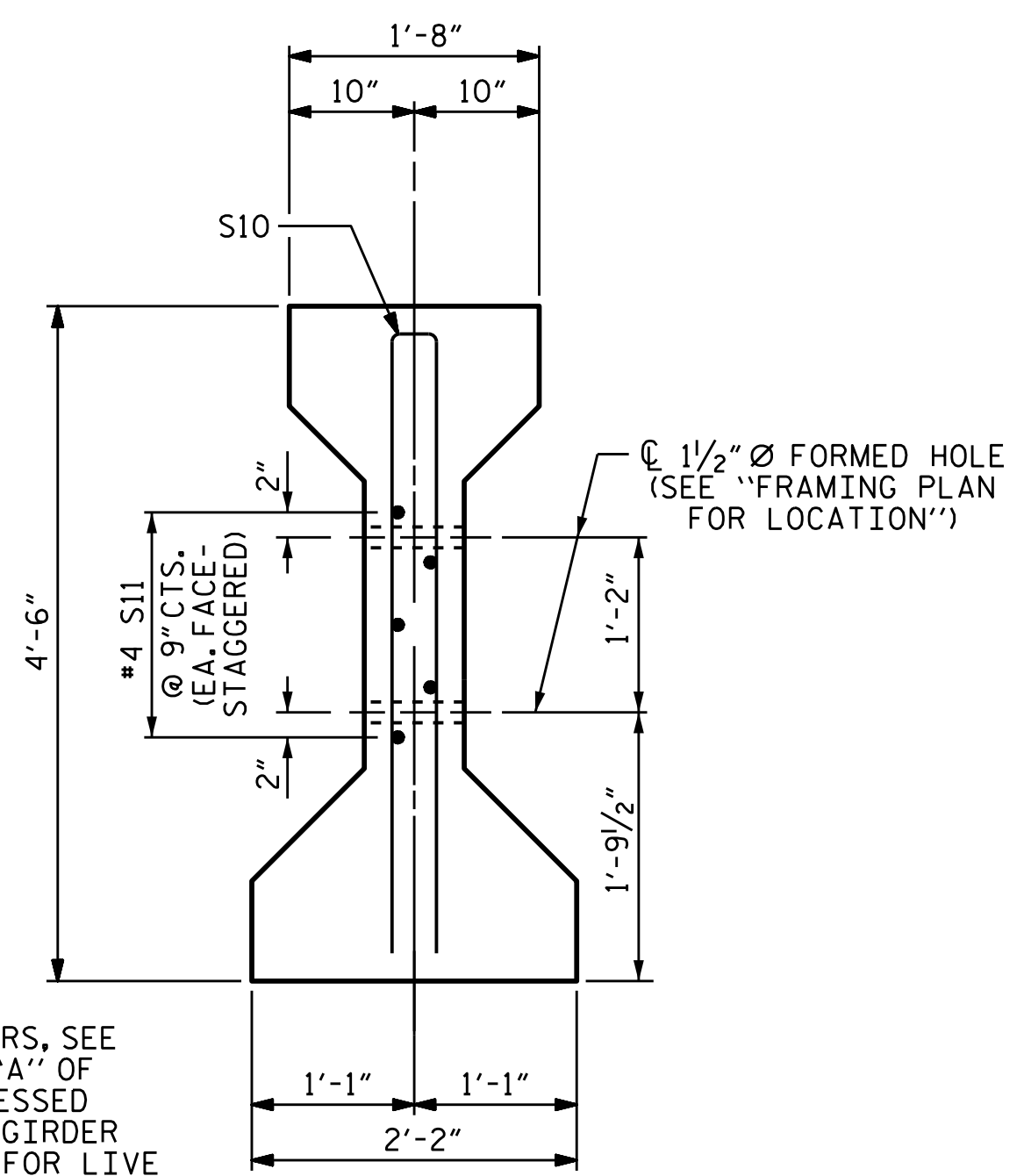
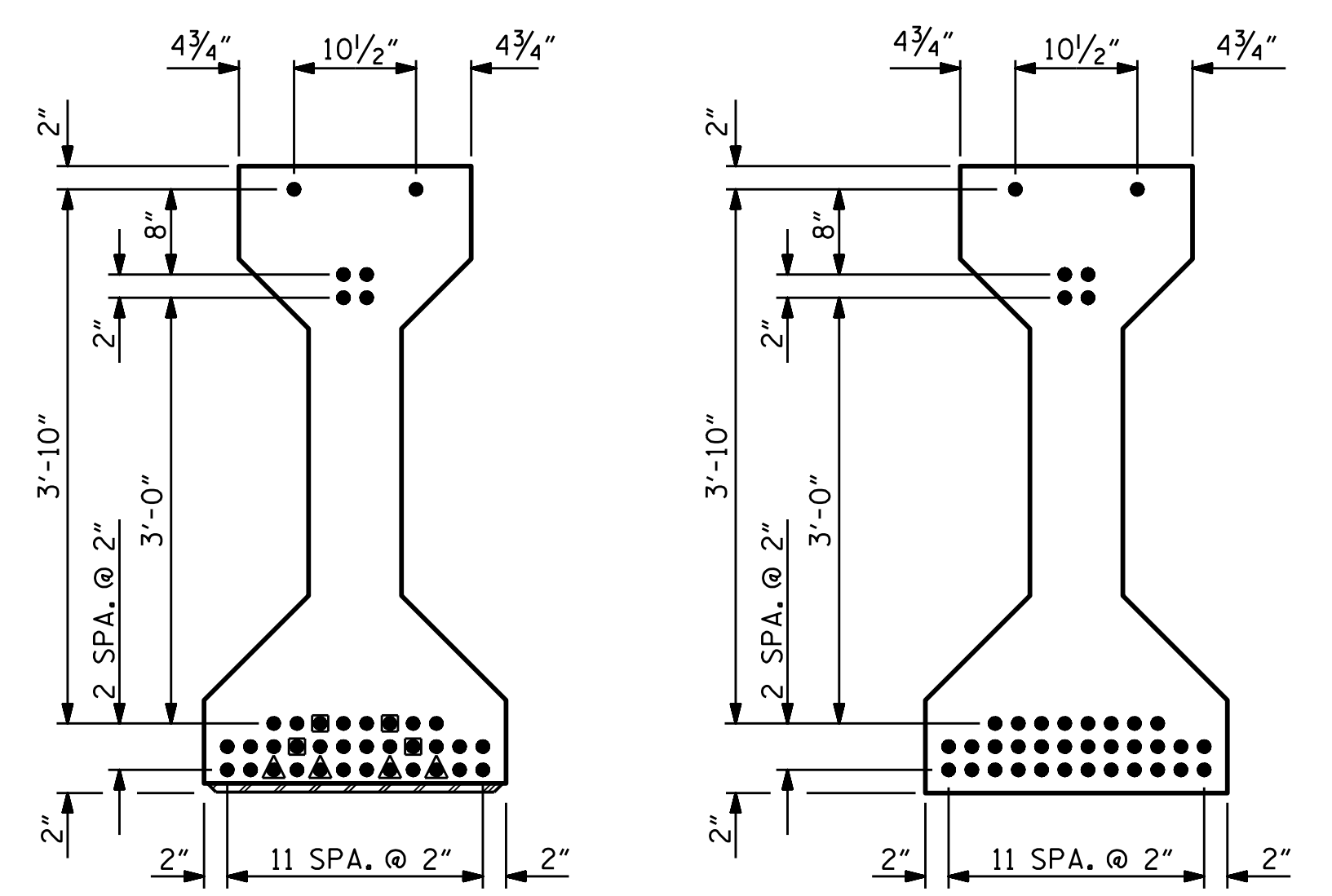


SECTION B-B



SECTION C-C
(S1 BARS NOT SHOWN)



0.6" Ø LOW RELAXATION STRAND LAYOUT

- FULLY BONDED STRANDS
- STRANDS DEBONDED FOR 12'-0" FROM END OF GIRDER
- ▲ STRANDS DEBONDED FOR 10'-0" FROM END OF GIRDER

* FOR S7 BARS, SEE
DETAIL "A" OF
"PRESTRESSED
CONCRETE GIRDER
CONTINUOUS FOR LIVE
LOAD DETAILS" SHEET

0.6" Ø L. R. GRADE 270 STRANDS

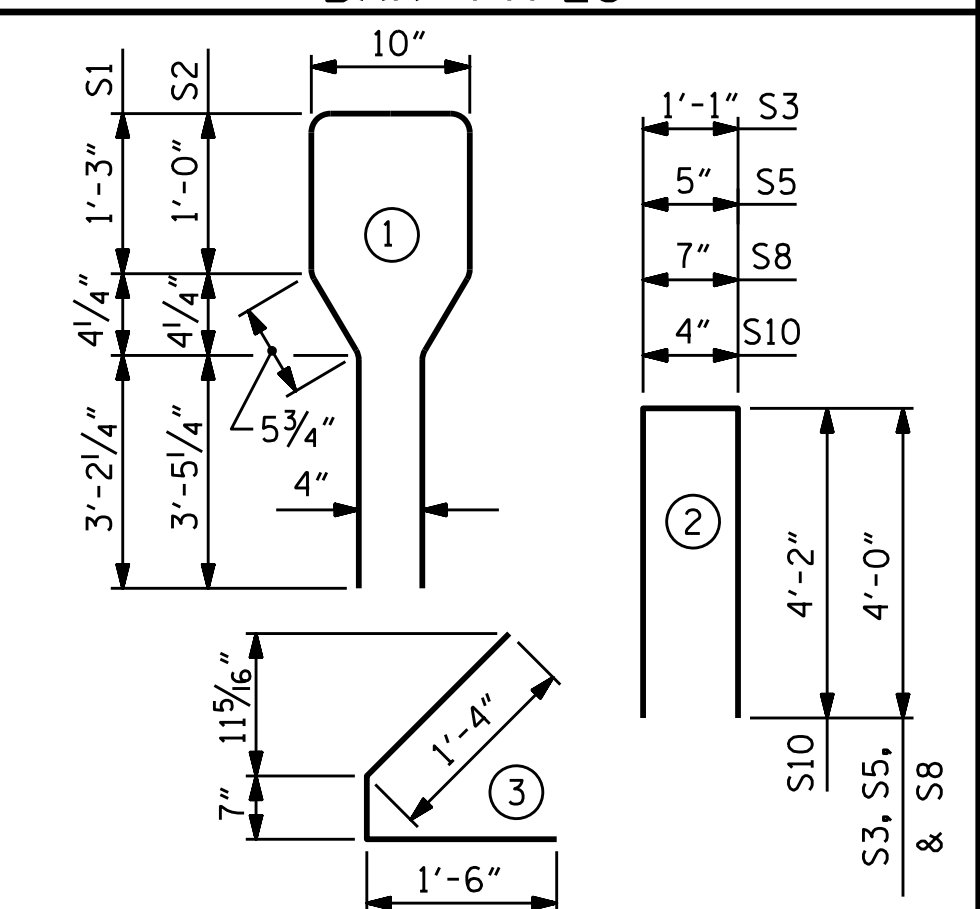
AREA (SQUARE INCHES)	ULTIMATE STRENGTH (LBS. PER STRAND)	APPLIED PRESTRESS (LBS. PER STRAND)
0.217	58,600	43,950

REINFORCING STEEL FOR ONE GIRDER

BAR	NUMBER	SIZE	TYPE	LENGTH	WEIGHT
S1	130	#4	1	10'-8"	926
S2	12	#6	1	10'-8"	192
S3	4	#4	2	9'-1"	24
S4	172	#4	3	3'-5"	393
S5	6	#4	2	8'-5"	34
* S7	12	#5	STR	3'-8"	46
S8	4	#4	2	8'-7"	23
S9	2	#3	STR	1'-10"	1
S10	2	#5	2	8'-8"	18
S11	5	#4	STR	7'-0"	23

* NOTE: S7 BARS SHALL BE BENT BEFORE SHIPMENT. HEAT BENDING SHALL NOT BE ALLOWED.

BAR TYPES



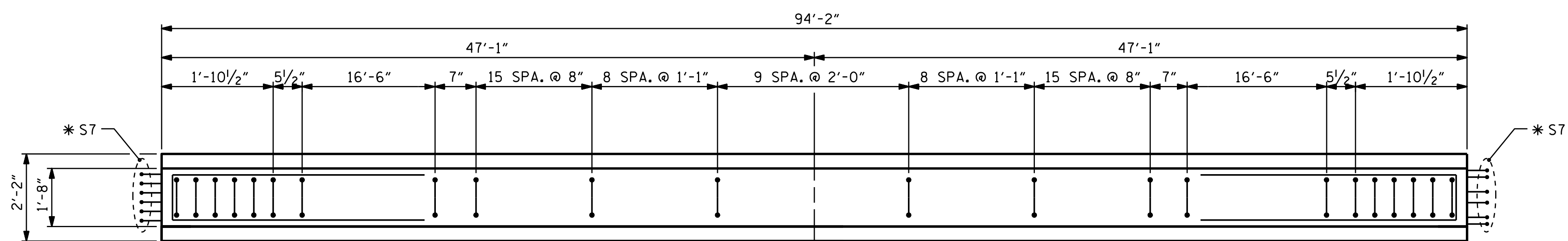
ALL BAR DIMENSIONS ARE OUT-TO-OUT.

QUANTITIES FOR ONE GIRDER

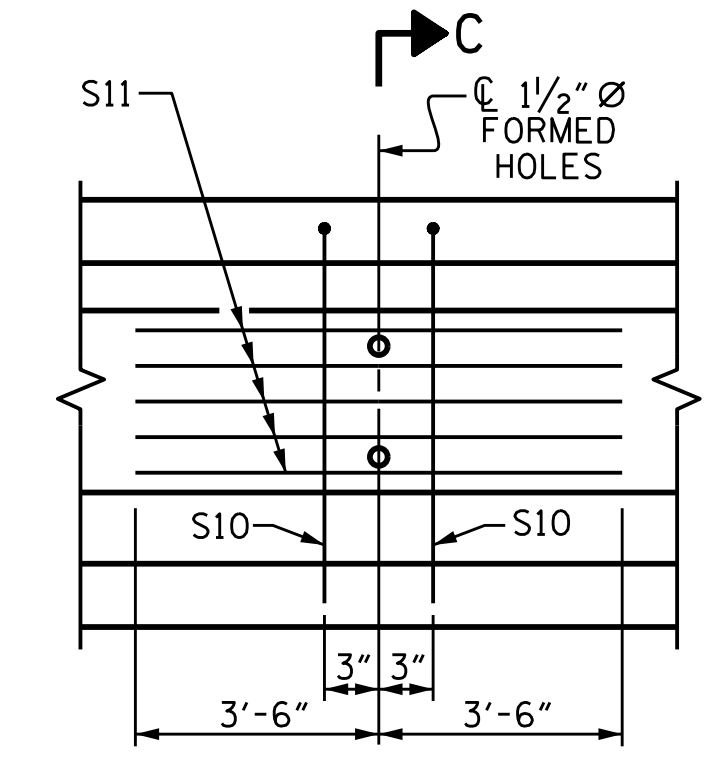
REINFORCING STEEL	7,500 PSI CONCRETE	0.6" Ø L. R. STRANDS
LBS.	C.Y.	No.
1,680	19.1	38

GIRDERS REQUIRED

NUMBER	LENGTH	TOTAL LENGTH
9	94'-2"	847'-6"

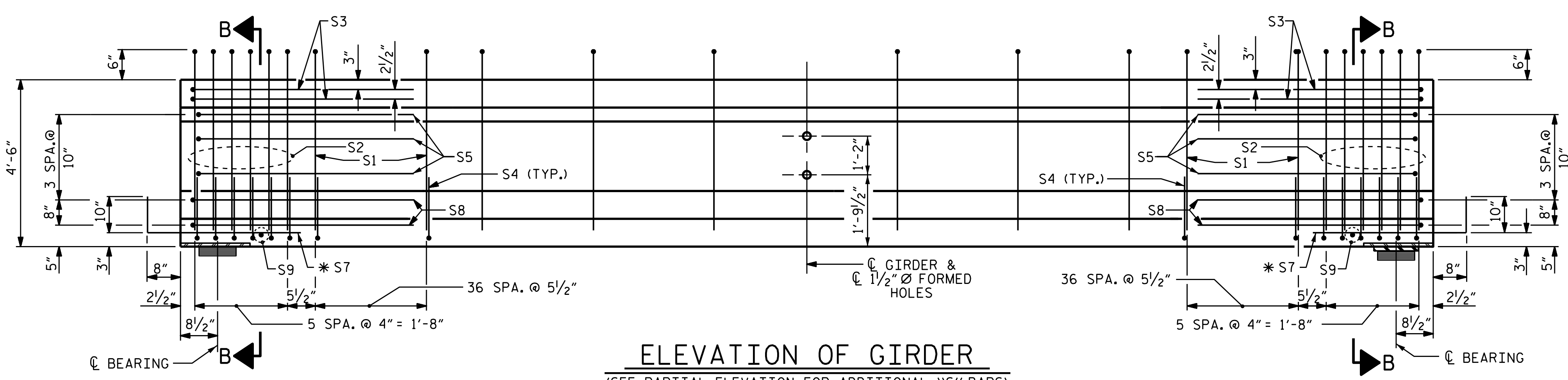


PLAN OF GIRDER



PARTIAL ELEVATION

SHOWING INTERMEDIATE DIAPHRAGM REINFORCING STEEL FOR SPAN B GIRDERS.



ELEVATION OF GIRDER

(SEE PARTIAL ELEVATION FOR ADDITIONAL "S" BARS)



7/27/2017

ASSEMBLED BY : H. A. LOCKLEAR	DATE : 12-15
CHECKED BY : N. D'AIUTO	DATE : 6/15/16
DRAWN BY : ELR 8/91	REV. 5/1/06R TLA/GM
CHECKED BY : GRP 8/91	REV. 10/1/11 MAA/GM
	REV. 1/15 MAA/TMG

DOCUMENT NOT CONSIDERED FINAL UNLESS ALL SIGNATURES COMPLETED

REVISIONS						SHEET NO.
NO.	BY:	DATE:	NO.	BY:	DATE:	S4-12
1			3			TOTAL SHEETS 33
2			4			