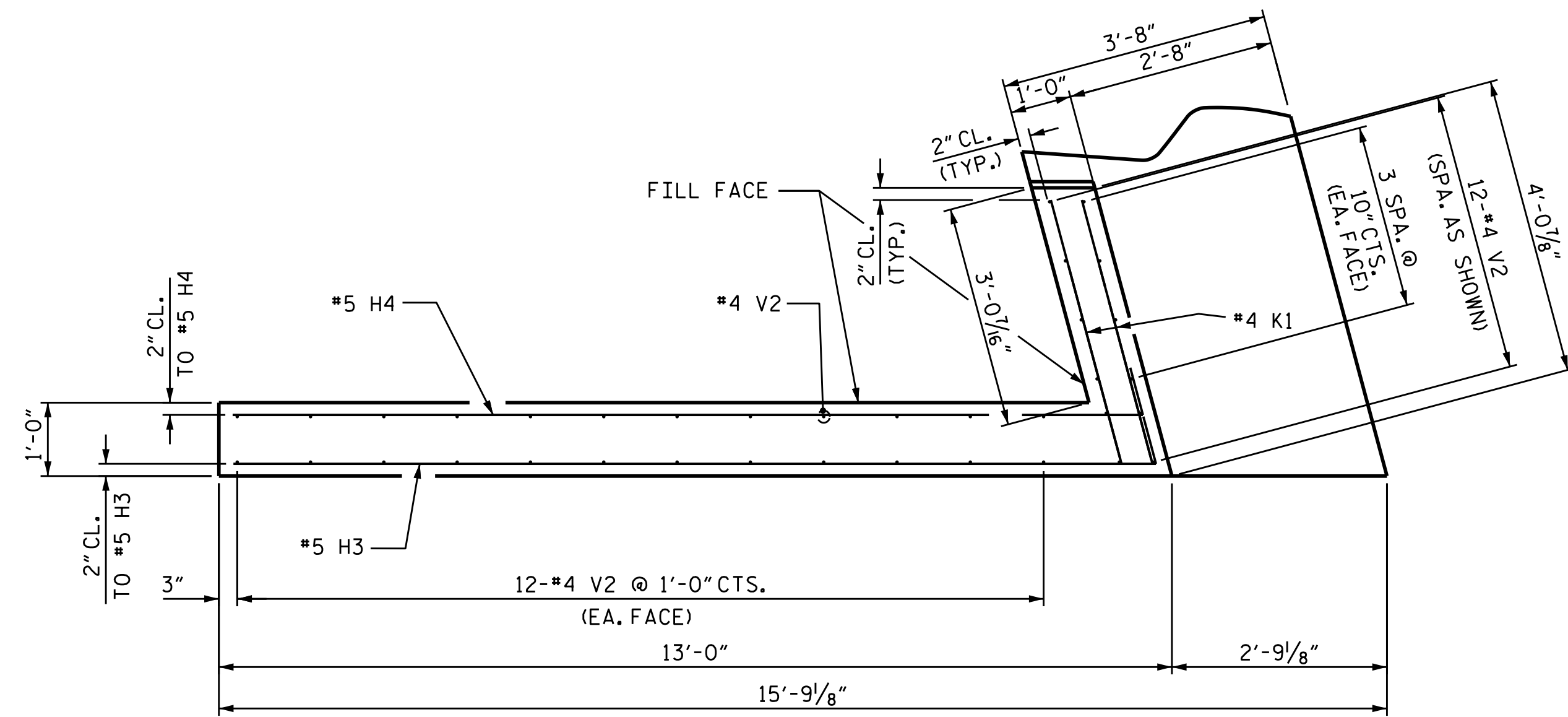
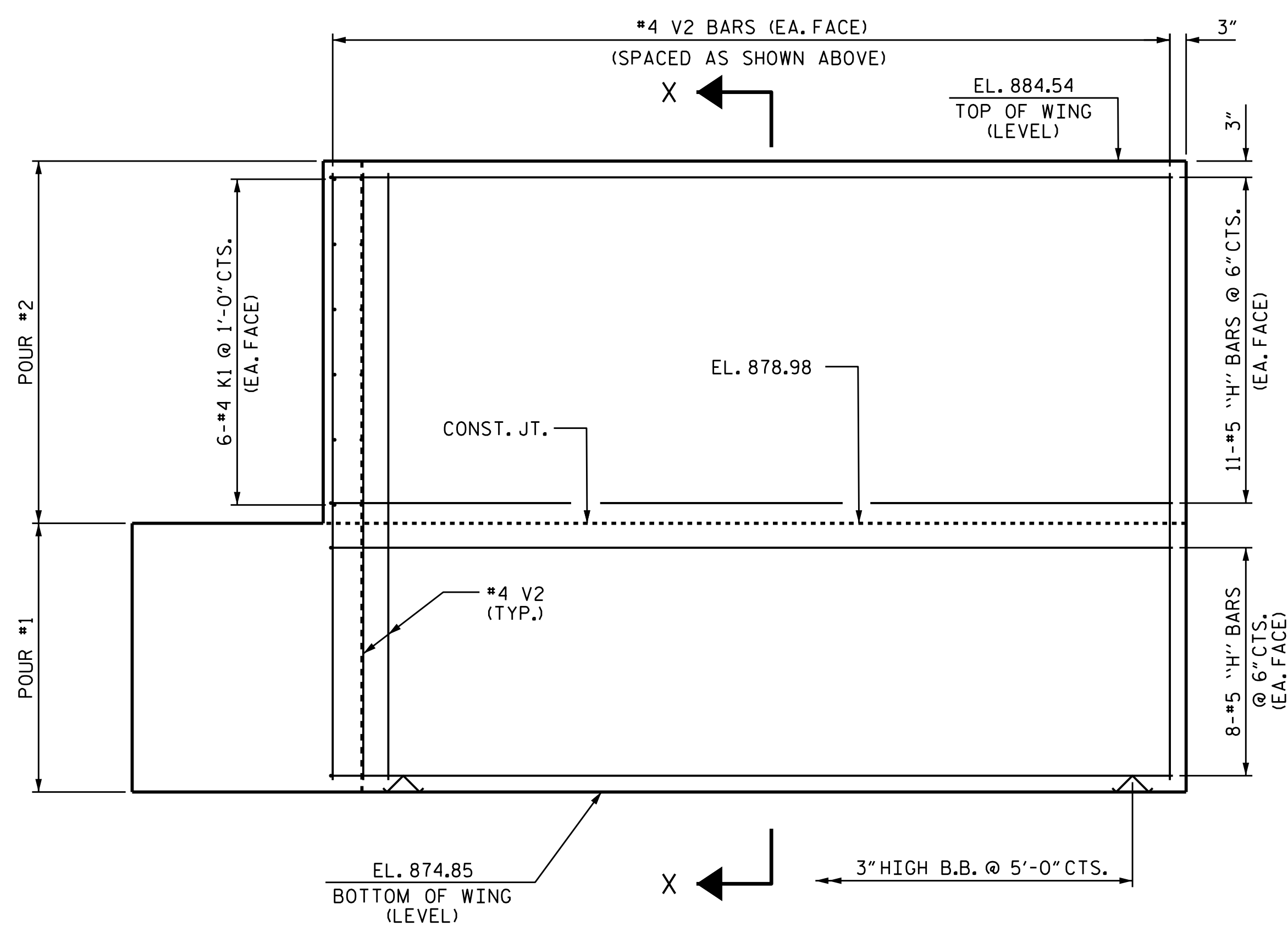


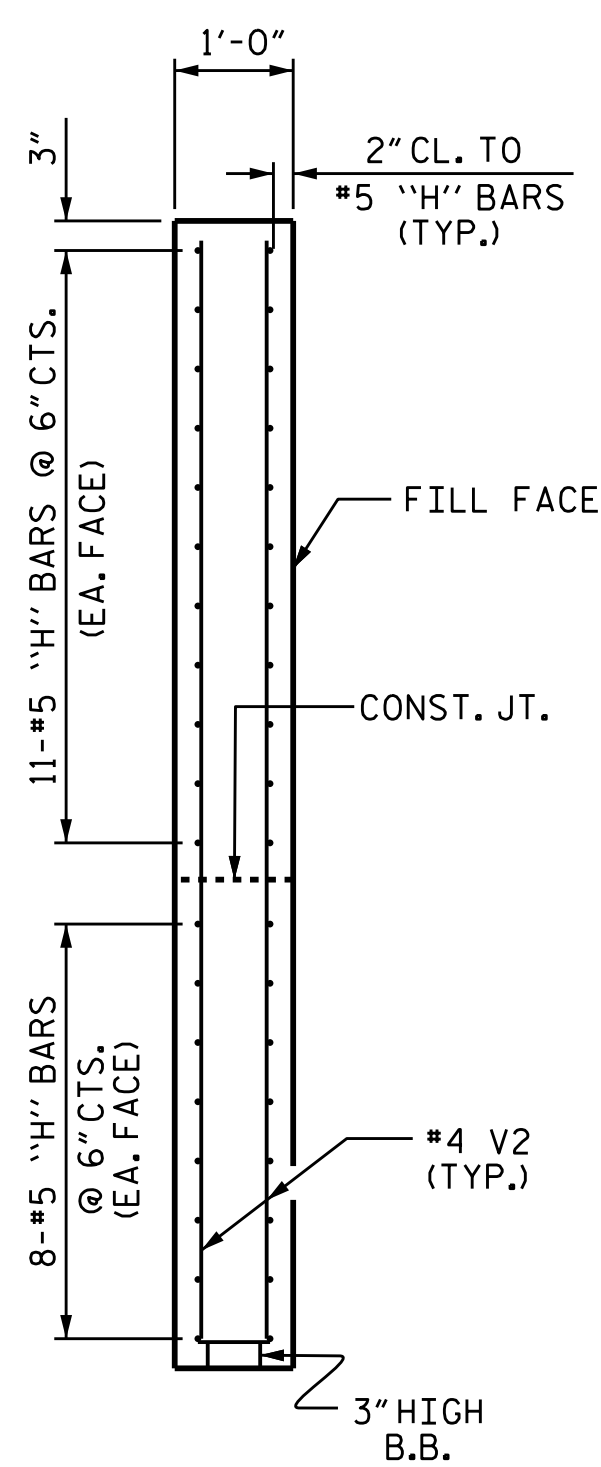
PLAN OF LEFT WING



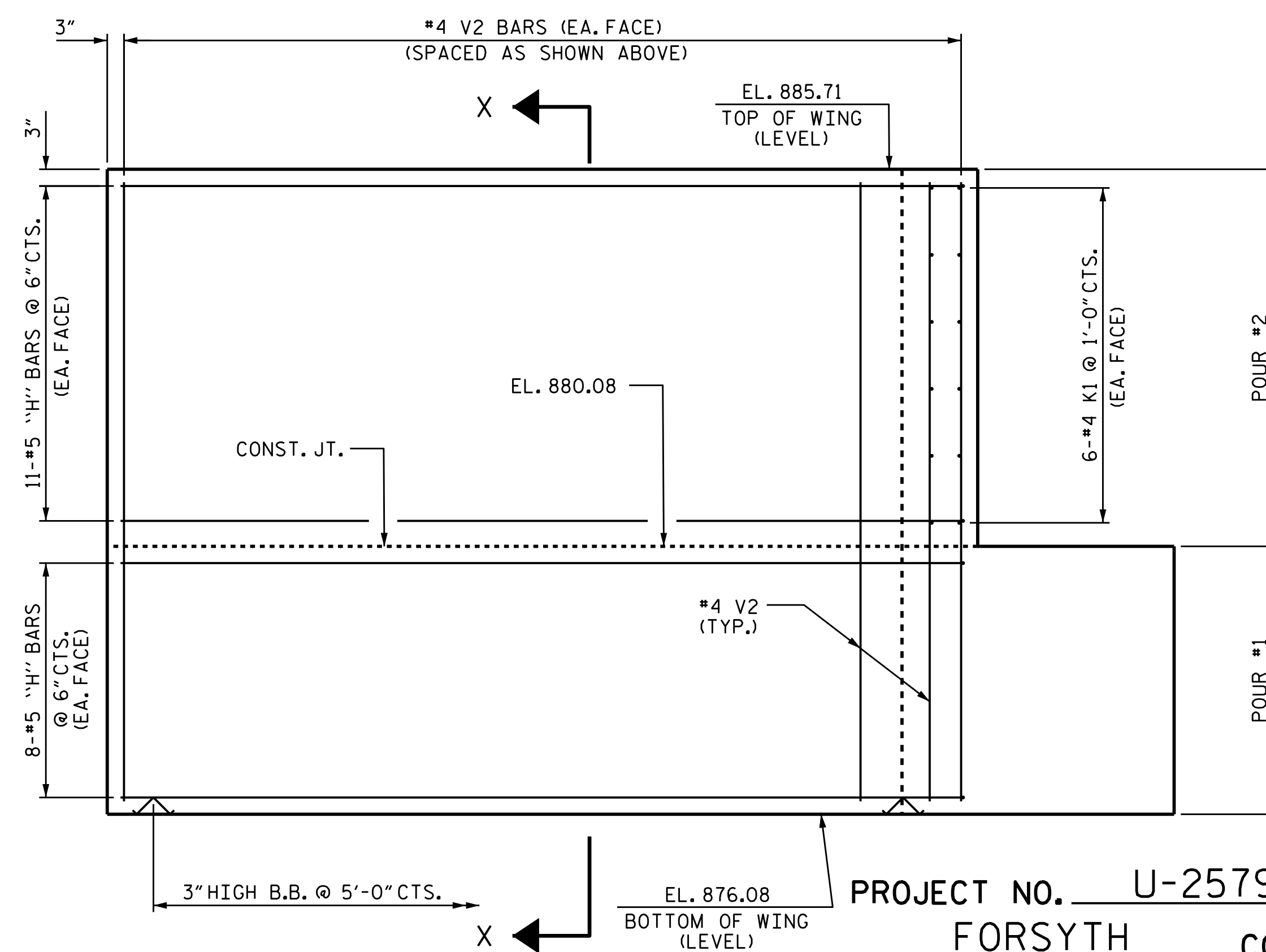
PLAN OF RIGHT WING



ELEVATION OF LEFT WING



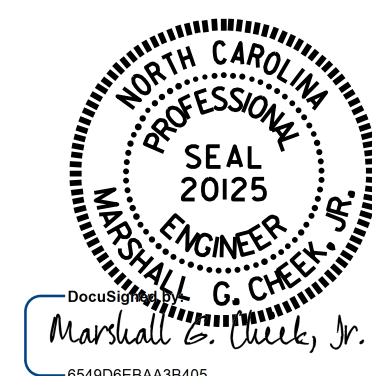
SECTION X-X



ELEVATION OF RIGHT WING

PROJECT NO. U-2579C  
 FORSYTH COUNTY  
 STATION: 473+70.00 -L-

SHEET 2 OF 3



7/27/2017

DRAWN BY : H.A. LOCKLEAR DATE : 6/22/16  
 CHECKED BY : K.D. LAYNE DATE : 8/3/16  
 DESIGN ENGINEER OF RECORD : H.A. LOCKLEAR DATE : 8/18/16

DOCUMENT NOT CONSIDERED  
 FINAL UNLESS ALL  
 SIGNATURES COMPLETED

REVISIONS						SHEET NO.
NO.	BY:	DATE:	NO.	BY:	DATE:	S3-22
1			3			TOTAL SHEETS
2			4			33