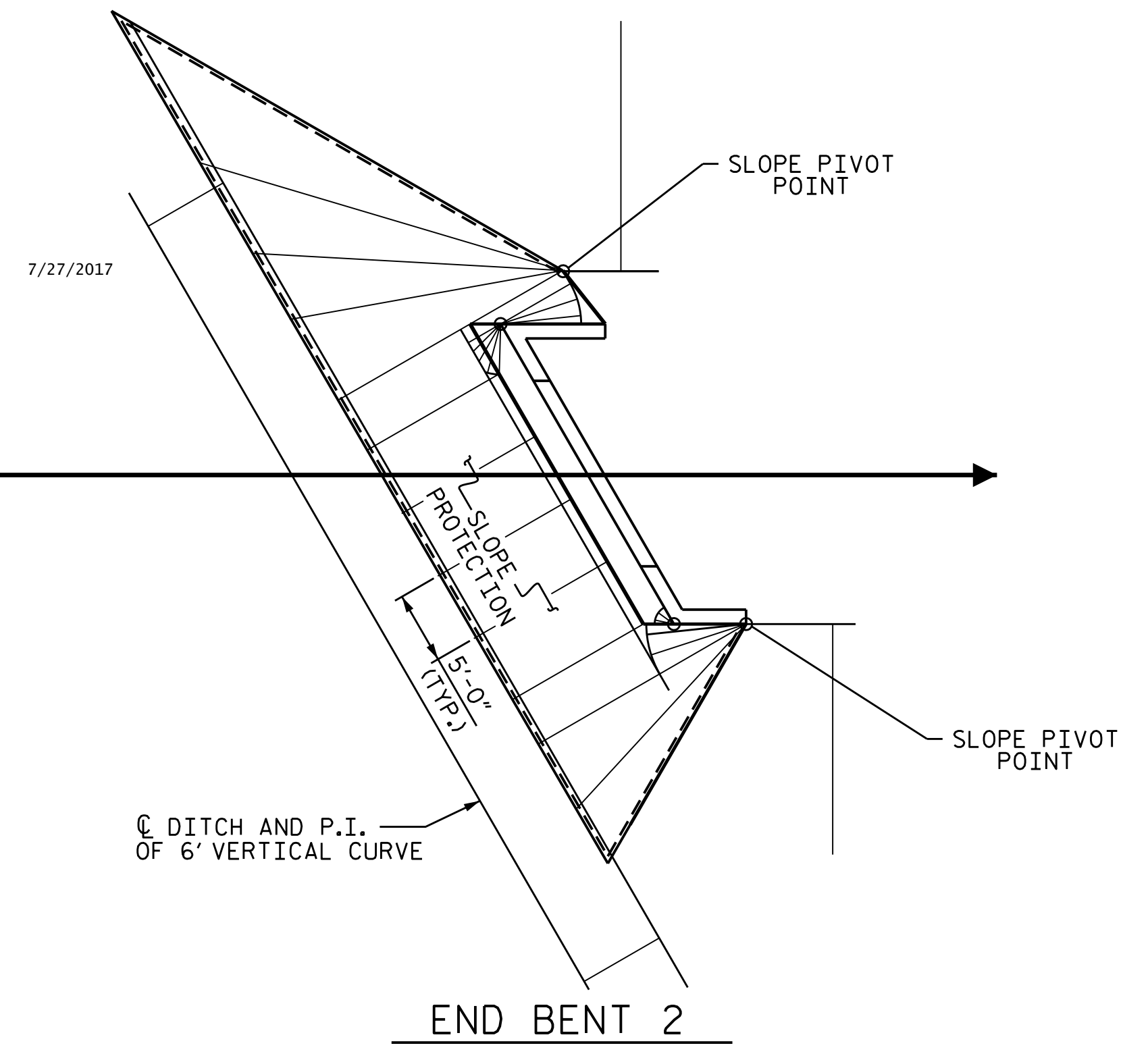
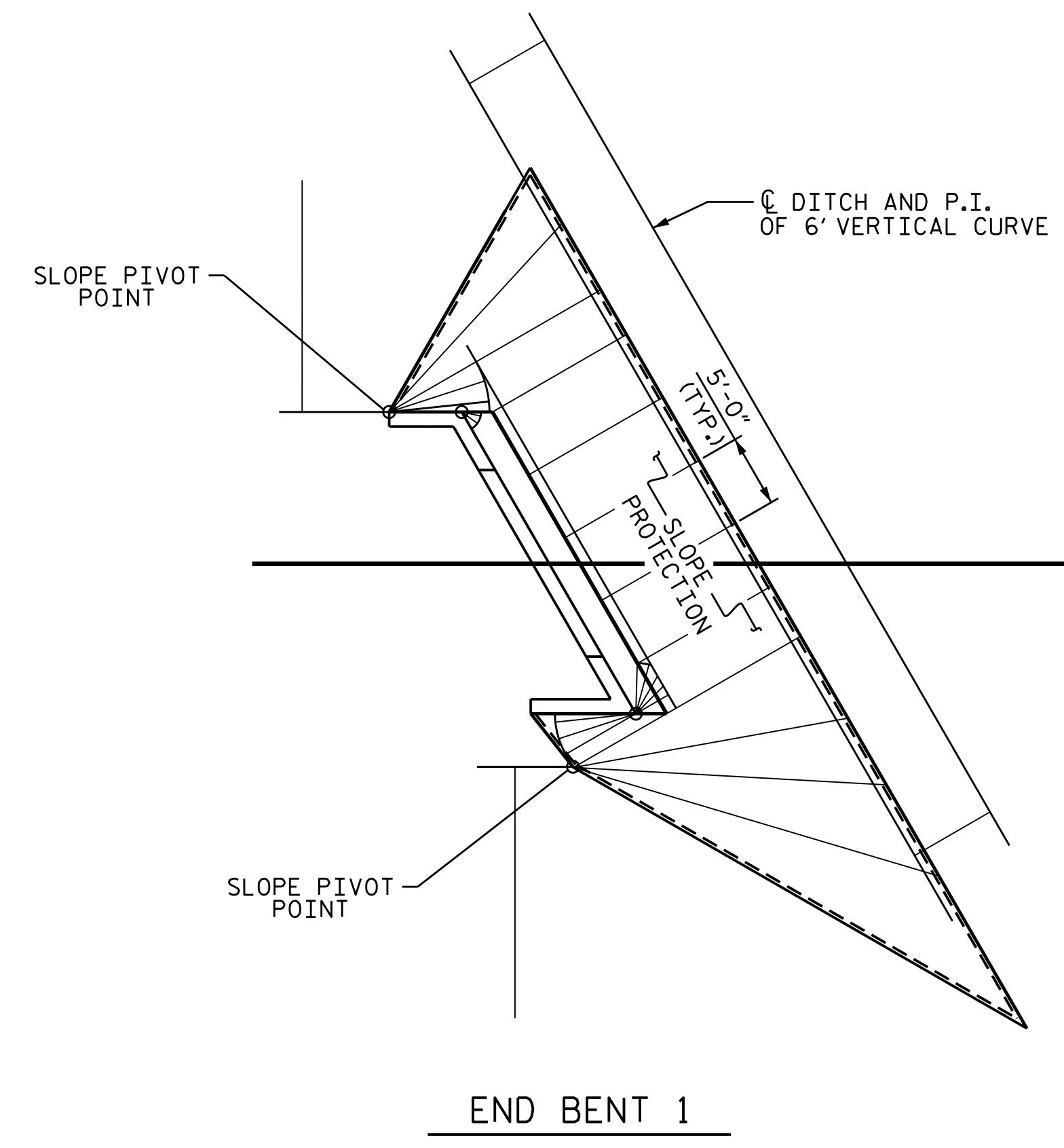


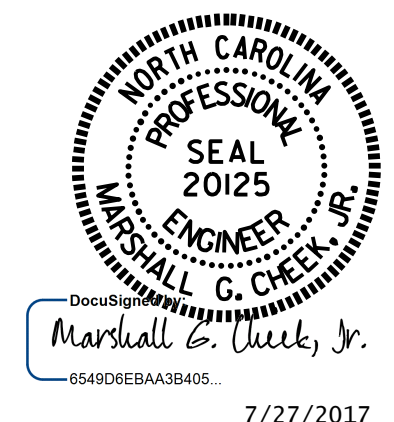
PLAN - GRADING



PLAN - CONCRETE PLACEMENT

PROJECT NO. U-2579C
FORSYTH COUNTY
 STATION: 21+27.27 -Y2-

SHEET 2 OF 2



STATE OF NORTH CAROLINA
 DEPARTMENT OF TRANSPORTATION
 RALEIGH
 STANDARD
 SLOPE PROTECTION
 DETAILS

ASSEMBLED BY : H. T. BARBOUR	DATE : 1-23-17
CHECKED BY : T. L. AVERETTE	DATE : 2-21-17
DRAWN BY : WJH 10/88	REV. 5/1/06 TLA/GM
CHECKED BY : FCJ 10/88	REV. 10/1/11 MAA/GM
	REV. 1/16 MAA/TMG

DOCUMENT NOT CONSIDERED
 FINAL UNLESS ALL
 SIGNATURES COMPLETED

REVISIONS						SHEET NO.	
NO.	BY:	DATE:	NO.	BY:	DATE:	S2-29	
1			3			TOTAL SHEETS 30	
2			4				