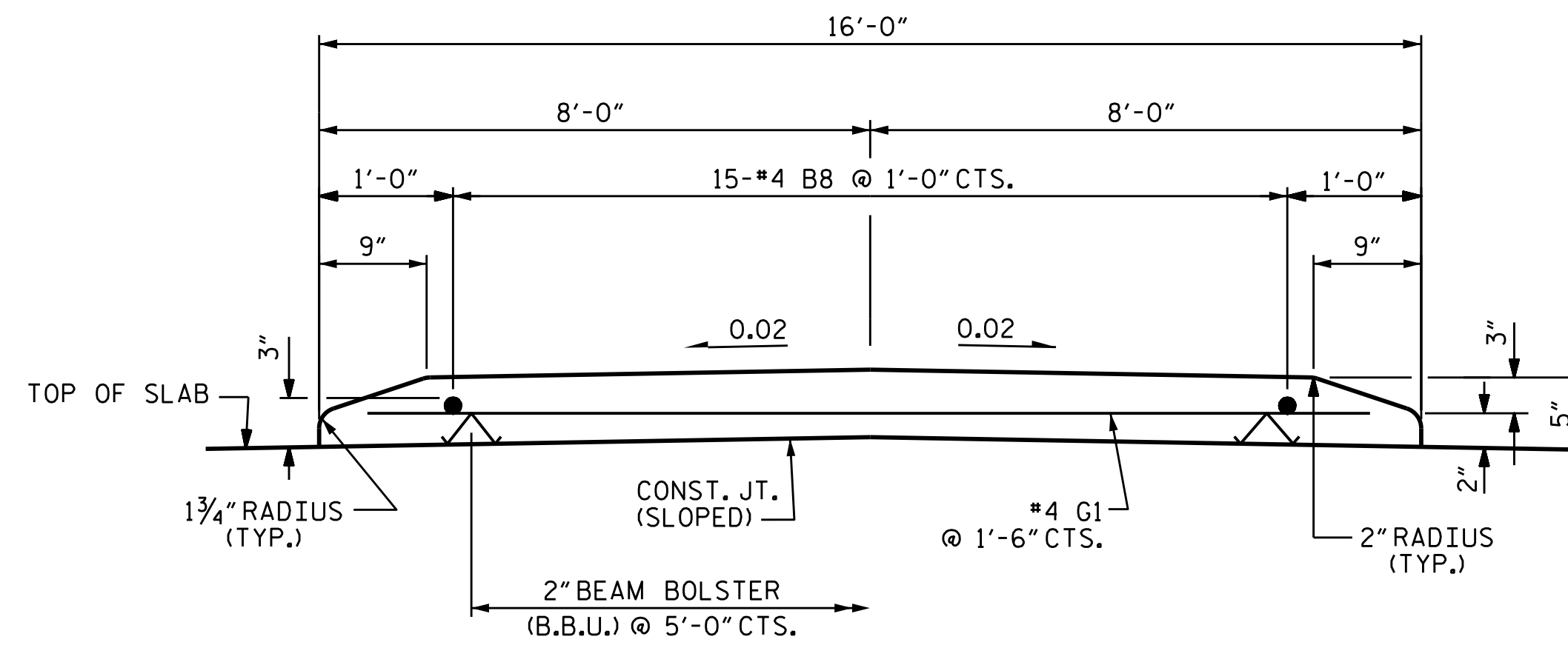


SECTION THROUGH MONOLITHIC CONCRETE MEDIAN AT INTEGRAL END BENT
END BENT 1 SHOWN, END BENT 2 SIMILAR



SECTION THROUGH MONOLITHIC CONCRETE MEDIAN

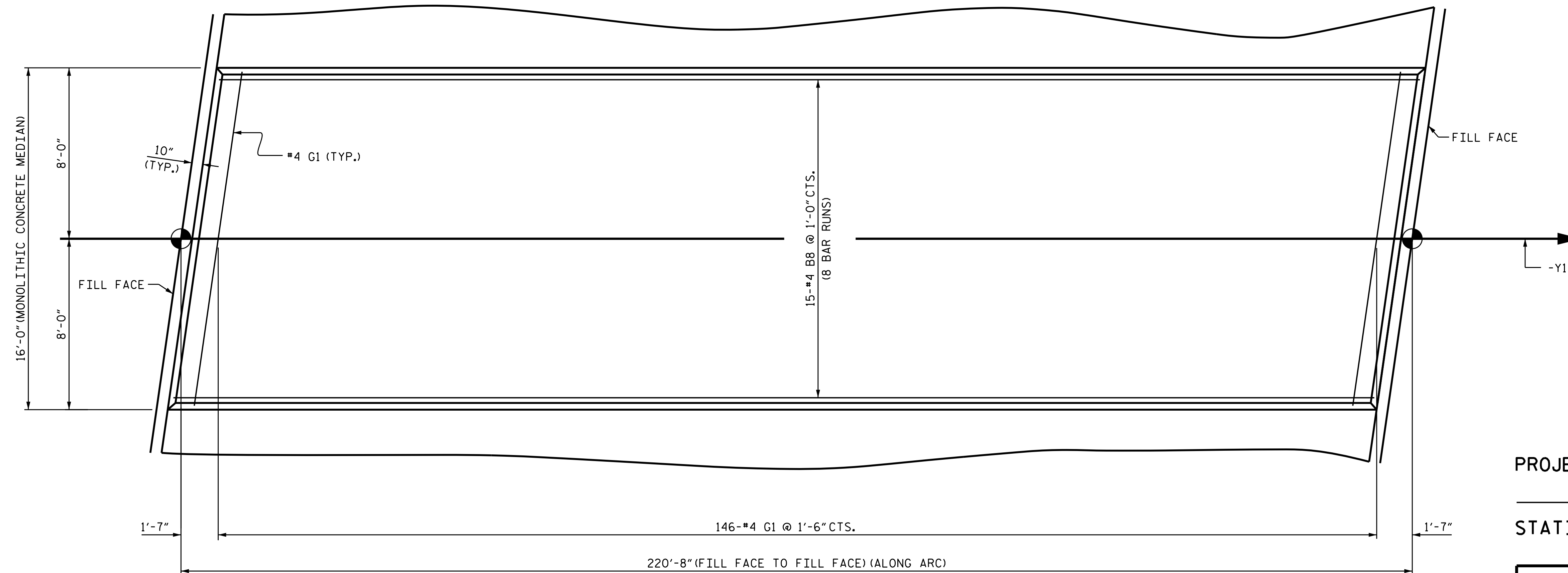
NOTES

GROOVED CONTRACTION JOINTS, 1/2" IN DEPTH, SHALL BE TOOLED IN ALL EXPOSED FACES OF THE MONOLITHIC CONCRETE MEDIAN IN ACCORDANCE WITH ARTICLE 825-10(B) OF THE STANDARD SPECIFICATIONS. THE CONTRACTION JOINTS SHALL BE LOCATED AT A SPACING OF 8 FT. TO 10 FT. BETWEEN EXPANSION JOINTS. NO CONTRACTION JOINT WILL BE REQUIRED FOR SEGMENTS LESS THAN 10 FT. IN LENGTH.

ALL REINFORCING STEEL IN MONOLITHIC CONCRETE MEDIAN SHALL BE EPOXY COATED.

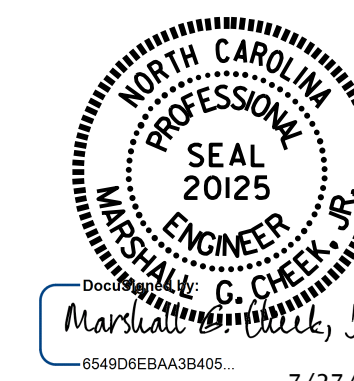
FOR MONOLITHIC CONCRETE MEDIAN ON APPROACH SLAB, SEE "BRIDGE APPROACH SLAB" SHEETS.

NO SEPARATE MEASUREMENT OR PAYMENT WILL BE MADE FOR MATERIALS OR LABOR REQUIRED TO CONSTRUCT THE CONCRETE MEDIAN. THE ENTIRE COST OF THIS WORK SHALL BE INCLUDED IN THE UNIT PRICE BID FOR REINFORCED CONCRETE DECK SLAB.



PLAN OF MONOLITHIC CONCRETE MEDIAN

PROJECT NO. U-2579C
FORSYTH COUNTY
STATION: 29+24.97 -Y1-



STATE OF NORTH CAROLINA
DEPARTMENT OF TRANSPORTATION
RALEIGH
SUPERSTRUCTURE
MONOLITHIC
CONCRETE MEDIAN
DETAILS

DRAWN BY : J.P. MCCARTHA DATE : 5/4/16
CHECKED BY : H.A. LOCKLEAR DATE : 8/25/16
DESIGN ENGINEER OF RECORD: H.A. LOCKLEAR DATE : 6/2017

DOCUMENT NOT CONSIDERED FINAL UNLESS ALL SIGNATURES COMPLETED

REVISIONS						SHEET NO.	
NO.	BY:	DATE:	NO.	BY:	DATE:	S1-17	
1			3			TOTAL SHEETS	
2			4			32	