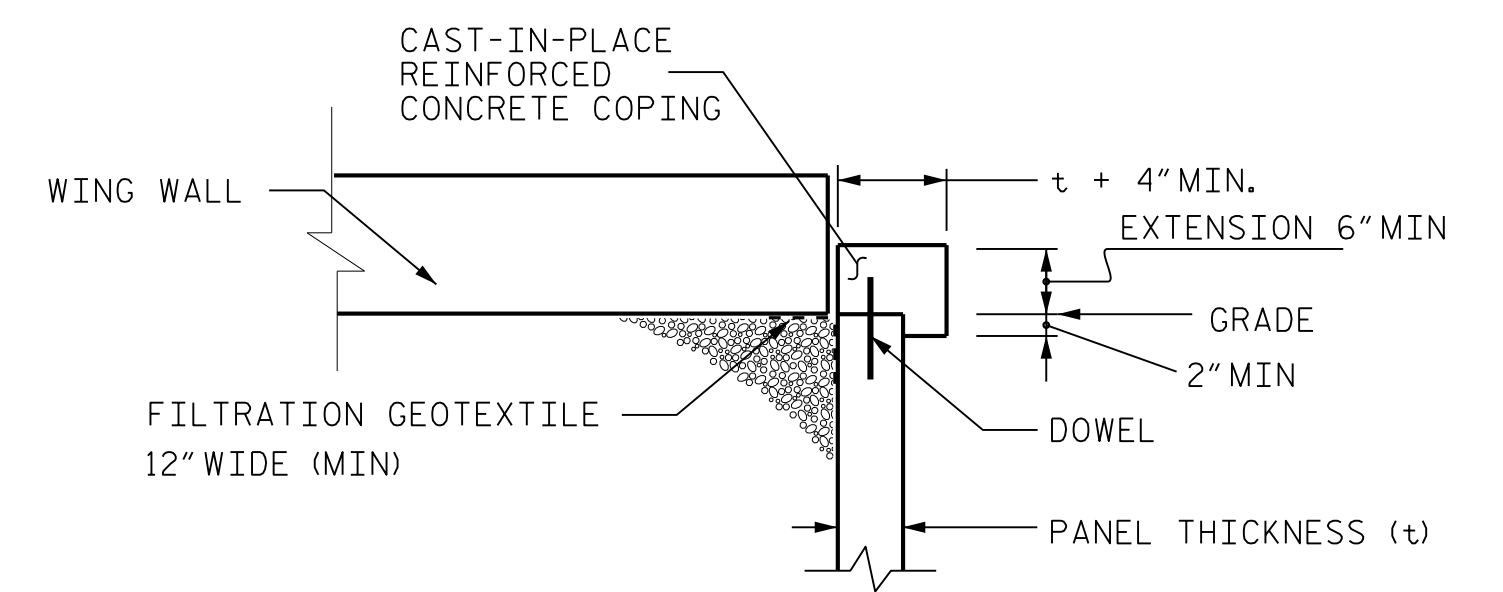
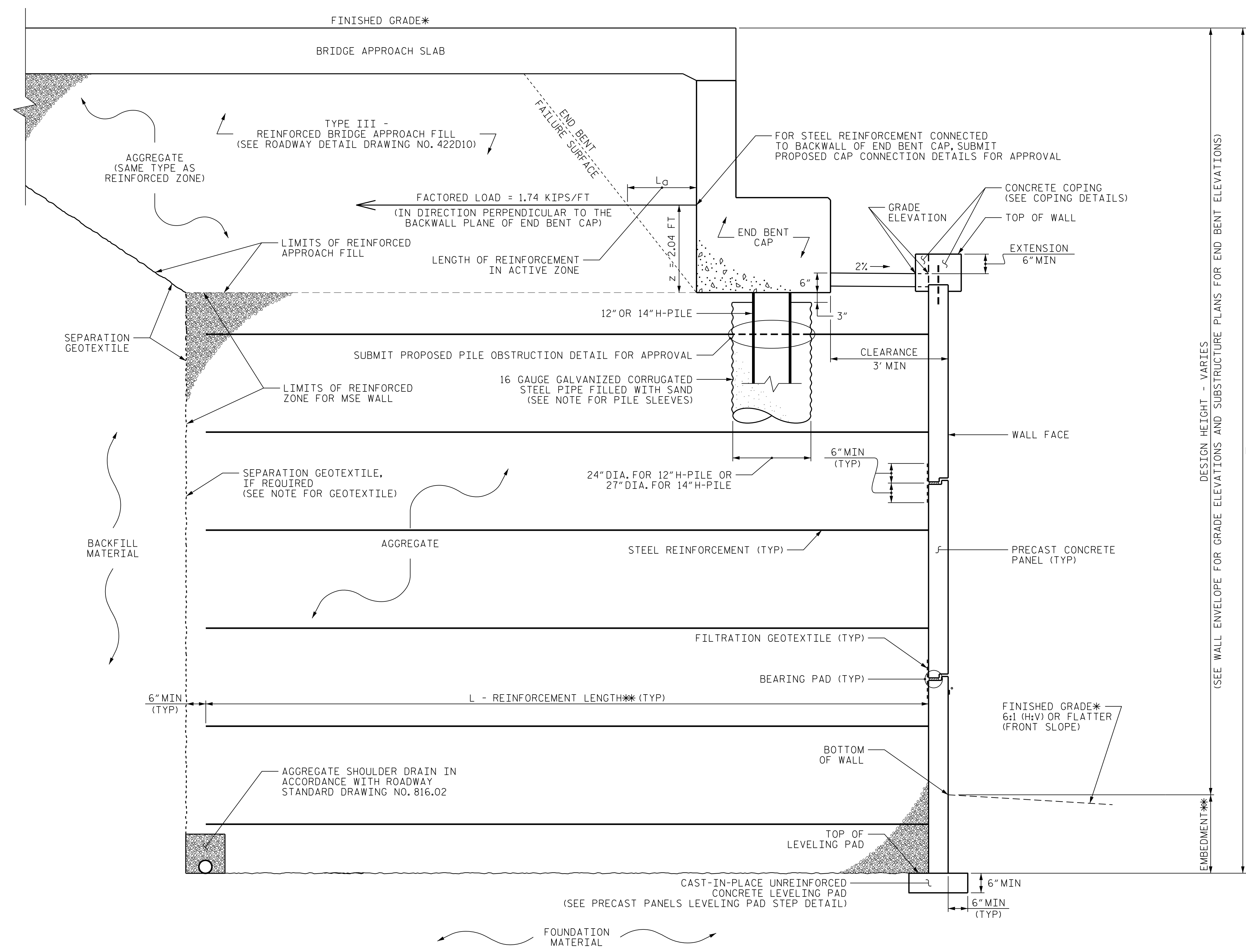
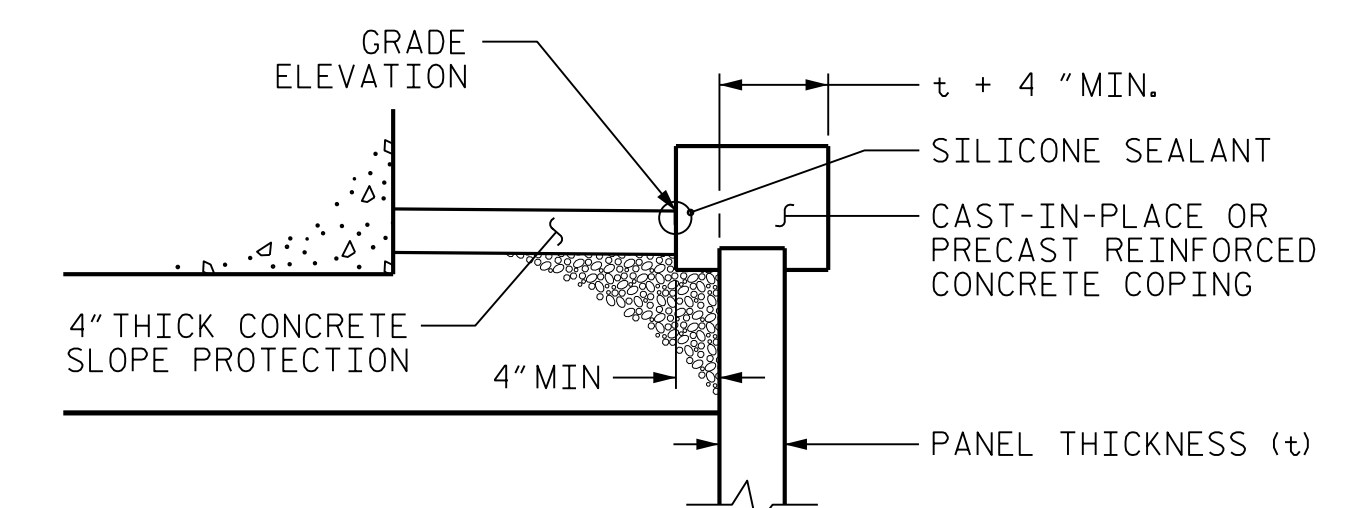
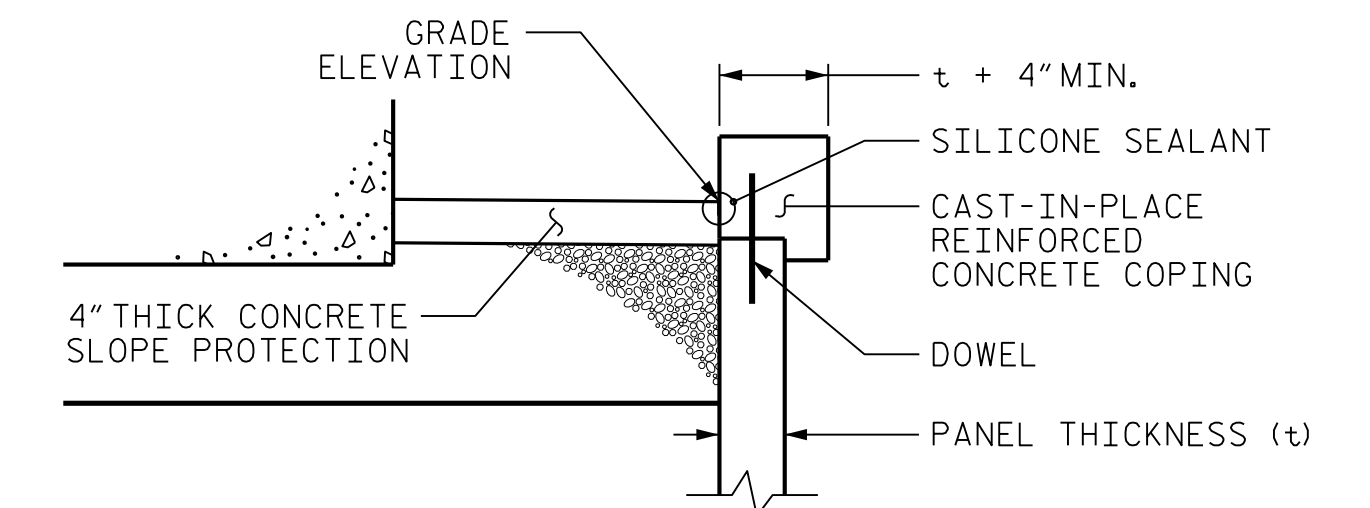


GEOTECHNICAL ENGINEER
 ENGINEER
 NORTH CAROLINA PROFESSIONAL SEAL 028669
 ENGINEER RICHARD S. WEBB
 Signed by: Scott Webb 6/6/2017
 DOCUMENT NOT CONSIDERED FINAL UNLESS ALL SIGNATURES COMPLETED



VERTICAL COPING SECTION C-C



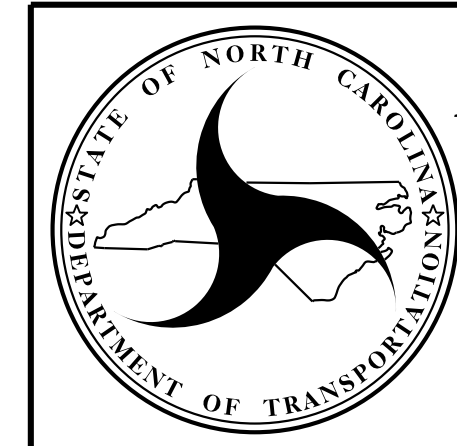
COPING DETAILS

AT THE CONTRACTOR'S OPTION, CONNECT COPING TO PANELS WITH DOWELS OR EXTEND COPING DOWN BACK OF PANELS.

MSE ABUTMENT WALL WITH PRECAST PANELS - SECTION A-A

*SEE STRUCTURE PLANS FOR FINISHED GRADE DETAILS.
 *SEE MSE RETAINING WALLS PROVISION AND IF APPLICABLE,
 MSE WALL NOTES FOR EMBEDMENT AND REINFORCEMENT LENGTH REQUIREMENTS.

PREPARED BY: R. WEBB	DATE: 5-17
REVIEWED BY: D. TEAGUE	DATE: 5-17



NORTH CAROLINA
 DEPARTMENT OF TRANSPORTATION
 DIVISION OF HIGHWAYS
 GEOTECHNICAL
 ENGINEERING UNIT

PROJECT NO.: B-4964
 ROCKINGHAM COUNTY
 STATION: 18+73.69 -L-
 SHEET 2 OF 3

REVISIONS					
NO.	BY	DATE	NO.	BY	DATE
1			3		
2			4		

SHEET NO. W-2