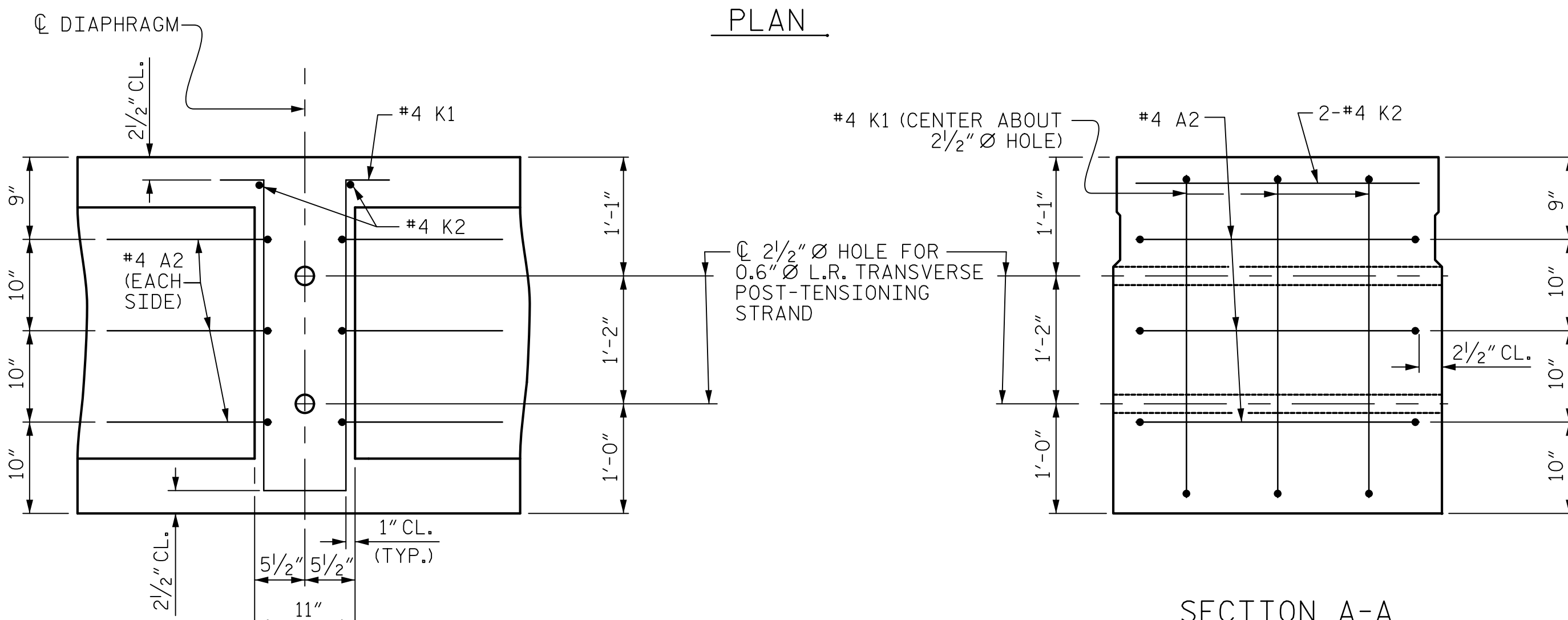


PLAN

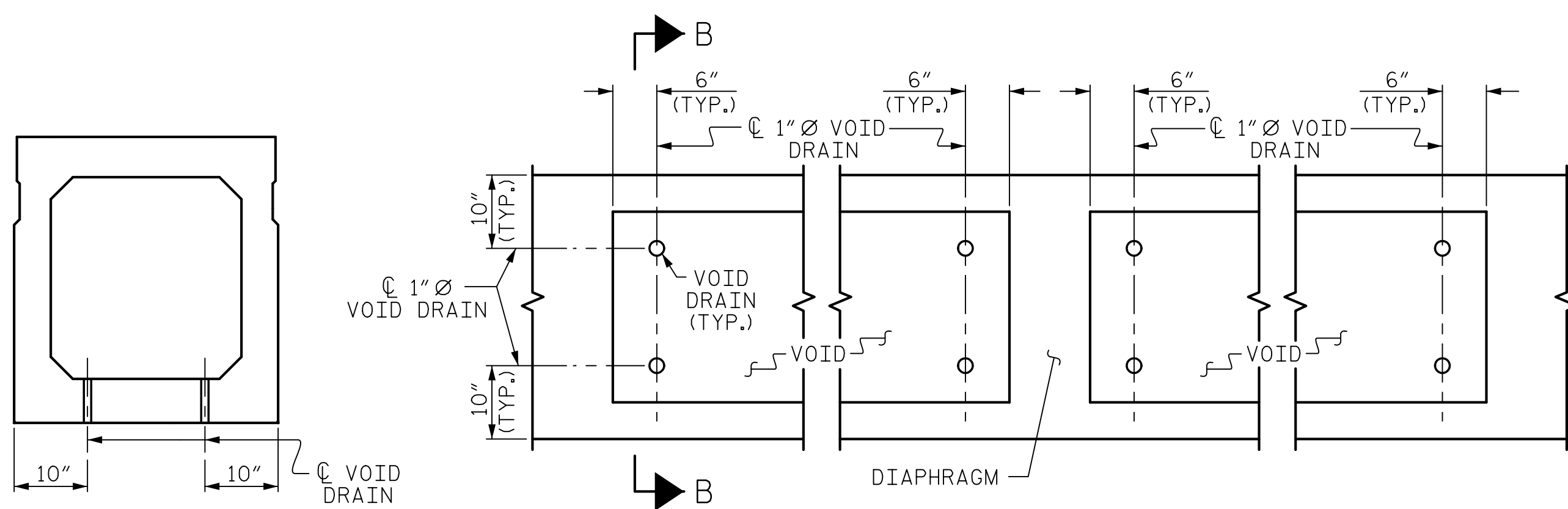


SECTION D-D

SECTION A-A  
VOIDS NOT SHOWN

**DOUBLE DIAPHRAGM DETAILS**

#4 "S" BARS NOT SHOWN. #4 "S" BARS MAY BE SHIFTED SLIGHTLY TO CLEAR 2 1/2" Ø HOLE.

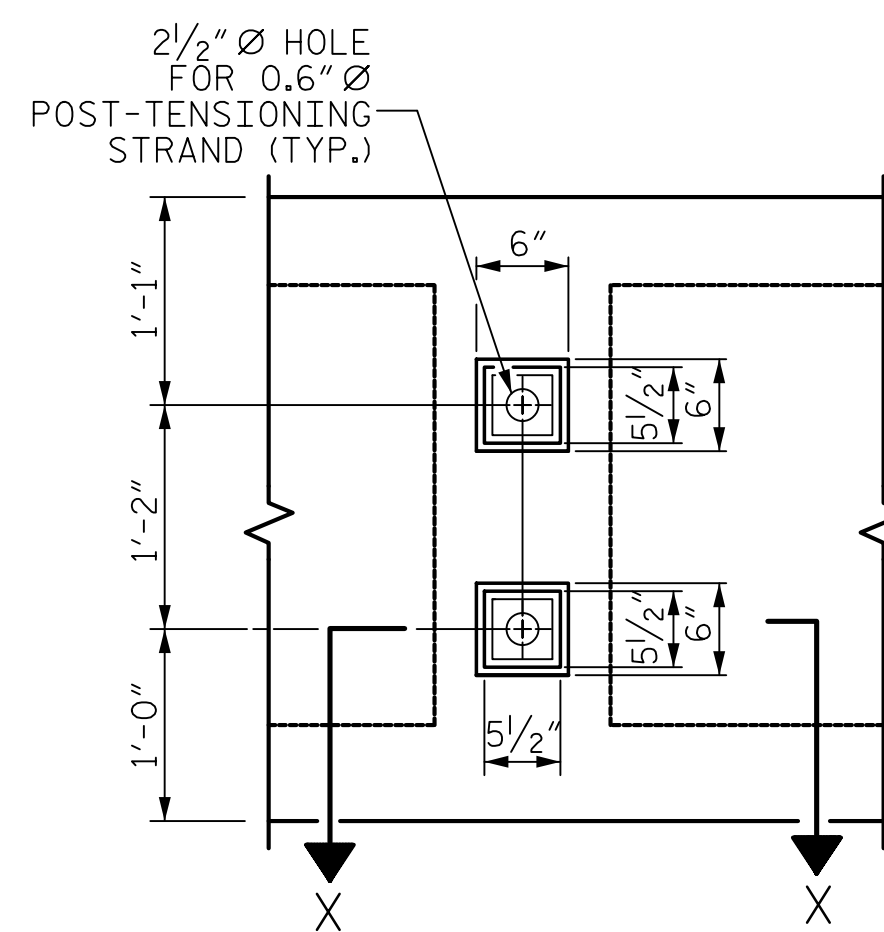


SECTION B-B

PART PLAN

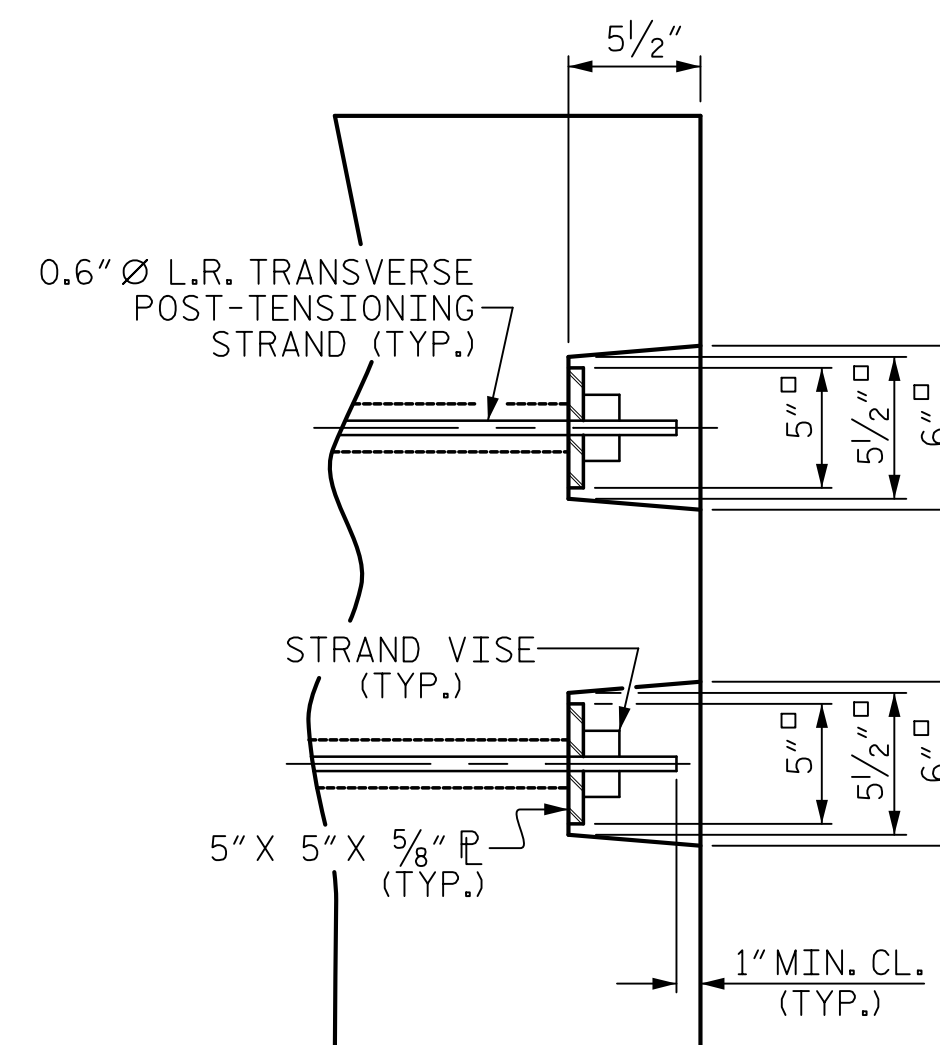
**VOID DRAIN DETAILS**

(DIMENSIONS SHOWN ARE TYPICAL FOR EACH VOID)

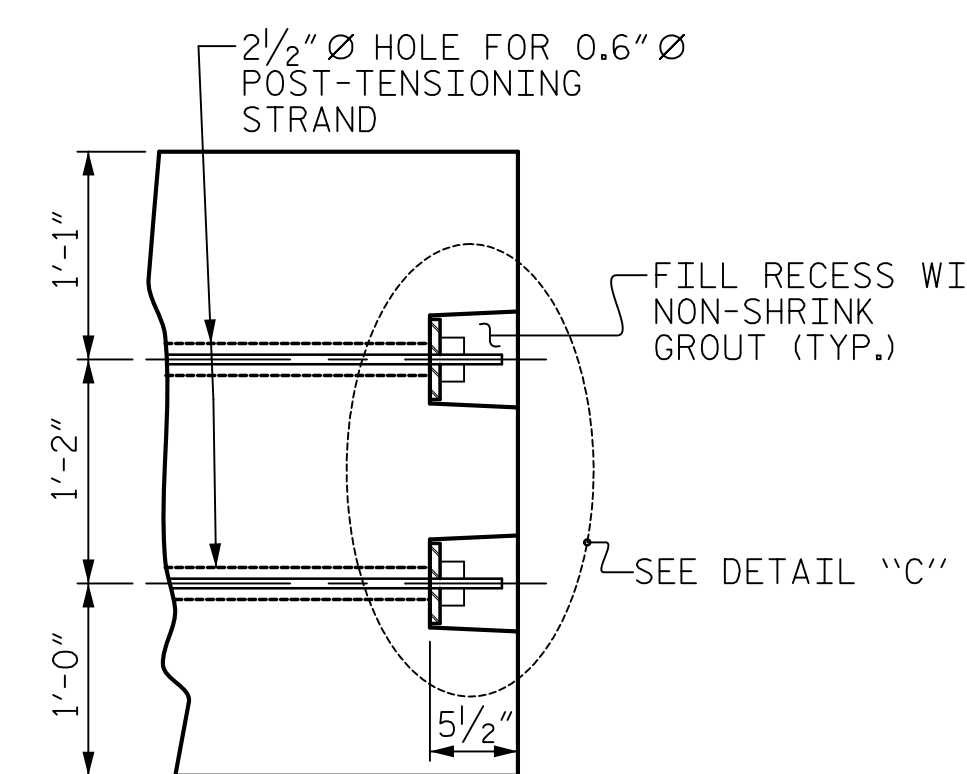


VIEW Y-Y

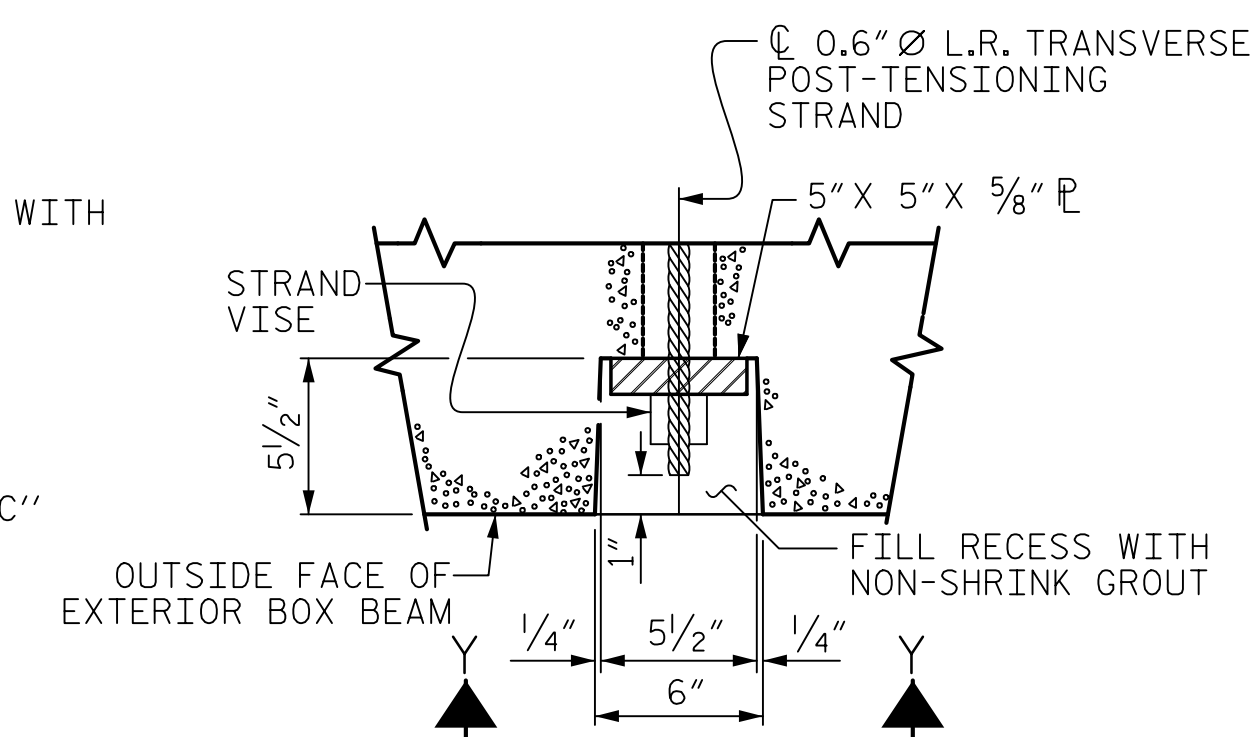
SHOWING ELEVATION VIEW OF GROUTED RECESS



DETAIL "C"



PART SECTION AT RECESS



SECTION X-X  
SHOWING PLAN VIEW OF GROUTED RECESS

**GROUTED RECESS DETAIL AT  
END OF POST-TENSIONED STRANDS  
OF EXTERIOR BOX BEAM**

DEAD LOAD DEFLECTION AND CAMBER	
103'-5" BOX BEAM UNIT (NC & SE)	3'-0" x 3'-3" 0.6" Ø L.R. STRAND
CAMBER (SLAB ALONE IN PLACE)	1 1/16" ↑
DEFLECTION DUE TO SUPERIMPOSED DEAD LOAD**	1/8" ↓
FINAL CAMBER	1 1/16" ↑

\*\* INCLUDES FUTURE WEARING SURFACE

**Mead & Hunt**

133 Fayetteville Street  
Suite 210  
Raleigh, NC 27601  
919-714-8670  
meadhunt.com  
NC License No. F-1235



DocuSigned by:  
**Jack Hobson**  
6/1/2017  
DOCUMENT NOT CONSIDERED  
FINAL UNLESS ALL  
SIGNATURES COMPLETED

PROJECT NO. B-4964  
ROCKINGHAM COUNTY  
STATION: 18+73.69 -L-  
12+70.54 -RAIL-  
SHEET 4 OF 5

STATE OF NORTH CAROLINA  
DEPARTMENT OF TRANSPORTATION  
RALEIGH  
STANDARD  
3'-0" X 3'-3"  
PRESTRESSED CONCRETE  
BOX BEAM UNIT

REVISIONS						SHEET NO.
NO.	BY:	DATE:	NO.	BY:	DATE:	S-08
1			3			TOTAL SHEETS
2			4			16

ASSEMBLED BY : J.S. HOBSON	DATE :06/03/16
CHECKED BY : J.A. LEE	DATE :07/05/16
DRAWN BY : DGE II/II	REV. 8/14
CHECKED BY : TMG II/II	MAA/TMG