

**This electronic collection of documents is provided
for the convenience of the user
and is Not a Certified Document –**

**The documents contained herein were originally issued
and sealed by the individuals whose names and license
numbers appear on each page, on the dates appearing
with their signature on that page.**

**This file or an individual page
shall not be considered a certified document.**

STATE OF NORTH CAROLINA
DIVISION OF HIGHWAYS

Quantities are approximate only. The Resident Engineer will re-cross-section the work accurately when the project is staked out. These cross-section notes will be used in computing the final quantities for which the contractor will be paid.

NOTE: EMBANKMENT COLUMN DOES NOT INCLUDE BACKFILL FOR UNDERCUT

CROSS-SECTION SUMMARY

Station	Uncl. Exc.	Embt	Station	Uncl. Exc.	Embt	Station	Uncl. Exc.	Embt	Station	Uncl. Exc.	Embt	Station	Uncl. Exc.	Embt	Station	Uncl. Exc.	Embt
L	(cu. yd.)	(cu. yd.)		(cu. yd.)	(cu. yd.)		(cu. yd.)	(cu. yd.)		(cu. yd.)	(cu. yd.)		(cu. yd.)	(cu. yd.)		(cu. yd.)	(cu. yd.)
10+10.00	0	0															
10+50.00	1	1															
11+00.00	1	2															
11+50.00	1	5															
12+00.00	0	10															
12+50.00	0	29															
13+00.00	0	57															
13+50.00	0	82															
14+00.00	0	105															
14+50.00	0	113															
15+00.00	0	95															
15+26.24	4	24															
SKIP STATION RANGE 15+26.25 TO 16+93.75																	
16+93.76	0	0															
17+00.00	5	1															
17+50.00	21	17															
18+00.00	0	23															
18+50.00	0	22															
18+75.00	1	17															
19+00.00	3	16															
19+06.68	1	3															
19+50.00	5	10															
20+00.00	1	5															
20+40.00	1	3															

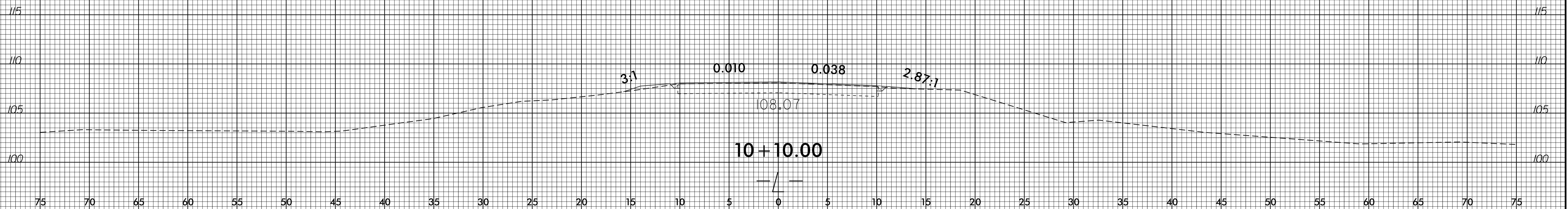
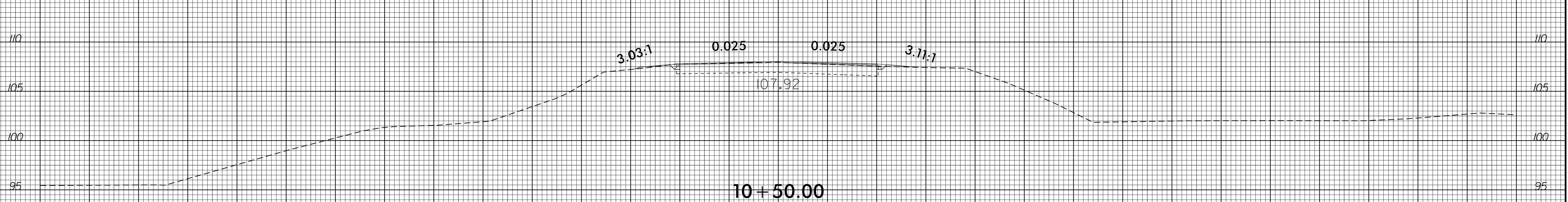
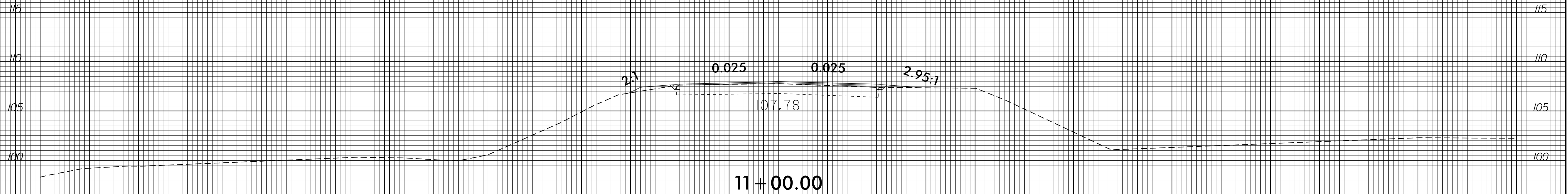
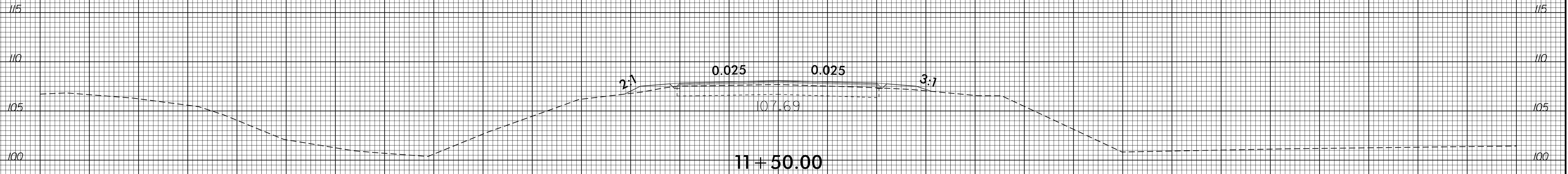
6/23/16



PROJ. REFERENCE NO.
B-4770

SHEET NO.
X-1

75 70 65 60 55 50 45 40 35 30 25 20 15 10 5 0 5 10 15 20 25 30 35 40 45 50 55 60 65 70 75



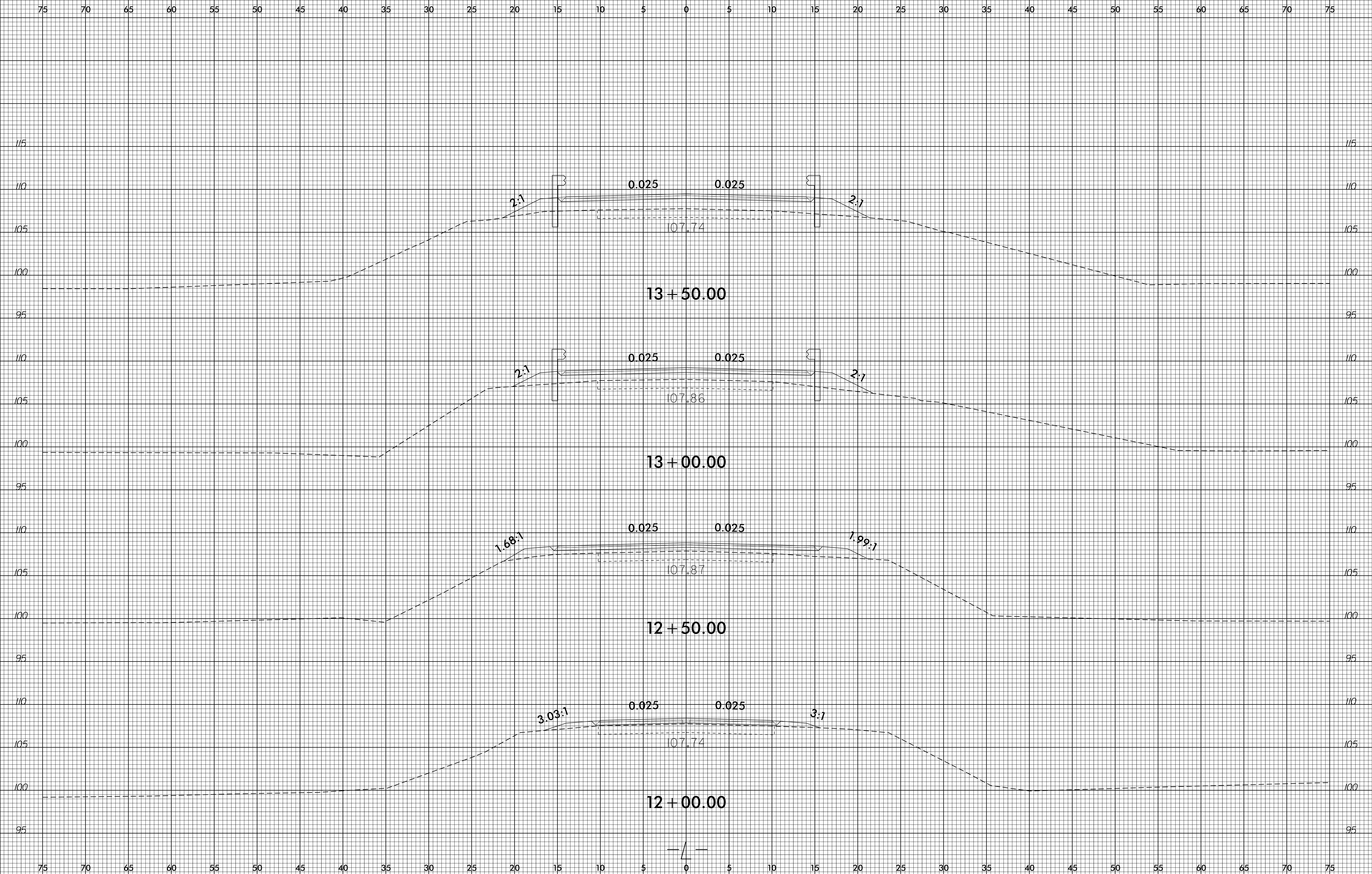
29 JUN 2017 14:37
J:\059170\Roadwork\SS\B4770_RdJ_xpl.dgn
A1_BX1X2

6/23/16



PROJ. REFERENCE NO.	SHEET NO.
B-4770	X-2

PROJ. REFERENCE NO.	SHEET NO.
B-4770	X-2



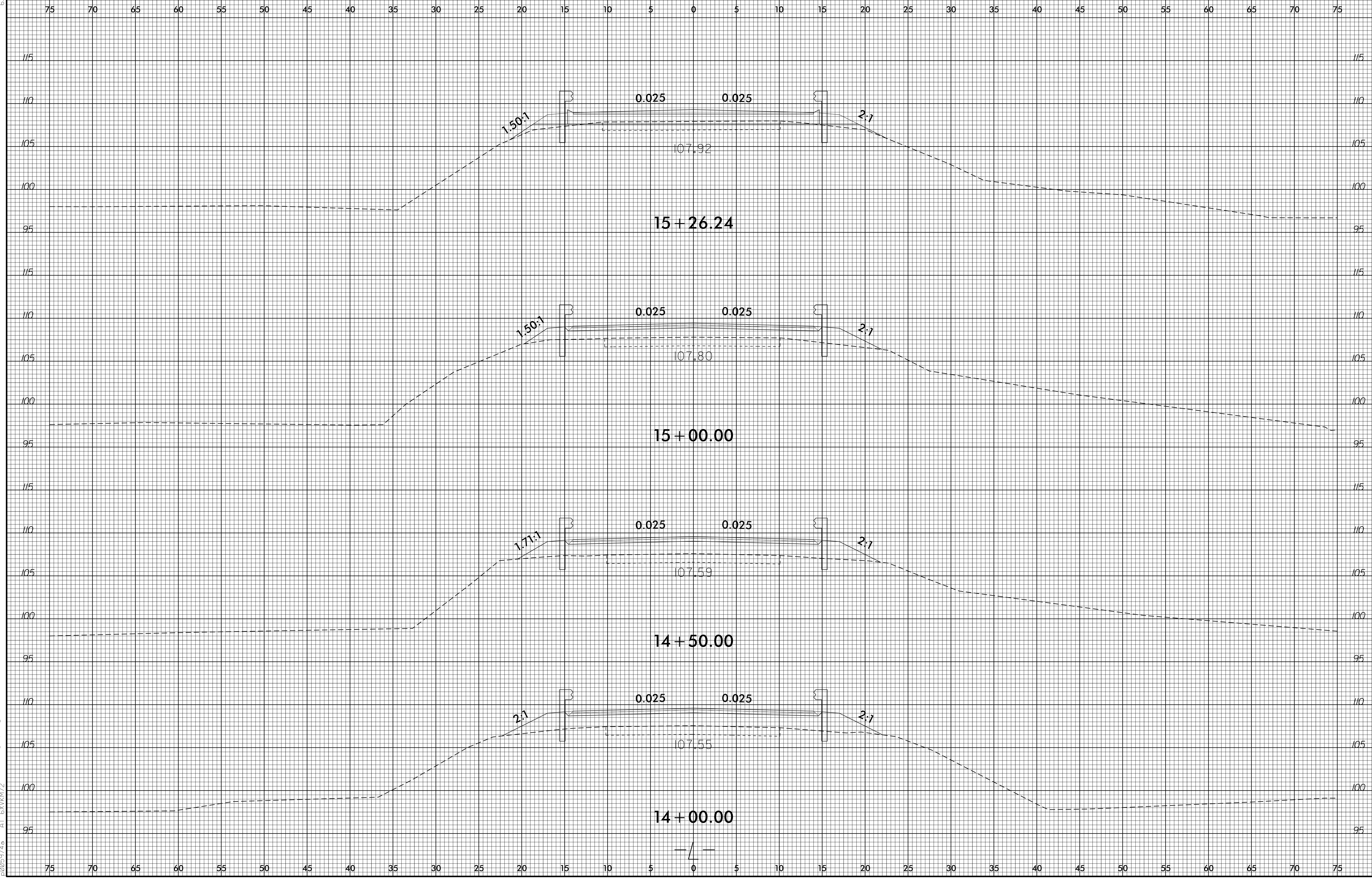
29-JUN-2017 14:37
 J:\0859170\AR\pdp\B4770_RdJ_xpl.dgn
 AT: B4770_2

6/23/16



PROJ. REFERENCE NO.
B-4770

SHEET NO.
X-3



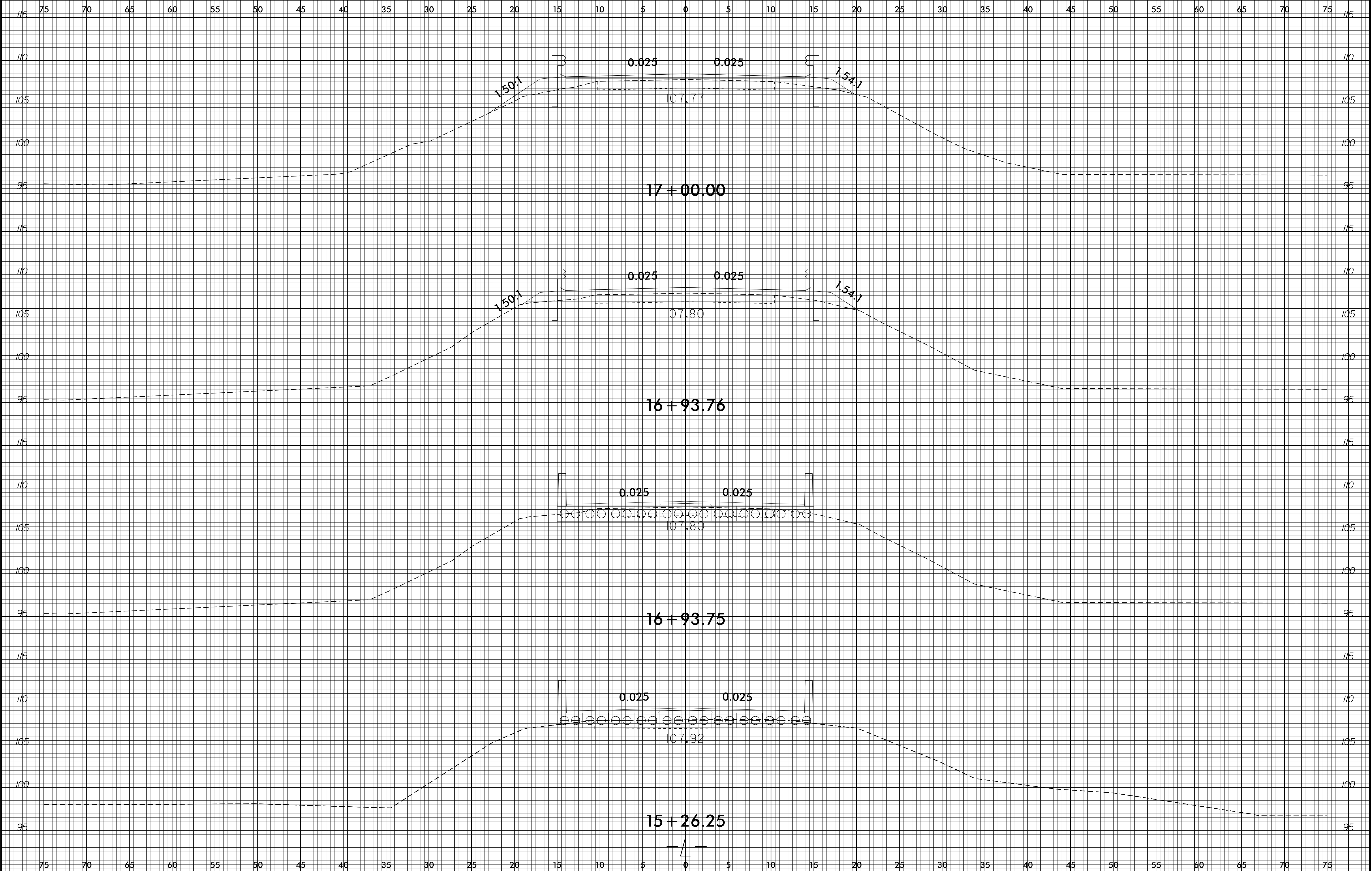
29-JUN-2017 14:37
J:\0859170\AR\pdp\B4770\B4770_RdJ_xpl.dgn
A1_B4770_2

6/23/16



PROJ. REFERENCE NO.
B-4770

SHEET NO.
X-4



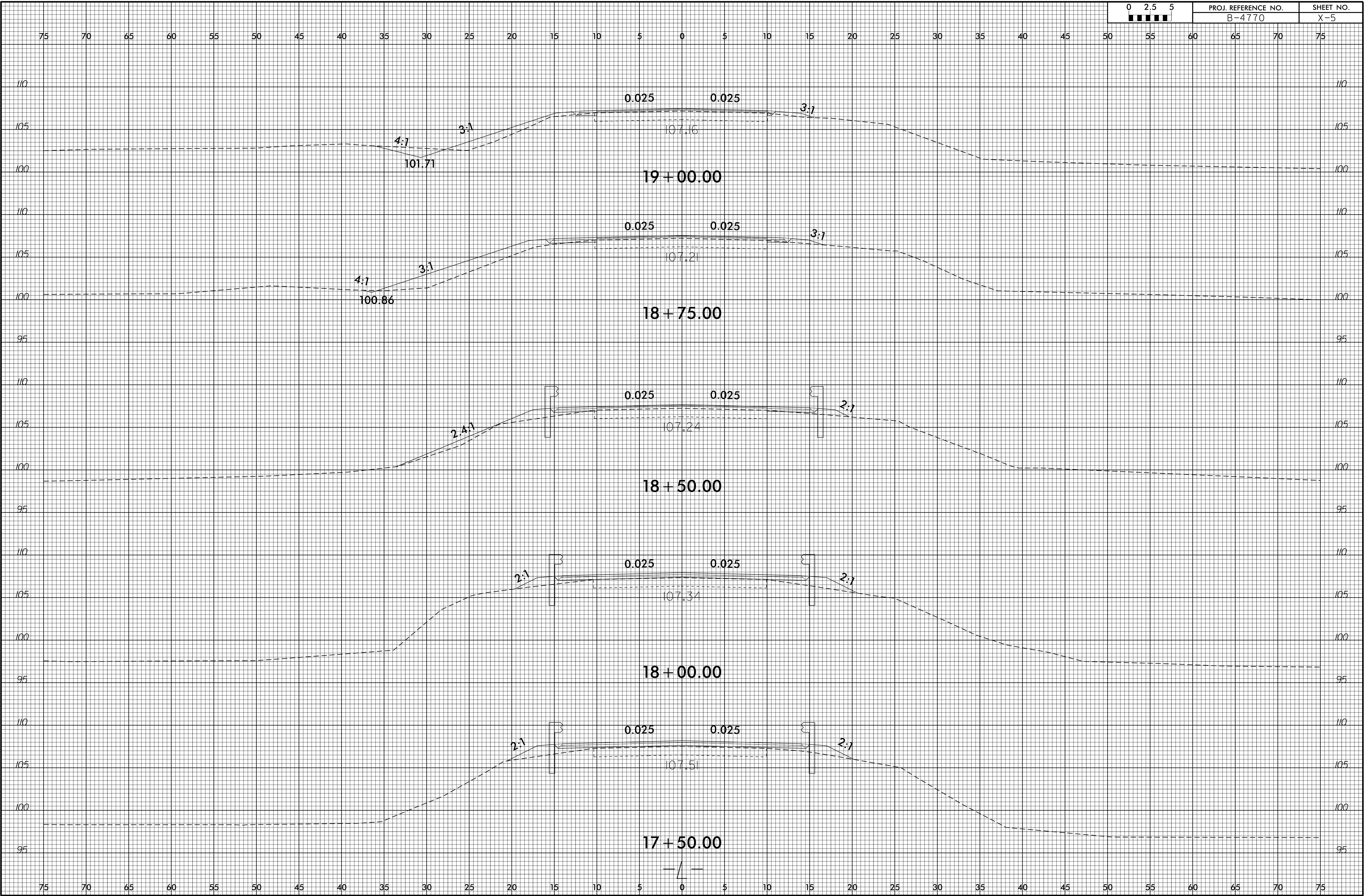
29-JUN-2017 14:37
J:\059170\AR\pdp\X\3\B4770_RdJ_xpl.dgn
AT:BX\X\2

6/23/16



PROJ. REFERENCE NO.
B-4770

SHEET NO.
X-5



29-JUN-2017 14:37
J:\059170\Roadwork\SS\B4770_RdJ_xpl.dgn
A1_BX1X2

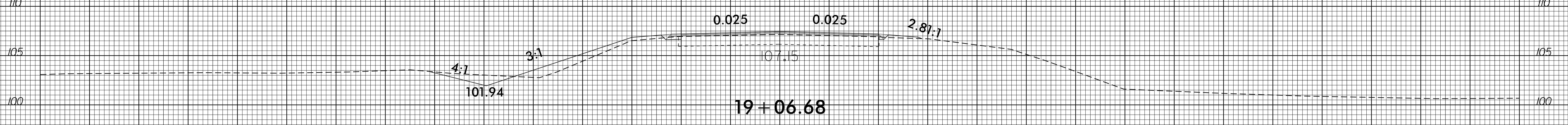
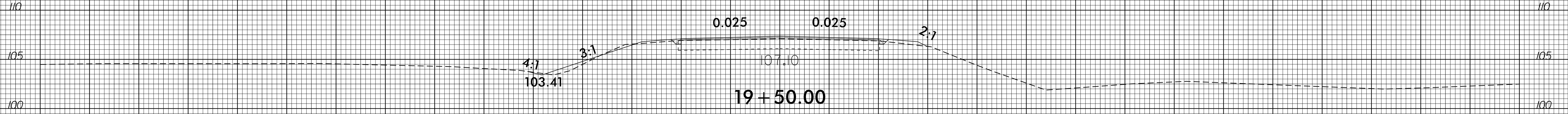
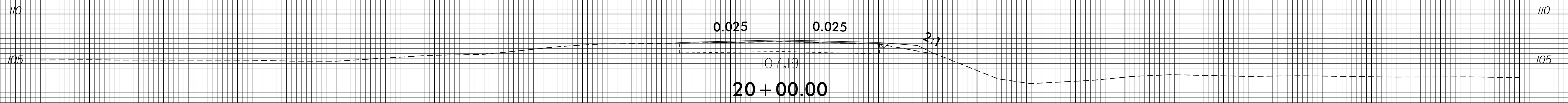
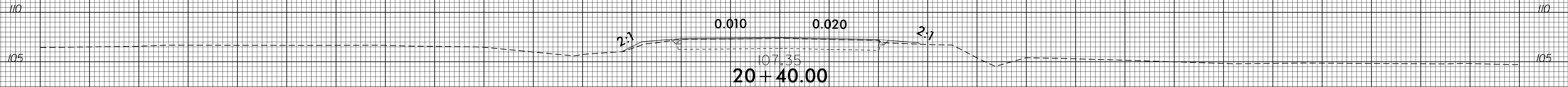
6/23/16



PROJ. REFERENCE NO.	SHEET NO.
B-4770	X-6

PROJ. REFERENCE NO.	SHEET NO.
B-4770	X-6

75 70 65 60 55 50 45 40 35 30 25 20 15 10 5 0 5 10 15 20 25 30 35 40 45 50 55 60 65 70 75



75 70 65 60 55 50 45 40 35 30 25 20 15 10 5 0 5 10 15 20 25 30 35 40 45 50 55 60 65 70 75

29-JUN-2017 14:37
J:\0859170\AR\pdp\X\2\B4770_RdJ_xpl.dgn
6/23/16 11:45