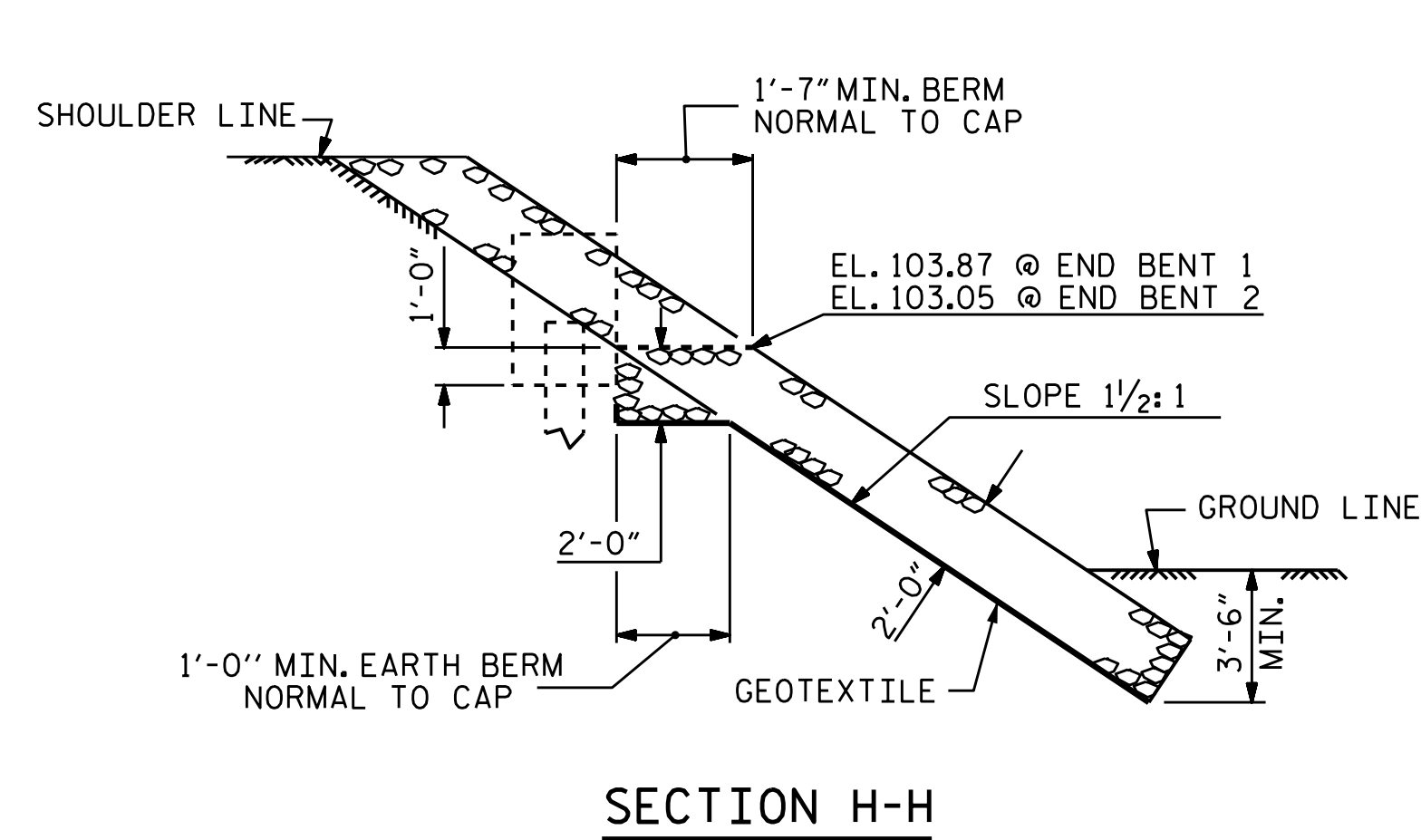
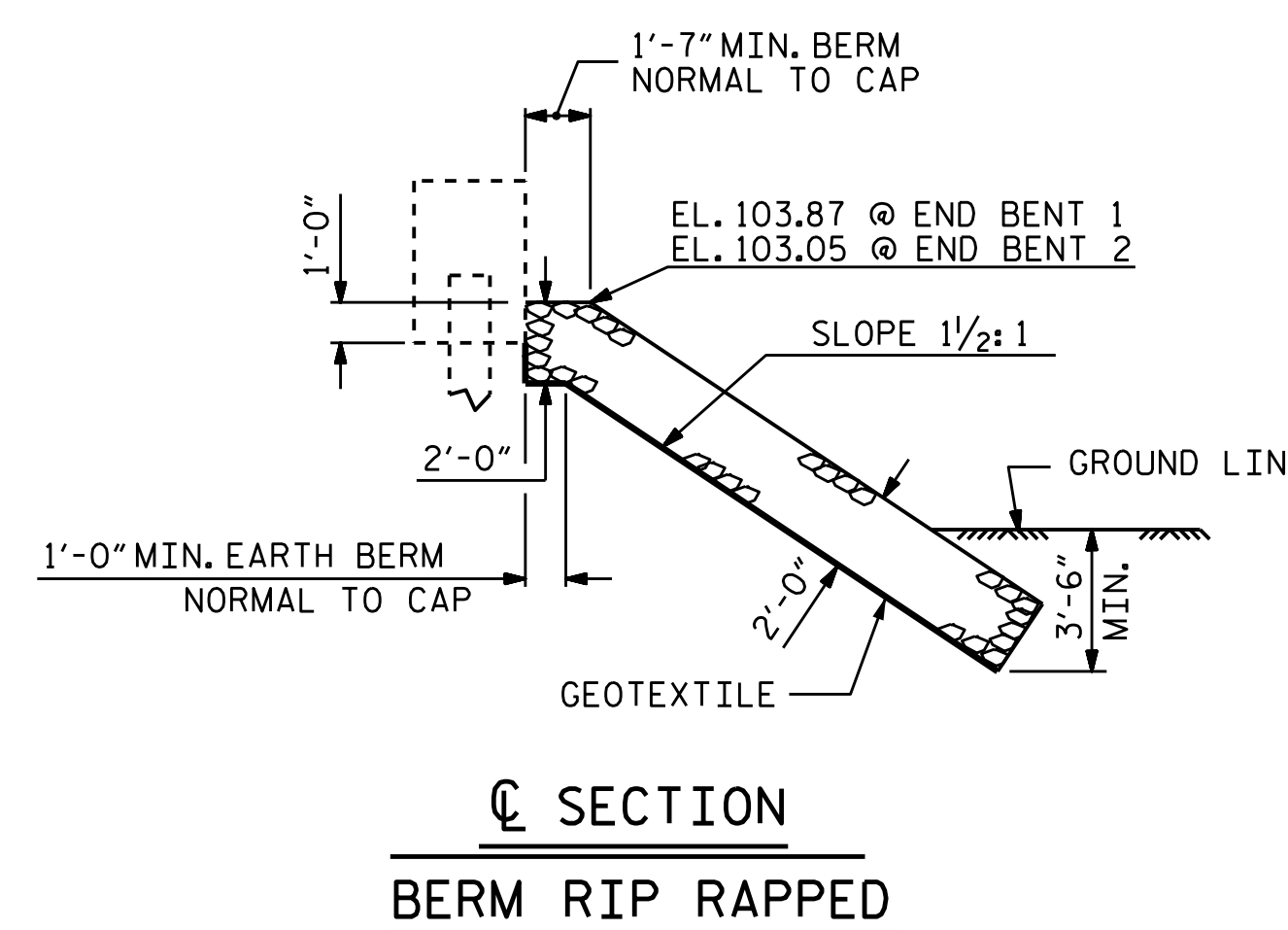


NOTES :  
FOR BERM WIDTH DIMENSIONS, SEE GENERAL DRAWING.

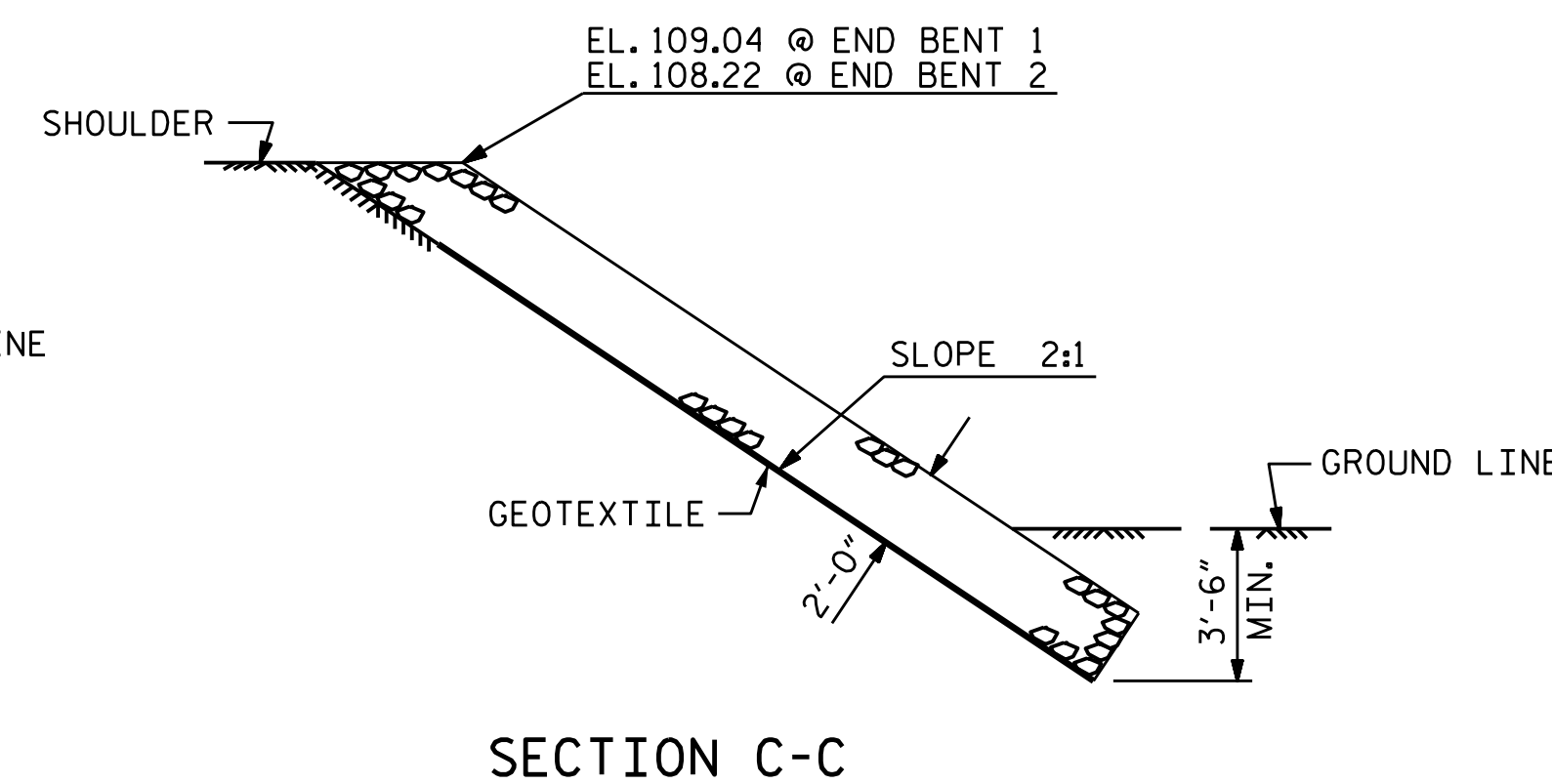
ESTIMATED QUANTITIES		
BRIDGE @ STA. 16+10.00 -L-	RIP RAP CLASS II (2'-0" THICK)	GEOTEXTILE FOR DRAINAGE
	TONS	SQUARE YARDS
END BENT 1	180	200
END BENT 2	175	195



SECTION H-H



SECTION C-C  
BERM RIP RAPPED



SECTION C-C

PROJECT NO. B-4770  
JOHNSTON COUNTY  
STATION: 16+10.00 -L-



DocuSigned by:  
Greg Dickey  
6/20/2017

STATE OF NORTH CAROLINA  
DEPARTMENT OF TRANSPORTATION  
RALEIGH  
STANDARD  
= RIP RAP DETAILS =

ASSEMBLED BY : P.N.HOLDER	DATE : 08/16
CHECKED BY : S.B.WILLIAMS	DATE : 08/16
DRAWN BY : REK 1/84	REV. 5/1/06R TLA/GM
CHECKED BY : ROU 1/84	REV. 10/1/11 MAA/GM
	REV. 12/21/11 MAA/GM

DOCUMENT NOT CONSIDERED  
FINAL UNLESS ALL  
SIGNATURES COMPLETED

REVISIONS						SHEET NO.	
NO.	BY:	DATE:	NO.	BY:	DATE:	S-20	
1			3			TOTAL	21
2			4			SHEETS	21