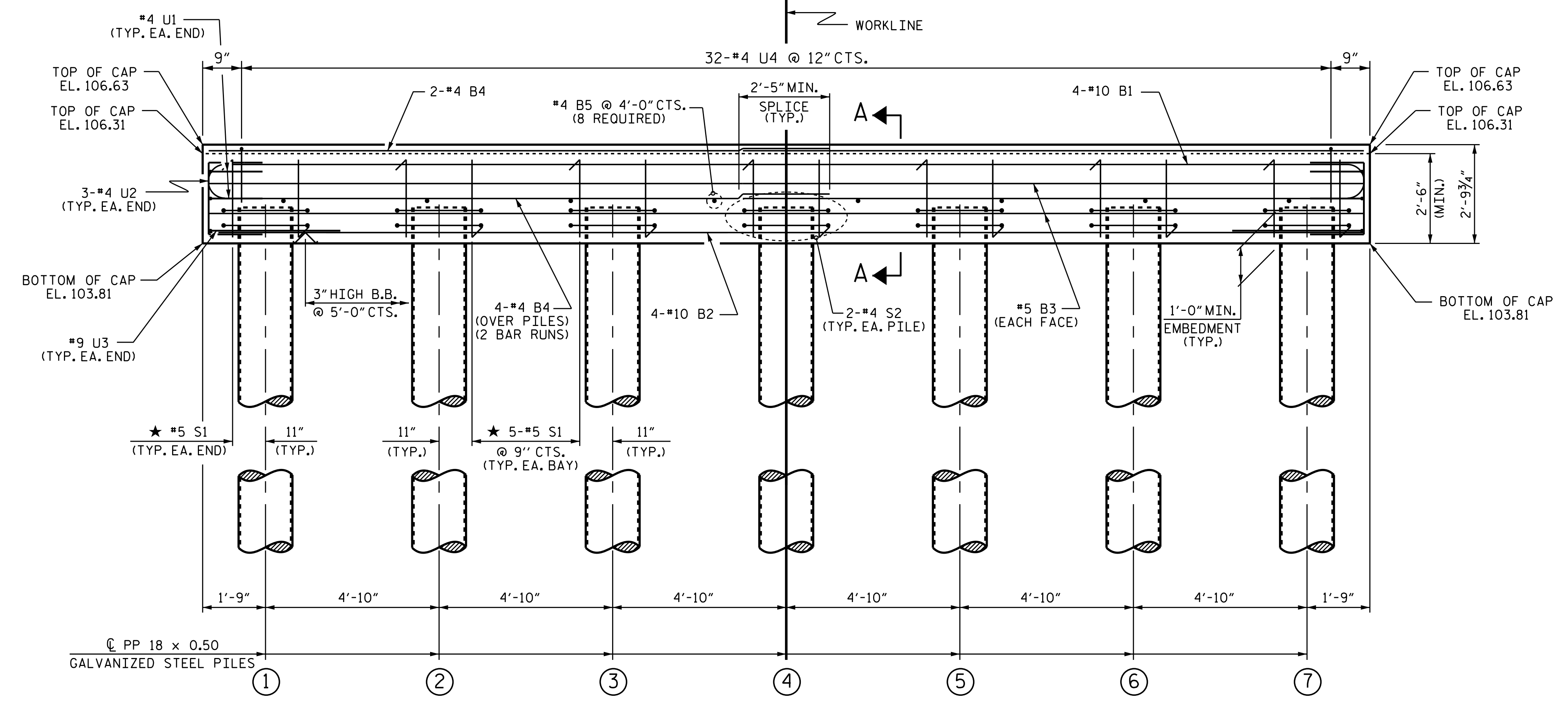
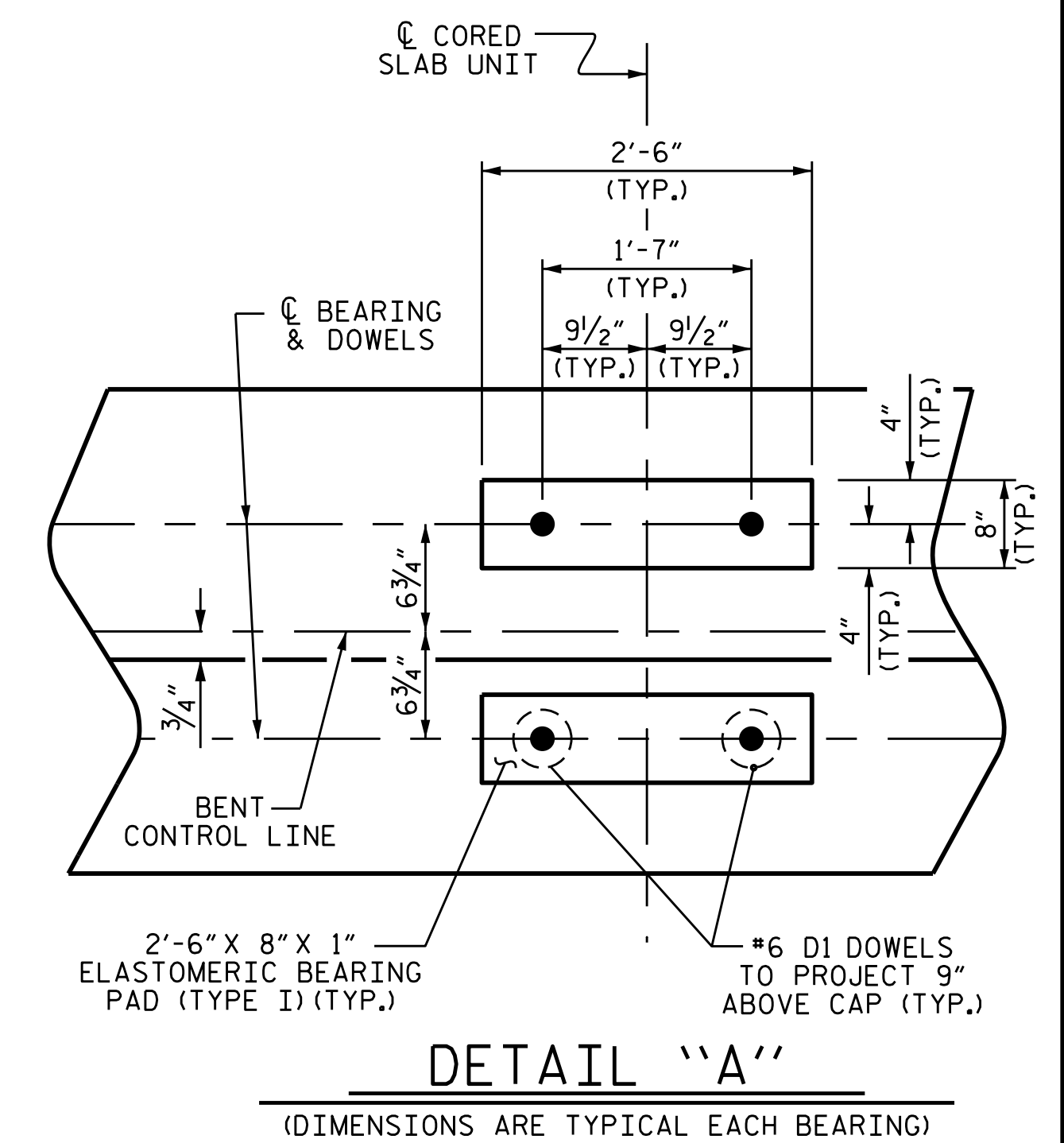
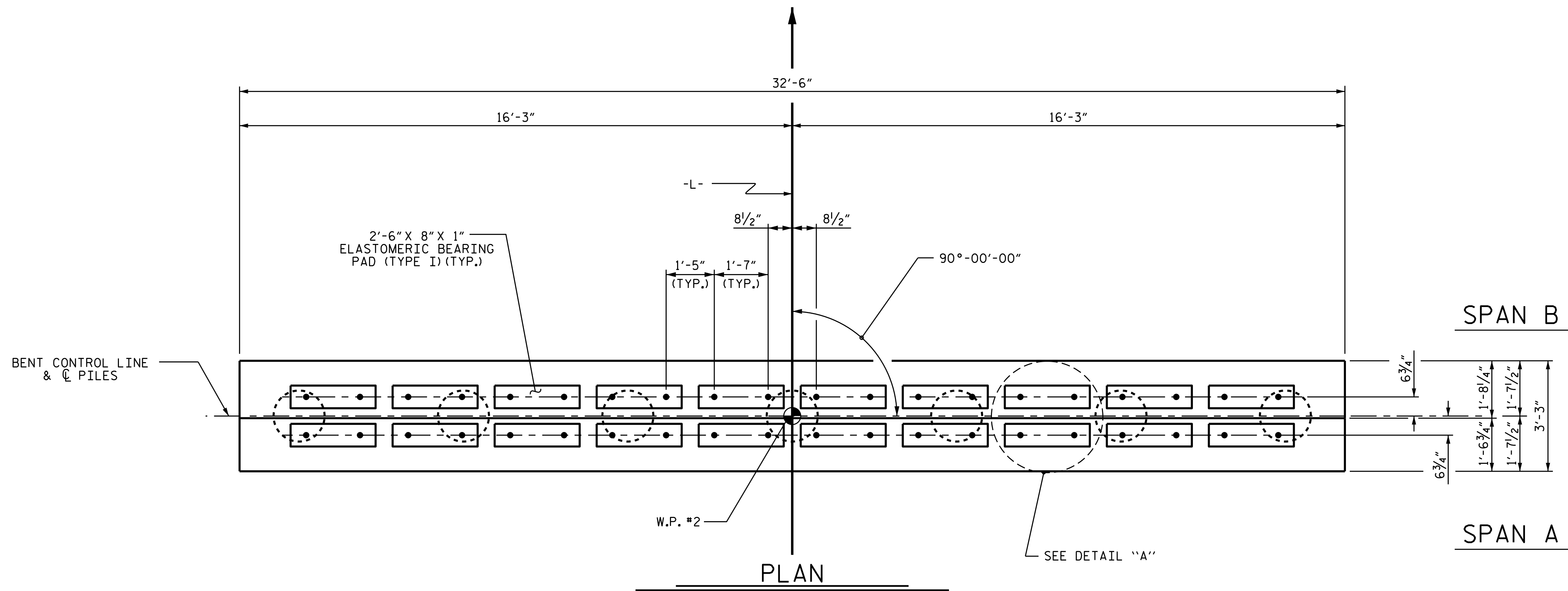


**NOTES**

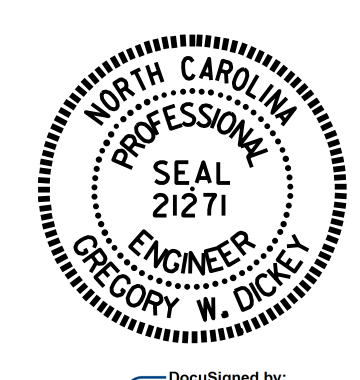
- STIRRUPS IN CAP MAY BE SHIFTED AS NECESSARY TO CLEAR DOWELS.
- ★ INVERT ALTERNATE STIRRUPS.
- FOR ADDITIONAL REINFORCING STEEL IN PP 18 x 0.50 GALVANIZED STEEL PILES, SEE SHEET 4 OF 4.
- GALVANIZE THE FULL LENGTH OF EACH INTERIOR BENT PILE IN ACCORDANCE WITH SECTION 1076 OF THE STANDARD SPECIFICATIONS.



**ELEVATION**  
FOR SECTION A-A, SEE SHEET 3 OF 4

PROJECT NO. B-4770  
JOHNSTON COUNTY  
 STATION: 16+10.00 -L-

SHEET 1 OF 4



STATE OF NORTH CAROLINA  
 DEPARTMENT OF TRANSPORTATION  
 RALEIGH

**SUBSTRUCTURE  
 BENT No. 1**

ASSEMBLED BY : P.N.HOLDER DATE : 08/16  
 CHECKED BY : S.B.WILLIAMS DATE : 08/16  
 DRAWN BY : DGE 06/10  
 CHECKED BY : MKT 06/10

REVISIONS

NO.	BY:	DATE:	NO.	BY:	DATE:
1			3		
2			4		

DOCUMENT NOT CONSIDERED FINAL UNLESS ALL SIGNATURES COMPLETED

SHEET NO. S-16  
 TOTAL SHEETS 21