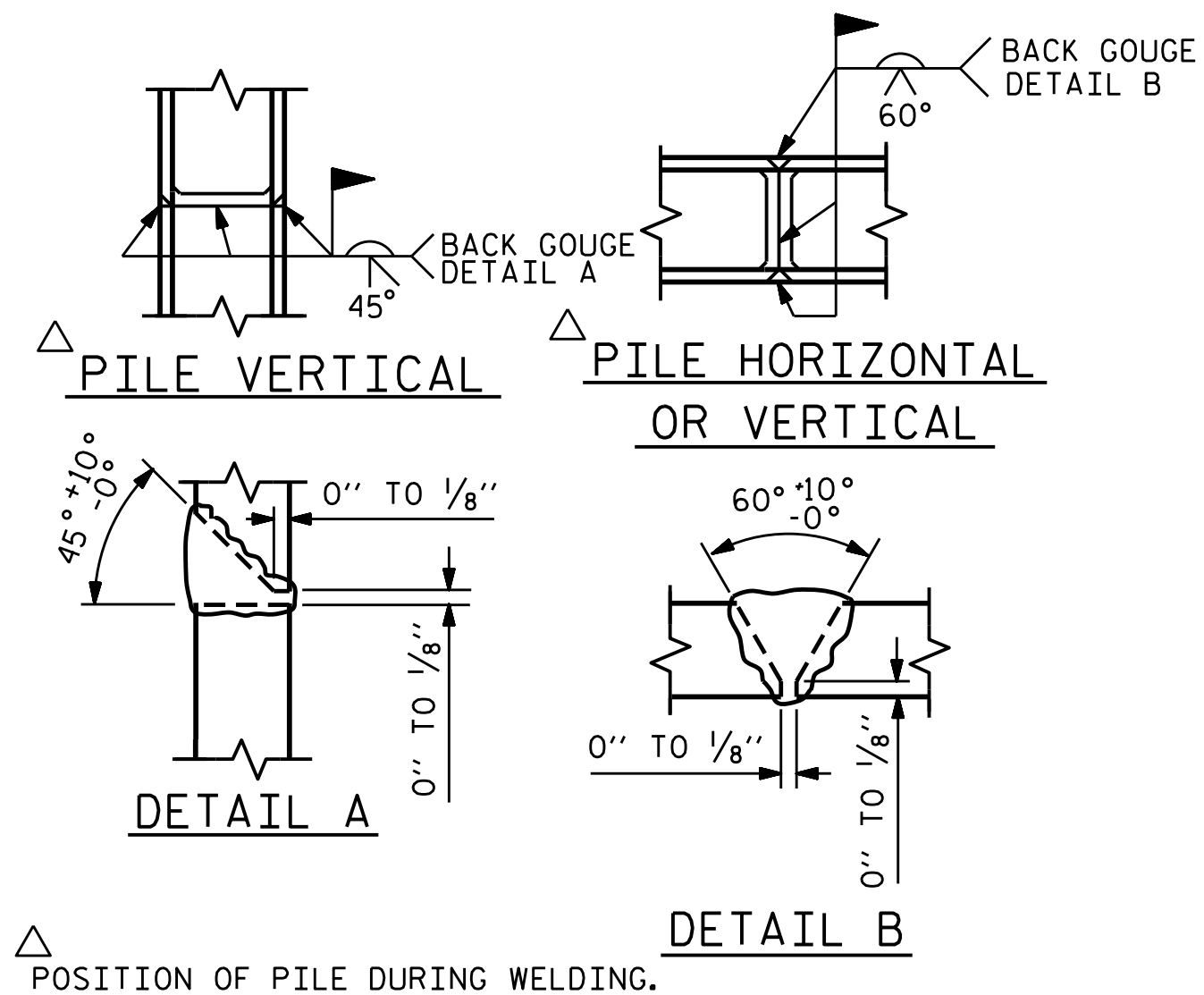


BAGGED STONE AND PIPE SHALL BE PLACED IMMEDIATELY AFTER COMPLETION OF END BENT EXCAVATION. PIPE MAY BE EITHER CONCRETE, CORRUGATED STEEL, CORRUGATED ALUMINUM ALLOY, OR CORRUGATED PLASTIC. PERFORATED PIPE WILL NOT BE ALLOWED.

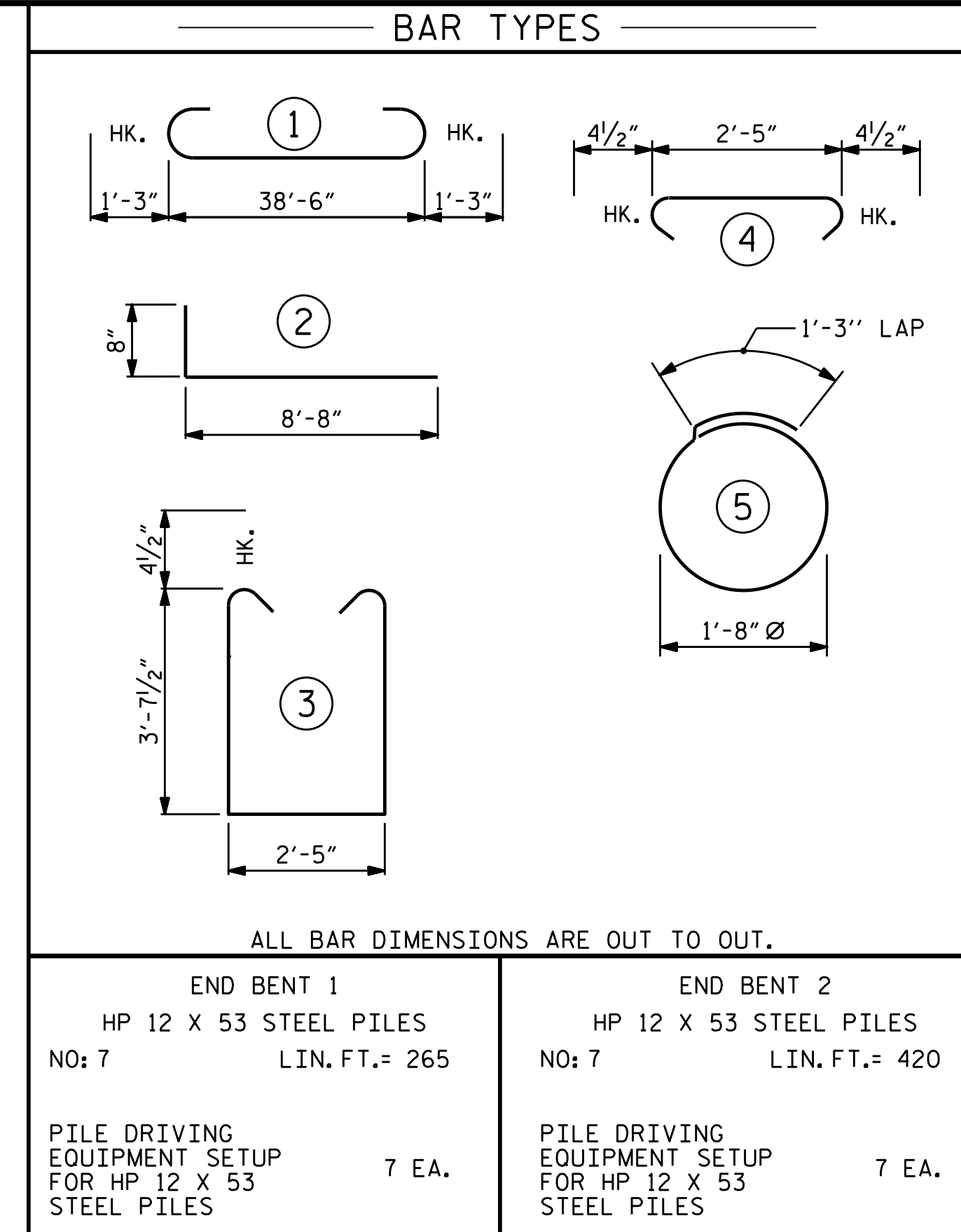
BAGGED STONE SHALL REMAIN IN PLACE UNTIL THE ENGINEER DIRECTS THAT IT BE REMOVED. THE CONTRACTOR SHALL REMOVE AND DISPOSE OF SILT ACCUMULATIONS AT BAGGED STONE WHEN SO DIRECTED BY THE ENGINEER. BAGS SHALL BE REMOVED AND REPLACED WHENEVER THE ENGINEER DETERMINES THAT THEY HAVE DETERIORATED AND LOST THEIR EFFECTIVENESS.

NO SEPARATE PAYMENT WILL BE MADE FOR THIS WORK AND THE ENTIRE COST OF THIS WORK SHALL BE INCLUDED IN THE UNIT CONTRACT PRICE BID FOR THE SEVERAL PAY ITEMS.

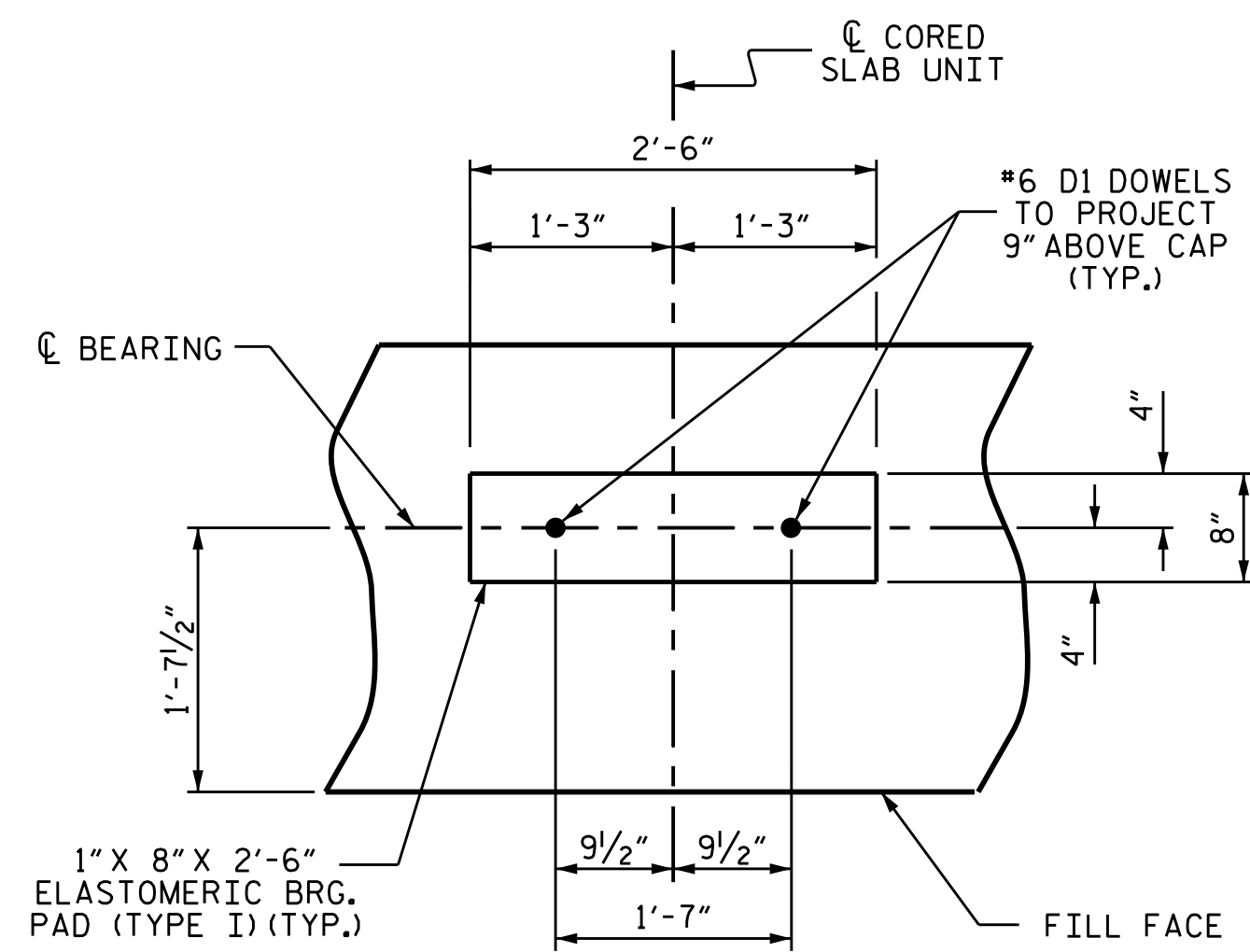
### TEMPORARY DRAINAGE AT END BENT



### PILE SPLICE DETAILS

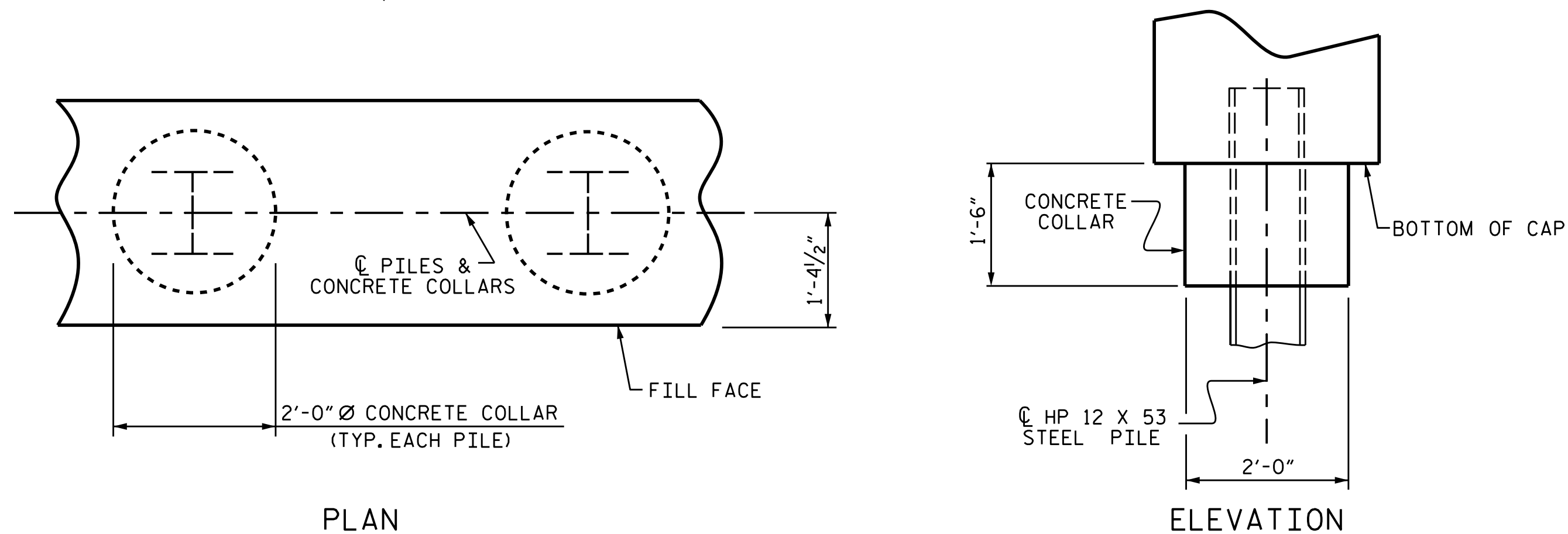


BILL OF MATERIAL FOR ONE END BENT					
BAR NO.	NO.	SIZE	TYPE	LENGTH	WEIGHT
B1	8	#9		41'-0"	1115
B2	28	#4	STR	20'-7"	385
B3	10	#4	STR	2'-5"	16
D1	22	#6	STR	1'-6"	50
H1	40	#4	2	9'-4"	249
K1	16	#4	STR	2'-11"	31
S1	50	#4	3	10'-5"	348
S2	50	#4	4	3'-2"	106
S3	28	#4	5	6'-6"	122
V1	52	#4	STR	6'-2"	214
REINFORCING STEEL (FOR ONE END BENT)					2636 LBS.
CLASS A CONCRETE BREAKDOWN (FOR ONE END BENT)					
POUR #1 CAP, LOWER PART OF WINGS & COLLARS					19.5 C.Y.
POUR #2 UPPER PART OF WINGS					2.3 C.Y.
TOTAL CLASS A CONCRETE					21.8 C.Y.



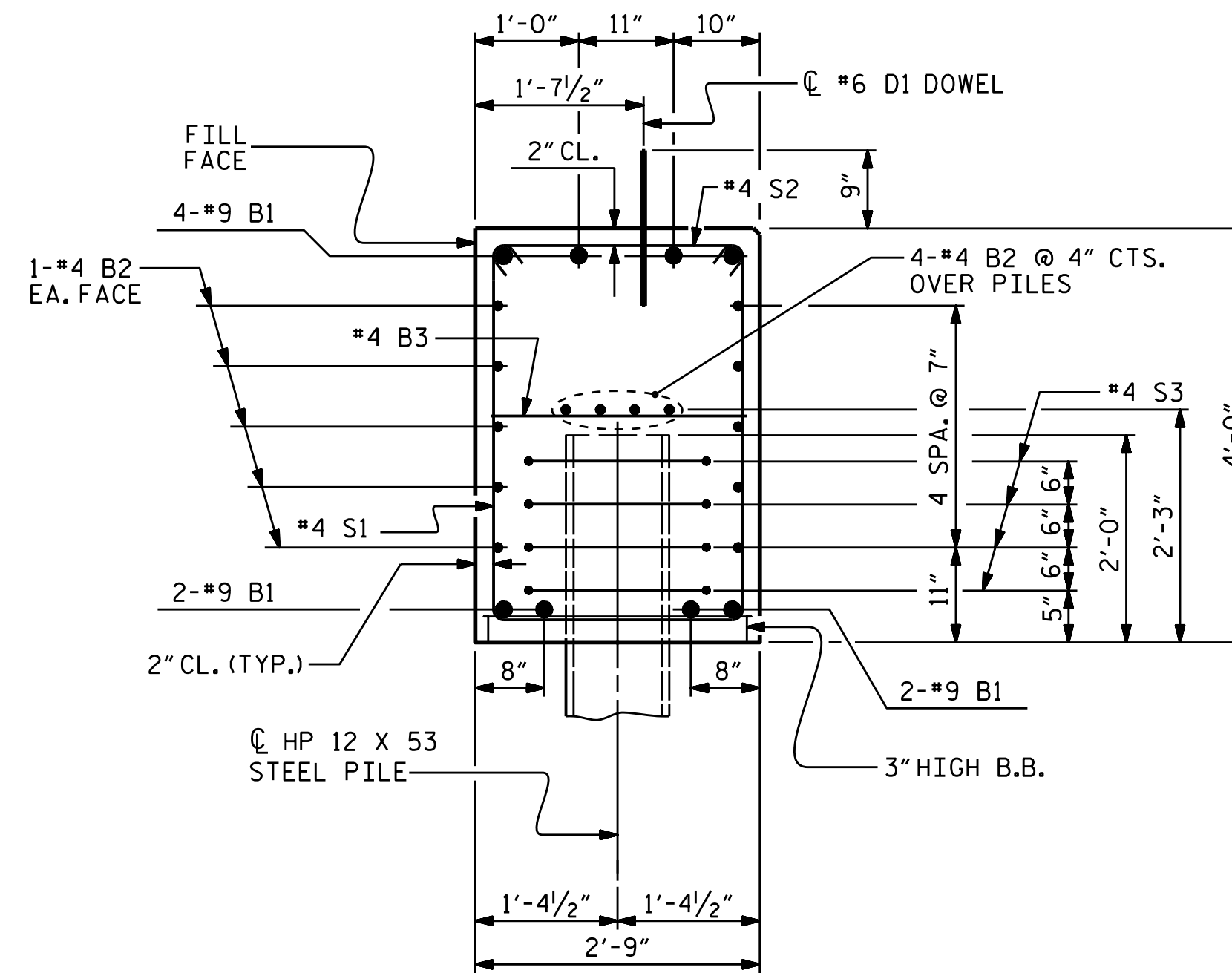
### DETAIL "A"

(END BENT 1 SHOWN, END BENT 2 SIMILAR BY ROTATION)



### CORROSION PROTECTION FOR STEEL PILES DETAIL

(END BENT No. 1 SHOWN, END BENT No. 2 SIMILAR BY ROTATION)



(CONCRETE COLLAR NOT SHOWN FOR CLARITY. SEE "CORROSION PROTECTION FOR STEEL PILES DETAIL.")



PROJECT NO. B-5327  
PERSON COUNTY  
STATION: 13+62.50 -L-

SHEET 4 OF 4

STATE OF NORTH CAROLINA  
DEPARTMENT OF TRANSPORTATION  
RALEIGH

SUBSTRUCTURE  
END BENT 1 & 2  
DETAILS

ASSEMBLED BY: William F. Parker DATE: 08/2016  
CHECKED BY: A. SORSENGINH DATE: 10/2016  
DRAWN BY: WJH 12/11  
CHECKED BY: AAC 12/11

23-MAY-2017 09:48  
R:\Structures\Plans\B5327.SMU.01.EB.dgn  
jdhawk

DOCUMENT NOT CONSIDERED FINAL UNLESS ALL SIGNATURES COMPLETED

REVISIONS					SHEET NO.
NO.	BY:	DATE:	NO.	DATE:	S-12
1			3		TOTAL SHEETS 18
2			4		

STD. NO. EB\_33\_90S4