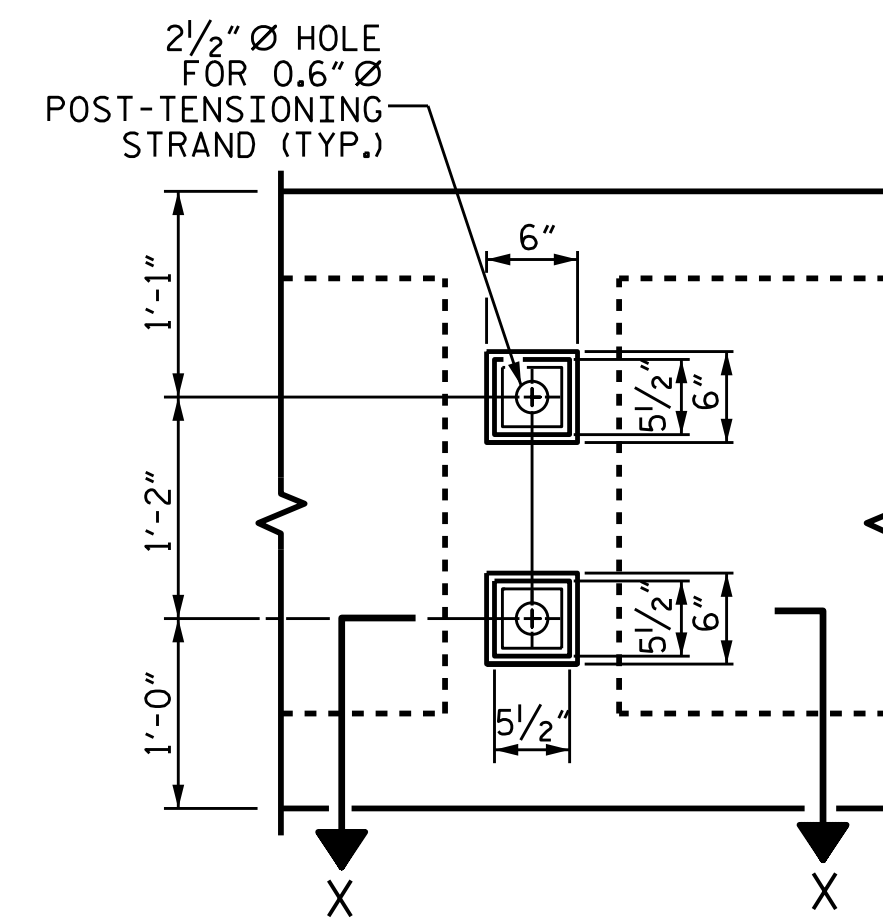
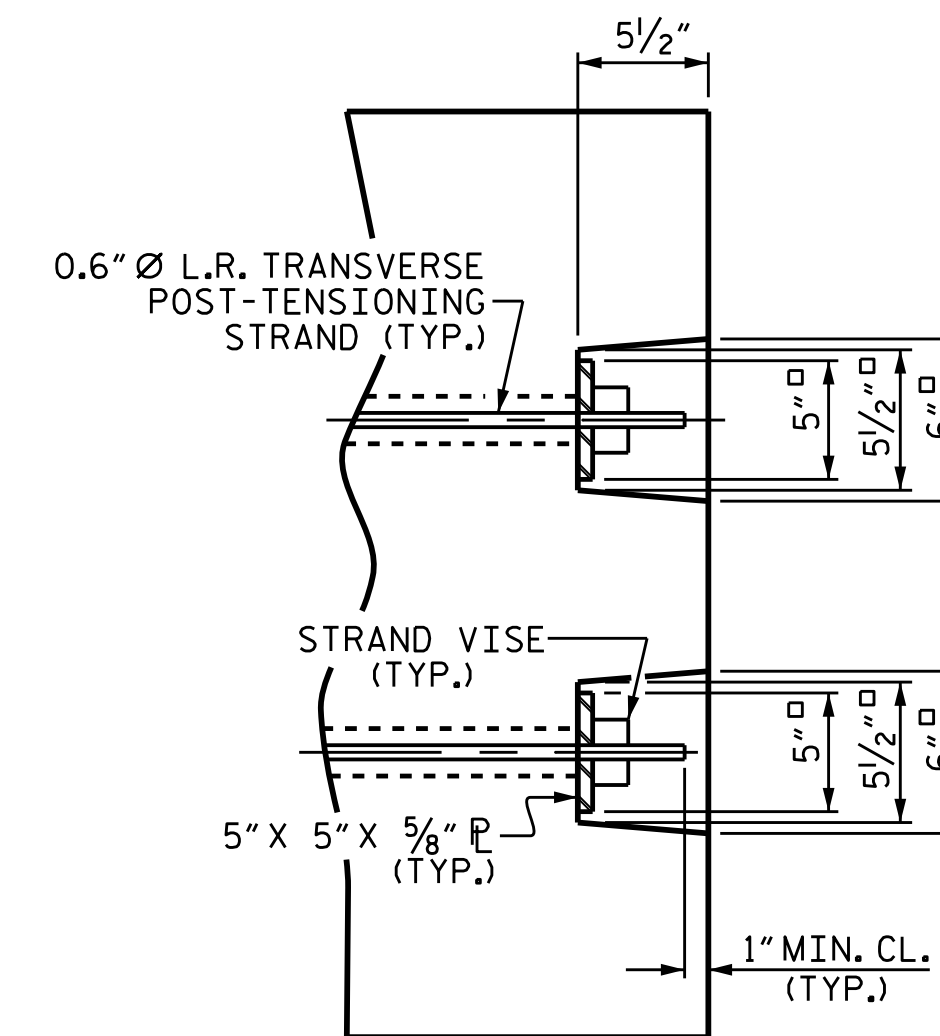


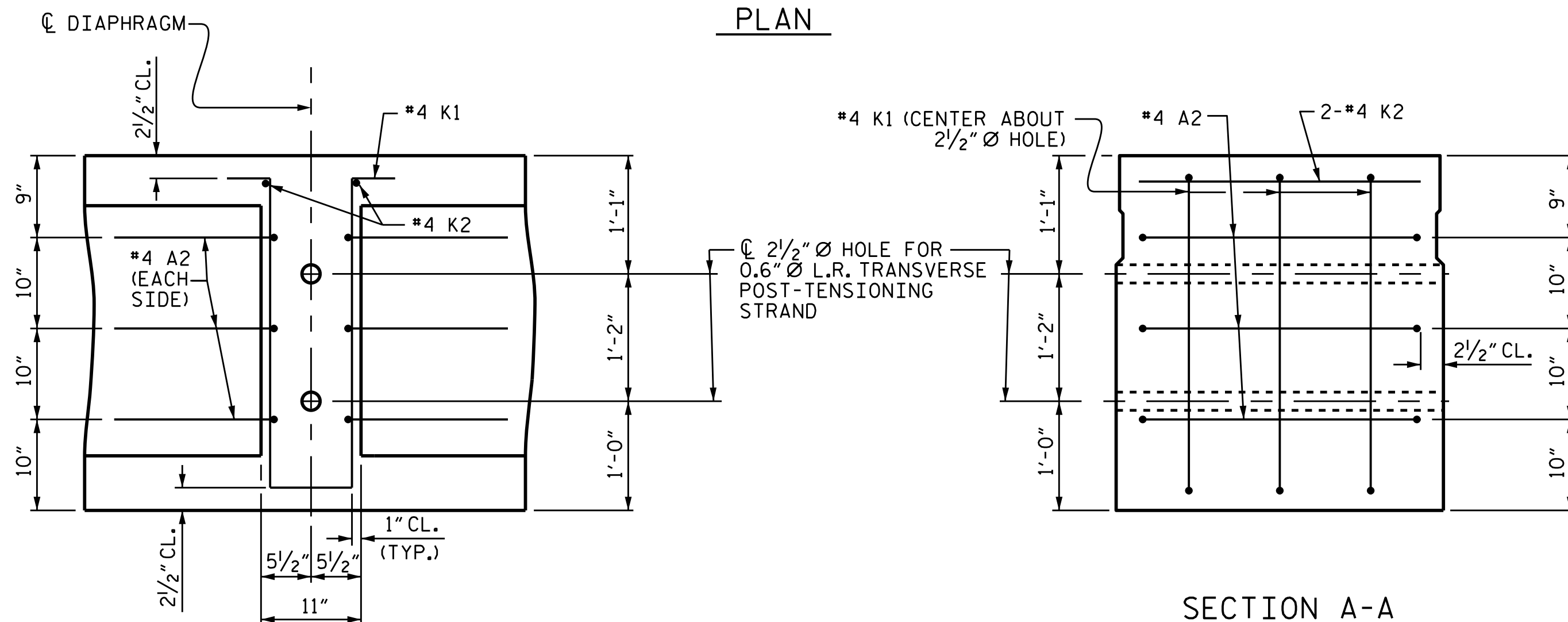
PLAN



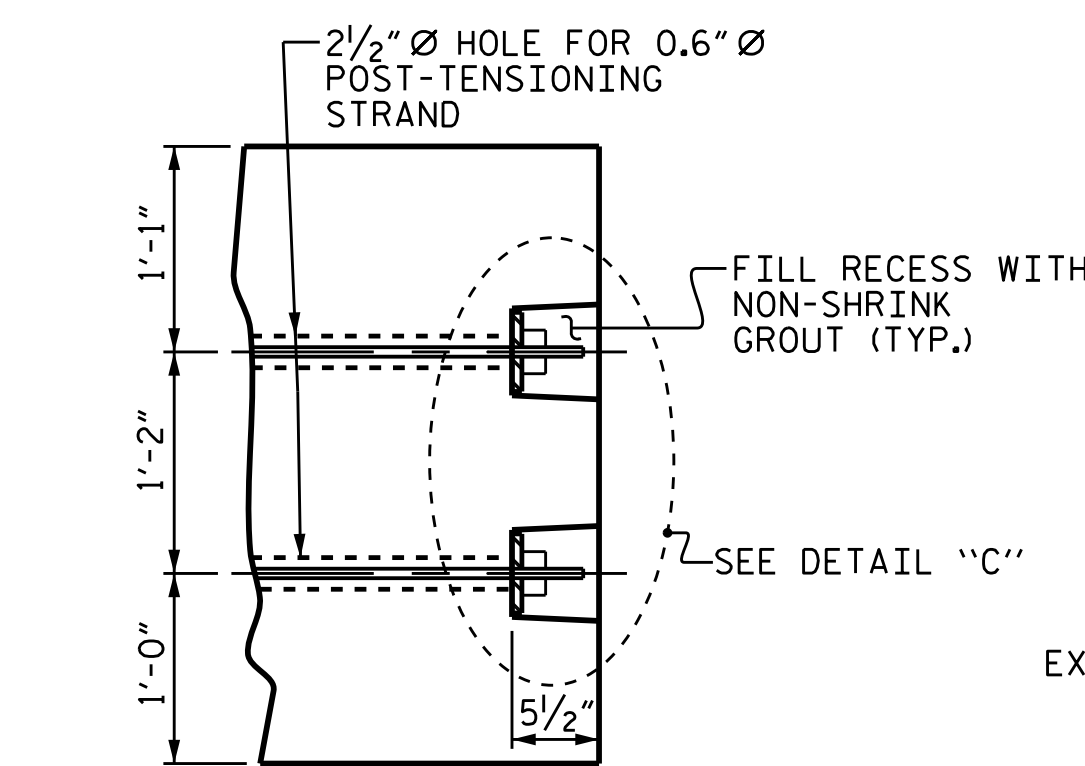
VIEW Y-Y
SHOWING ELEVATION VIEW OF GROUDED RECESS



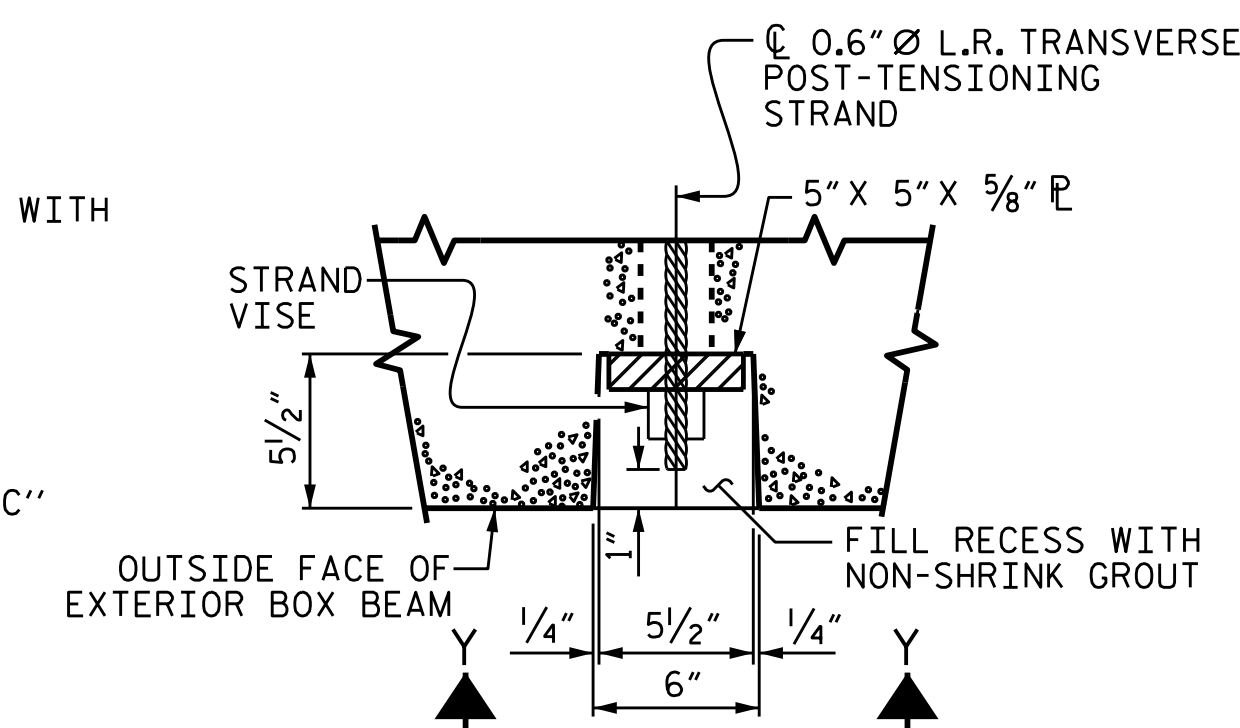
DETAIL "C"



SECTION A-A
VOIDS NOT SHOWN



PART SECTION AT RECESS

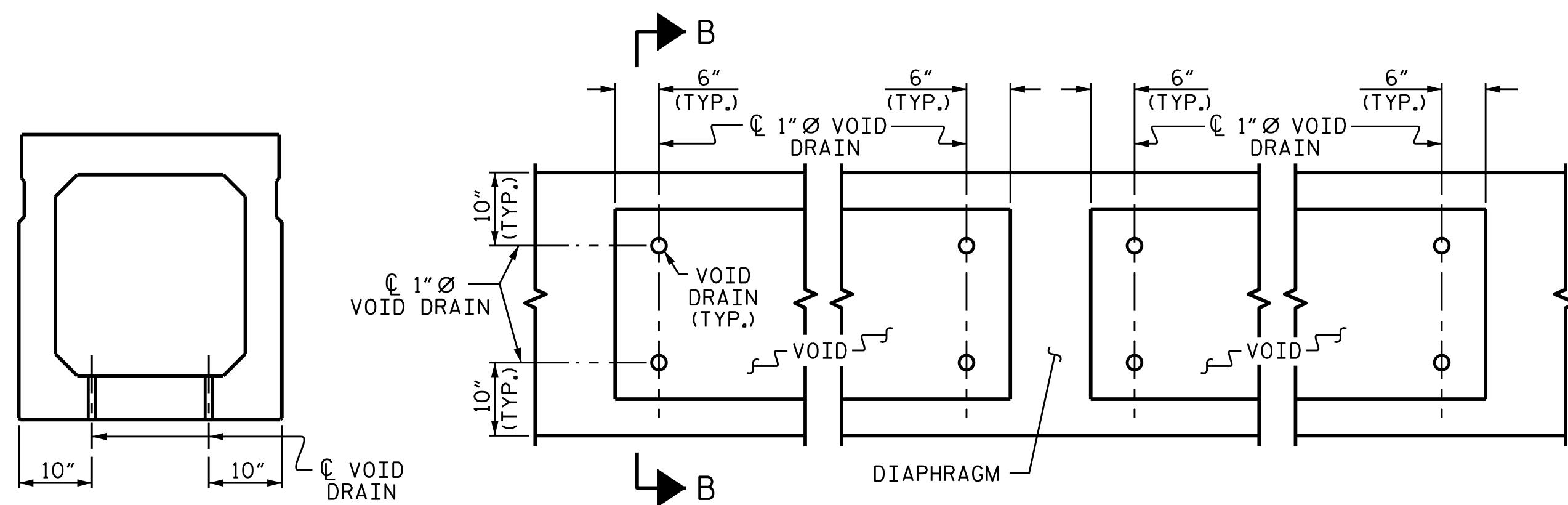


SECTION X-X
SHOWING PLAN VIEW OF GROUDED RECESS

**GROUDED RECESS DETAIL AT
END OF POST-TENSIONED STRANDS
OF EXTERIOR BOX BEAM**

DOUBLE DIAPHRAGM DETAILS

#4 "S" BARS NOT SHOWN. #4 "S" BARS MAY BE SHIFTED SLIGHTLY TO CLEAR 2 1/2" Ø HOLE.



SECTION B-B

PART PLAN

VOID DRAIN DETAILS

(DIMENSIONS SHOWN ARE TYPICAL FOR EACH VOID)

PROJECT NO. B-5348
ORANGE COUNTY
STATION: 14+50.50 -L-

SHEET 4 OF 5



STATE OF NORTH CAROLINA
DEPARTMENT OF TRANSPORTATION
RALEIGH
STANDARD
3'-0" X 3'-3"
PRESTRESSED CONCRETE
BOX BEAM UNIT

ASSEMBLED BY : J.D. HAWK	DATE : 7/16
CHECKED BY : H.B. DESAI	DATE : 10/16
DRAWN BY : DGE II/II	REV. 8/14
CHECKED BY : TMG II/II	MAA/TMG

DOCUMENT NOT CONSIDERED
FINAL UNLESS ALL
SIGNATURES COMPLETED

REVISIONS						SHEET NO.
NO.	BY:	DATE:	NO.	BY:	DATE:	S-8
1			3			TOTAL SHEETS
2			4			19