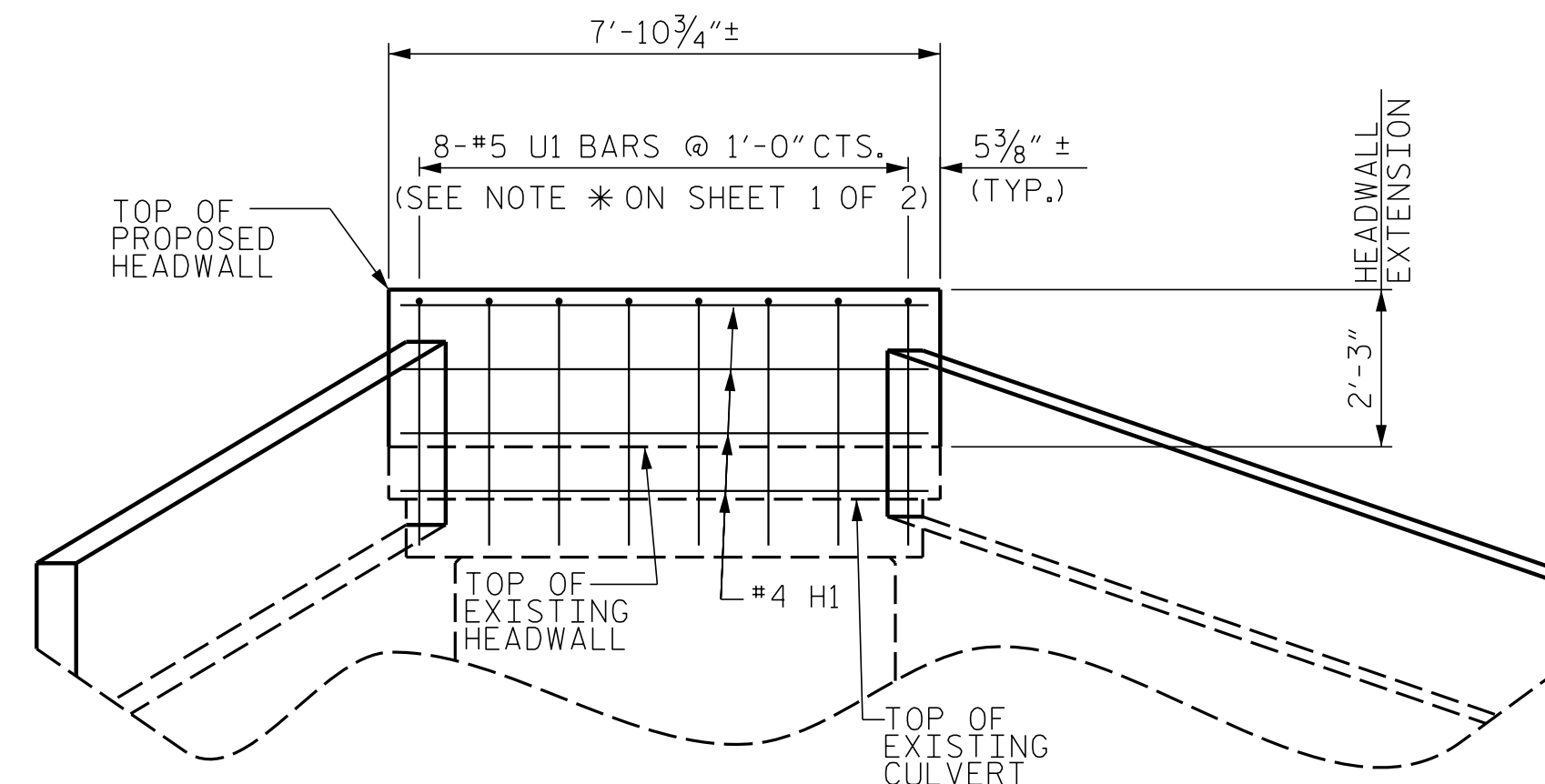


**PARTIAL CULVERT SECTION NORMAL TO ROADWAY**

REINFORCEMENT FOR WING EXTENSION NOT SHOWN FOR CLARITY



**HEADWALL ELEVATION NORMAL TO SKEW**

REINFORCEMENT FOR WING EXTENSION NOT SHOWN FOR CLARITY

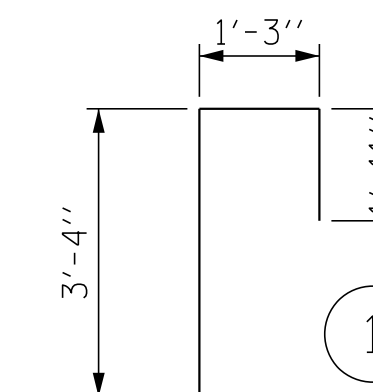
**BILL OF MATERIAL**

BAR NO.	NO.	SIZE	TYPE	LENGTH	WEIGHT
H1	7	#4	STR.	7'-6"	35
H2	3	#4	STR.	8'-5"	17
H3	3	#4	STR.	11'-7"	23
H4	6	#4	STR.	9"	3
U1	8	#5		6'-6"	54
V1	31	#4	STR.	3'-1"	64

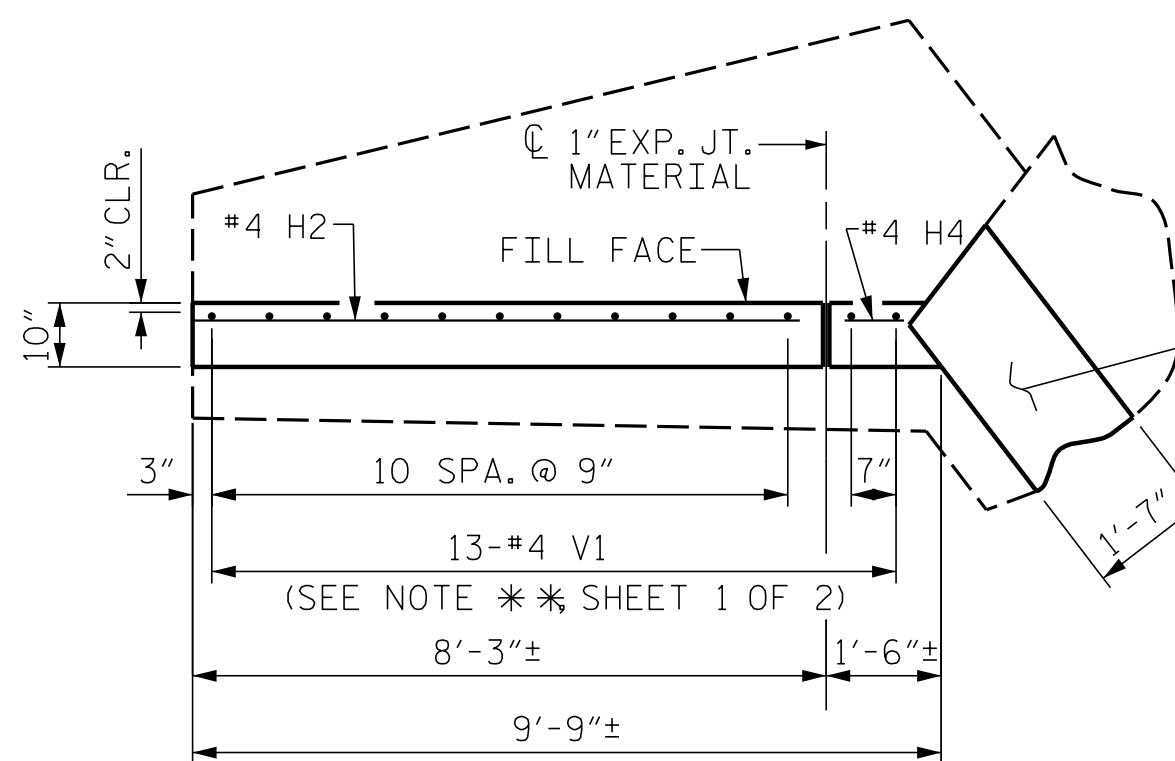
REINFORCING STEEL 196 LBS.

CLASS A CONCRETE  
 2 WINGS 1.7 CY  
 1 HEADWALL 1.1 CY  
**TOTAL 2.8 CY**

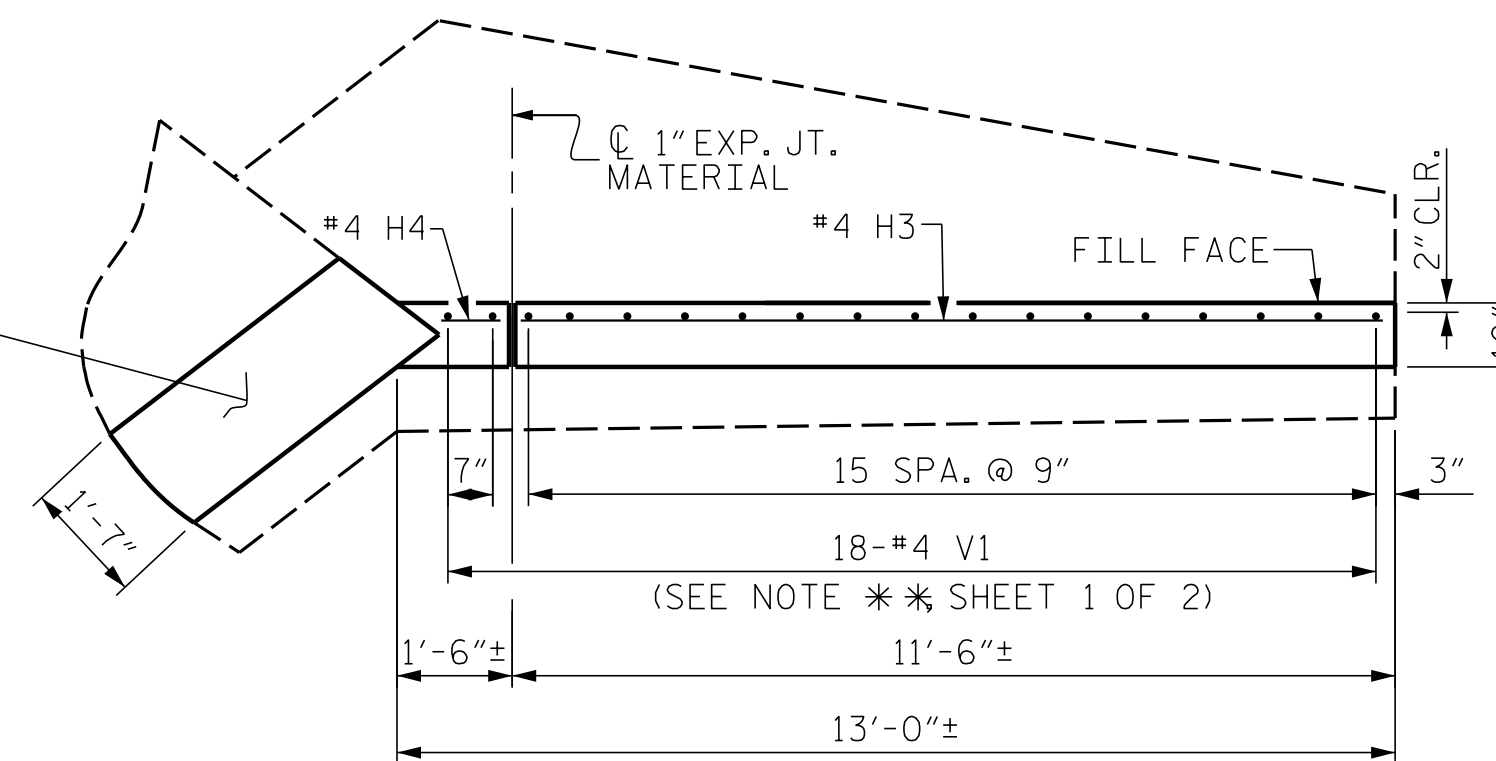
**BAR TYPES**



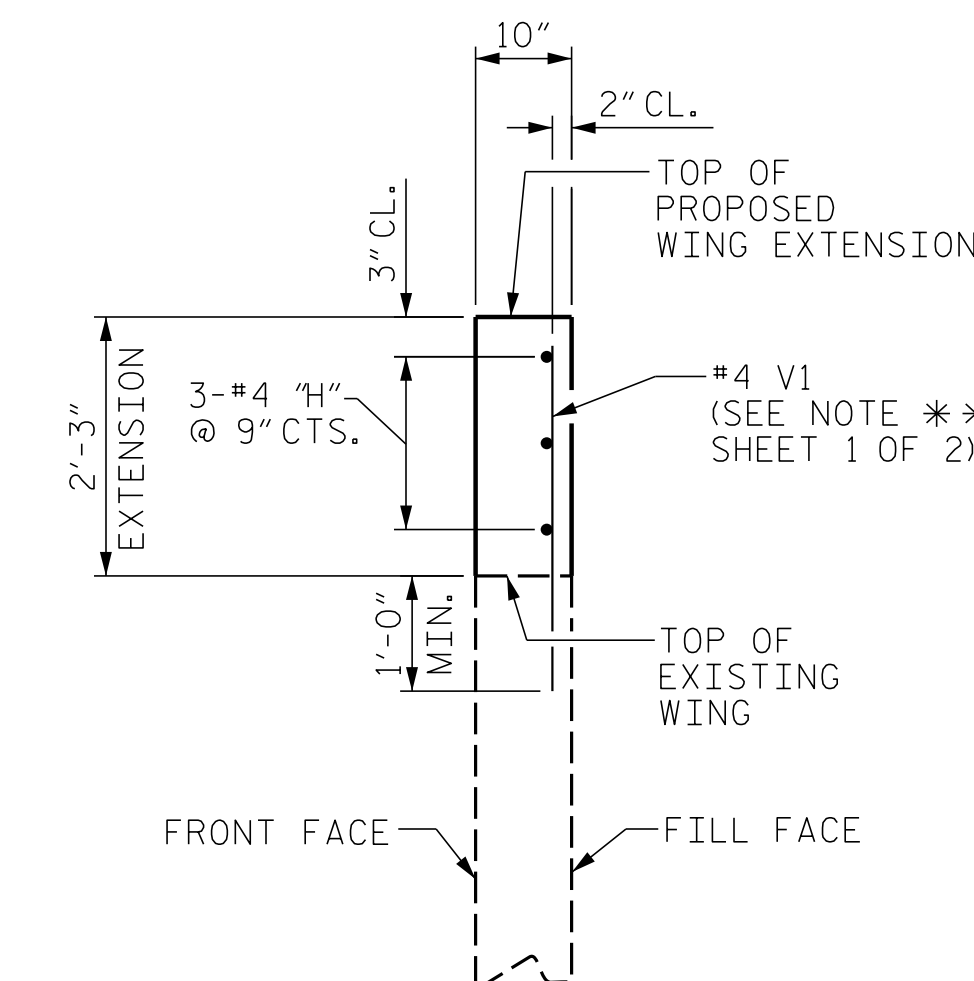
ALL BAR DIMENSIONS ARE OUT TO OUT.



**PLAN W1**

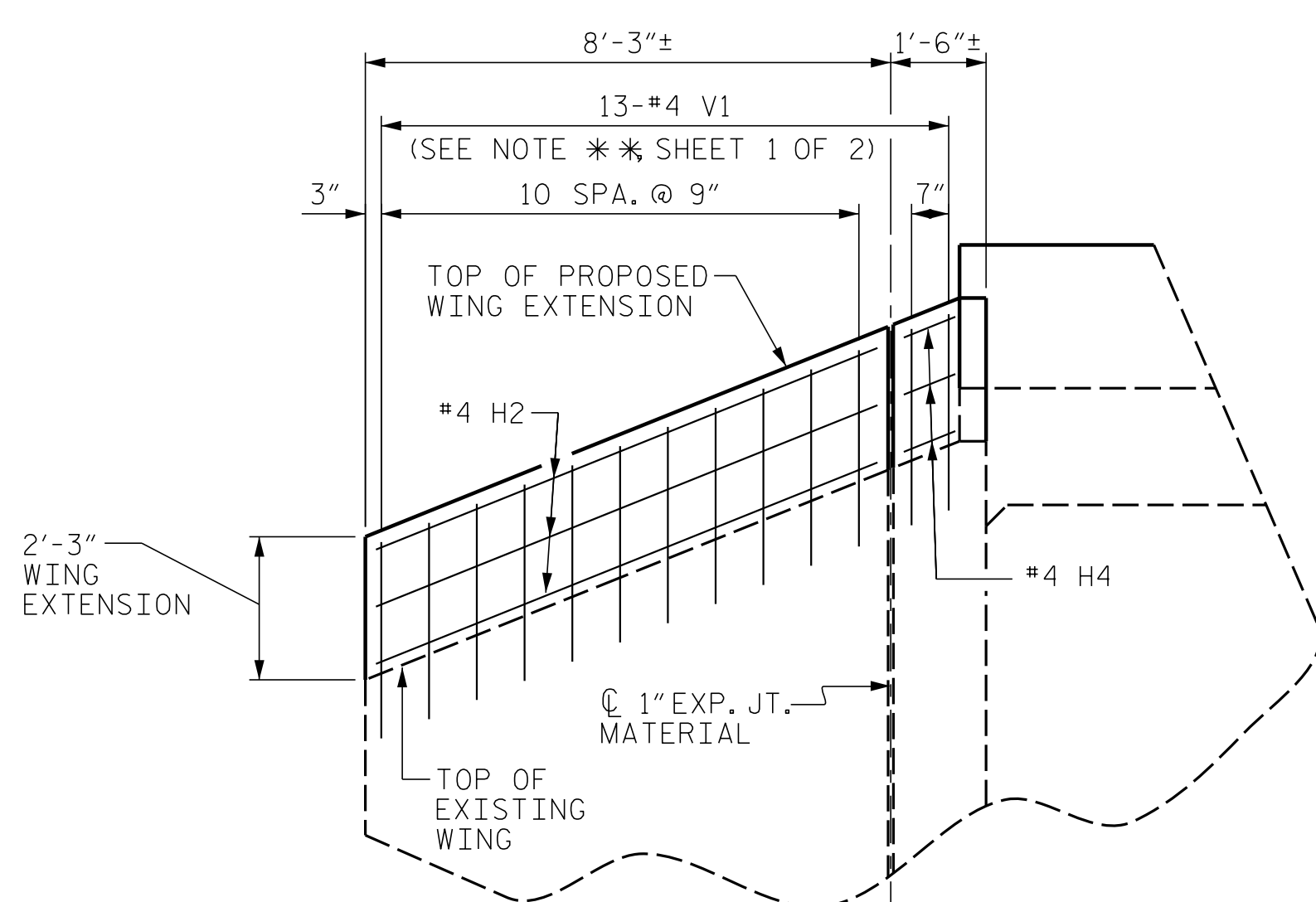


**PLAN W2**

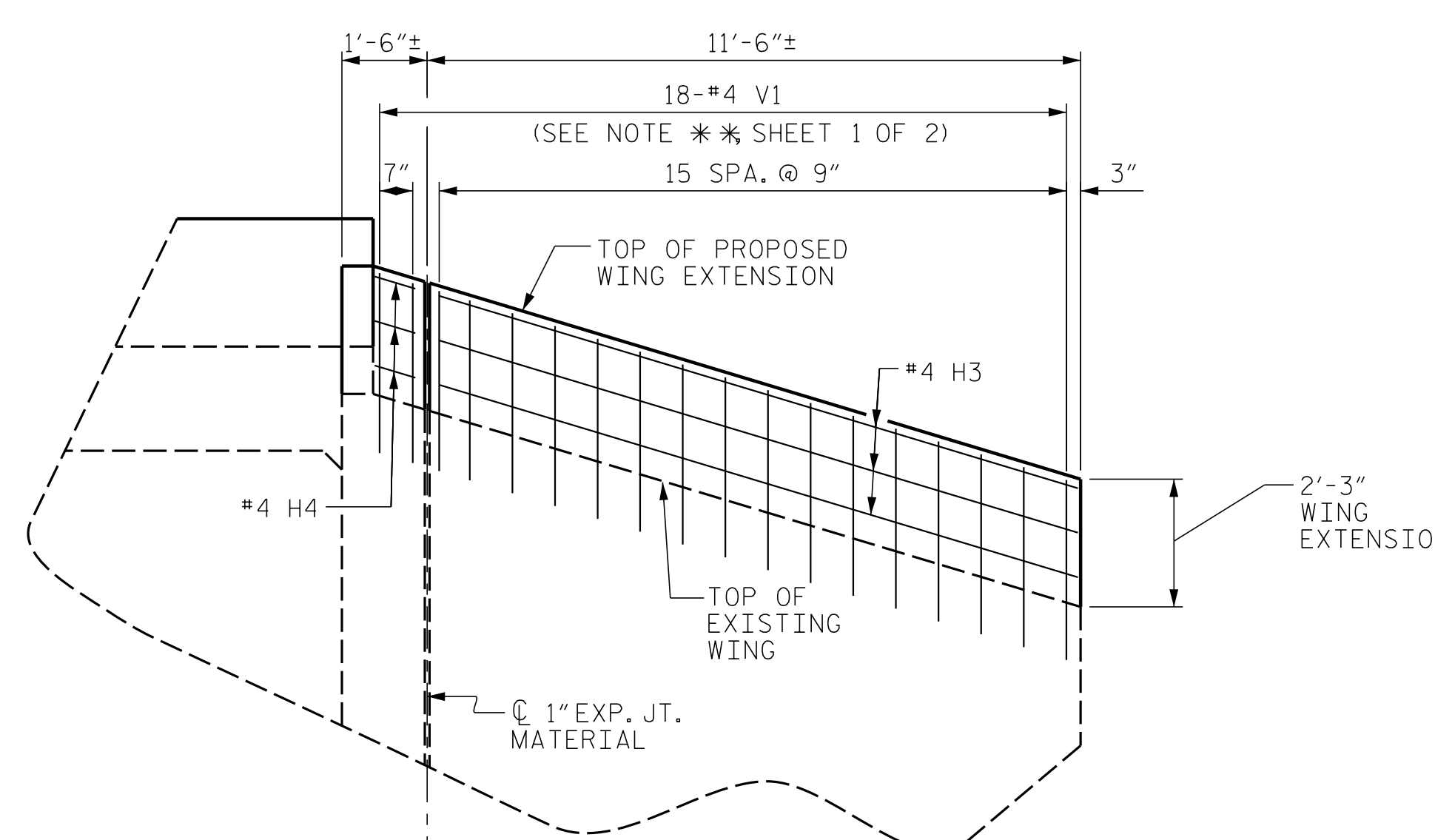


**WING EXTENSION SECTION**

(TYP. EACH WING)



**ELEVATION W1**



**ELEVATION W2**

PROJECT NO. I-5786

JOHNSTON COUNTY

STATION: 39+20.65 -L-

SHEET 2 OF 2

ENGINEER OF RECORD:  
 Designated by:  
  
 1223 Jones Franklin Rd.  
 Raleigh, N.C. 27606  
 Bus: 919 851 8077  
 Fax: 919 851 8107  
 LICENSE NO. F-0377

STATE OF NORTH CAROLINA  
 DEPARTMENT OF TRANSPORTATION  
 RALEIGH  
**HEADWALL AND WING EXTENSION ON EXISTING SINGLE 6'X7' CONCRETE BOX CULVERT**

**REVISIONS**

NO.	BY:	DATE:	NO.	BY:	DATE:
1			3		
2			4		

SHEET NO. C01-2  
 TOTAL SHEETS 2

DRAWN BY: G.WILSON DATE: 4/2017  
 CHECKED BY: G.M.GILLAND DATE: 5/2017

DOCUMENT NOT CONSIDERED FINAL  
 UNLESS ALL SIGNATURES COMPLETED

P:\2017\I-5786\Structures\Culverts\DWG\39+20.64 Rt.Culvert\I-5786\_FCBC\_EXT\_W1.dgn  
 6/5/2017 9:45:32 AM