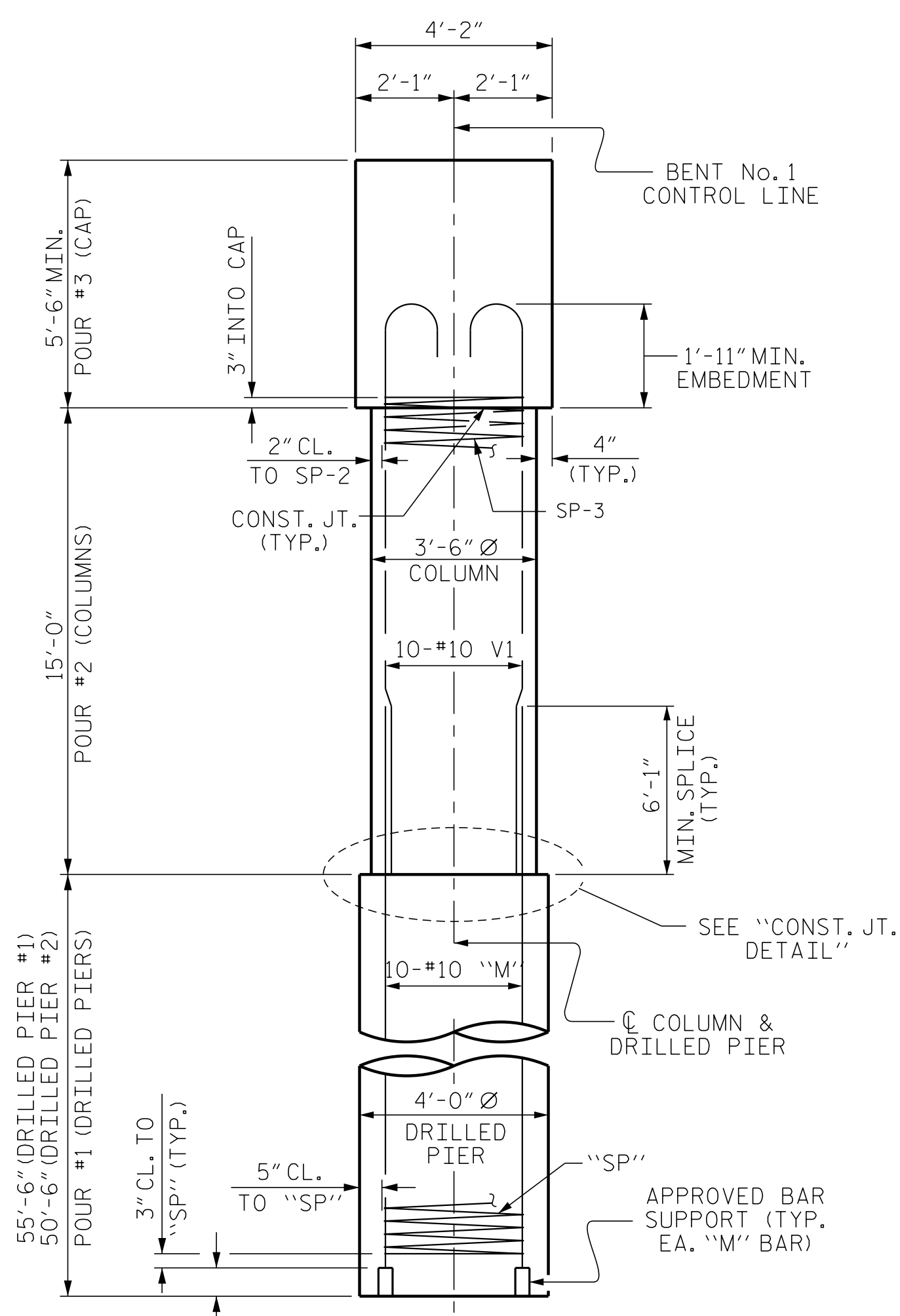
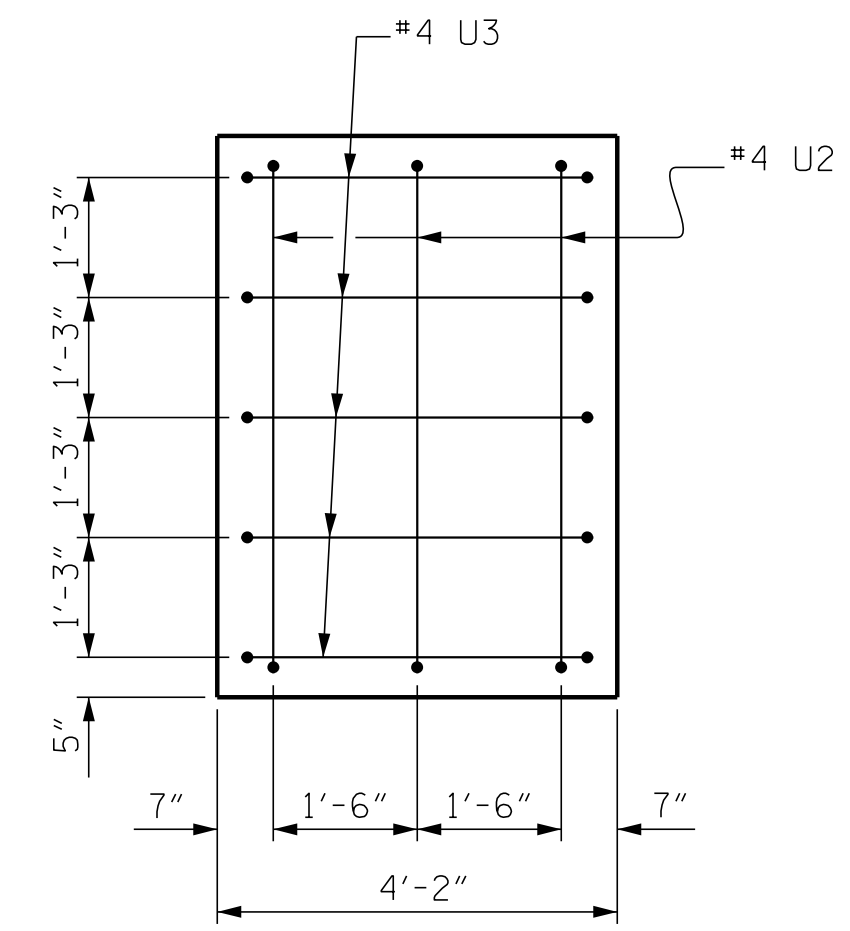


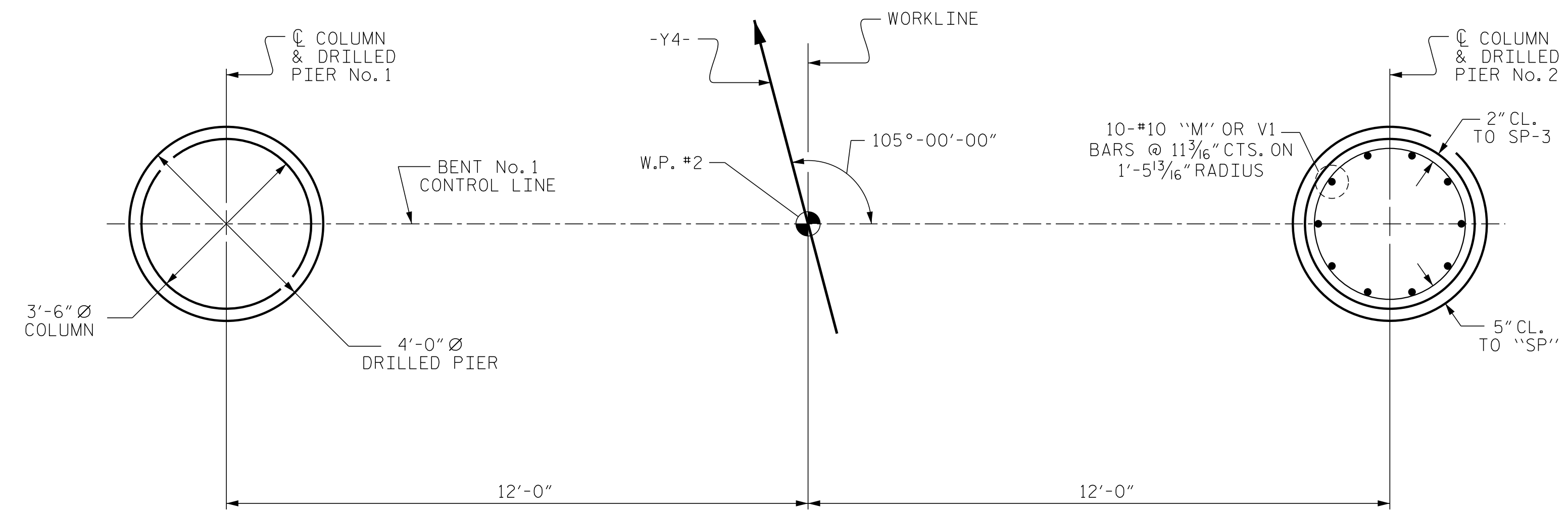
CONSTRUCTION JOINT DETAIL



END ELEVATION



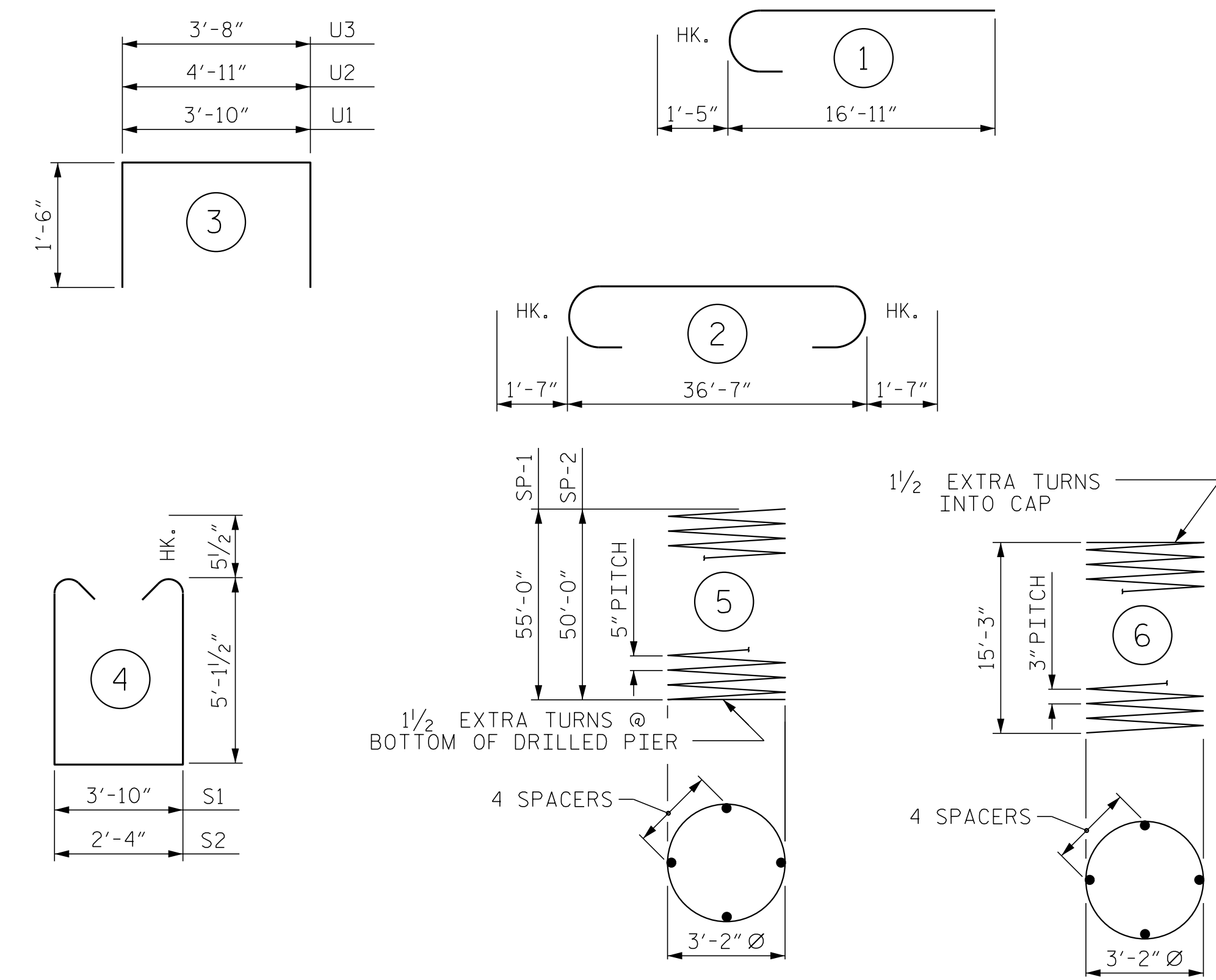
END OF CAP VIEW



PLAN OF DRILLED PIERS AND COLUMNS

(REINFORCING STEEL AND DIMENSIONS ARE TYPICAL FOR EACH COLUMN & DRILLED PIER UNLESS OTHERWISE NOTED)

BAR TYPES



ALL BAR DIMENSIONS ARE OUT TO OUT

BILL OF MATERIAL

BENT No. 1

BAR NO.	NO.	SIZE	TYPE	LENGTH	WEIGHT
B1	8	#11	STR	36'-8"	1558
B2	8	#11	2	39'-9"	1690
B3	10	#5	STR	36'-8"	382
M1	20	#10	STR	35'-1"	3019
M2	10	#10	STR	59'-1"	2542
S1	14	#5	4	15'-0"	219
S2	120	#5	4	13'-6"	1690
U1	24	#4	3	6'-10"	110
U2	6	#4	3	7'-11"	32
U3	10	#4	3	6'-8"	45
V1	20	#10	1	18'-4"	1578

REINFORCING STEEL 12,865 LBS.

SP	NO.	SIZE	TYPE	LENGTH	WEIGHT
SP-1	1	*	5	1307'-6"	1364
SP-2	1	*	5	1190'-0"	1241
SP-3	2	**	6	613'-10"	820

SPIRAL COLUMN REINFORCING STEEL 3,425 LBS.

* THE SP-1 & SP-2 SPIRAL REINFORCING STEEL SHALL BE W31 OR D-31 COLD DRAWN WIRE OR #5 PLAIN OR DEFORMED BAR
 ** THE SP-3 SPIRAL REINFORCING STEEL SHALL BE W20 OR D-20 COLD DRAWN WIRE OR #4 PLAIN OR DEFORMED BAR

CLASS A CONCRETE BREAKDOWN

POUR #2 (COLUMNS)	10.7 C.Y.
POUR #3 (CAP)	32.0 C.Y.

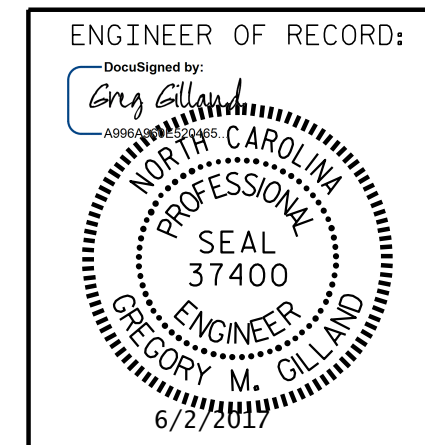
TOTAL CLASS A CONCRETE 42.7 C.Y.

DRILLED PIERS:

DRILLED PIER CONCRETE	
POUR #1 (DRILLED PIERS)	49.3 C.Y.
4'-0" Ø DRILLED PIER IN SOIL	106.00 LIN. FT.
CSL TUBES	436 LIN. FT.
CSL TESTING	1 EA.
SID INSPECTIONS	1 EA.
SPT TESTING	2 EA.

PROJECT NO. I-5786
 JOHNSTON COUNTY
 STATION: 20+25.64 -Y4-

SHEET 2 OF 2



1223 Jones Franklin Rd.
 Raleigh, N.C. 27606
 Bus: 919 851 8077
 Fax: 919 851 8107
 LICENSE NO. F-0377

STATE OF NORTH CAROLINA
 DEPARTMENT OF TRANSPORTATION
 RALEIGH

SUBSTRUCTURE
 BENT No. 1

REVISIONS

NO.	BY:	DATE:	NO.	BY:	DATE:
1			3		
2			4		

SHEET NO.
 S02-24
 TOTAL SHEETS
 31

DRAWN BY: D. HODGE DATE: 5/17
 CHECKED BY: B.C. HUNT DATE: 5/17

DOCUMENT NOT CONSIDERED FINAL
 UNLESS ALL SIGNATURES COMPLETED

P:\2017\I-5786\Structures\DM\Bizzell\Grove_Y4\I-5786_Y4_BT_WE_I.dgn
 6/11/2017 2:38:37 PM