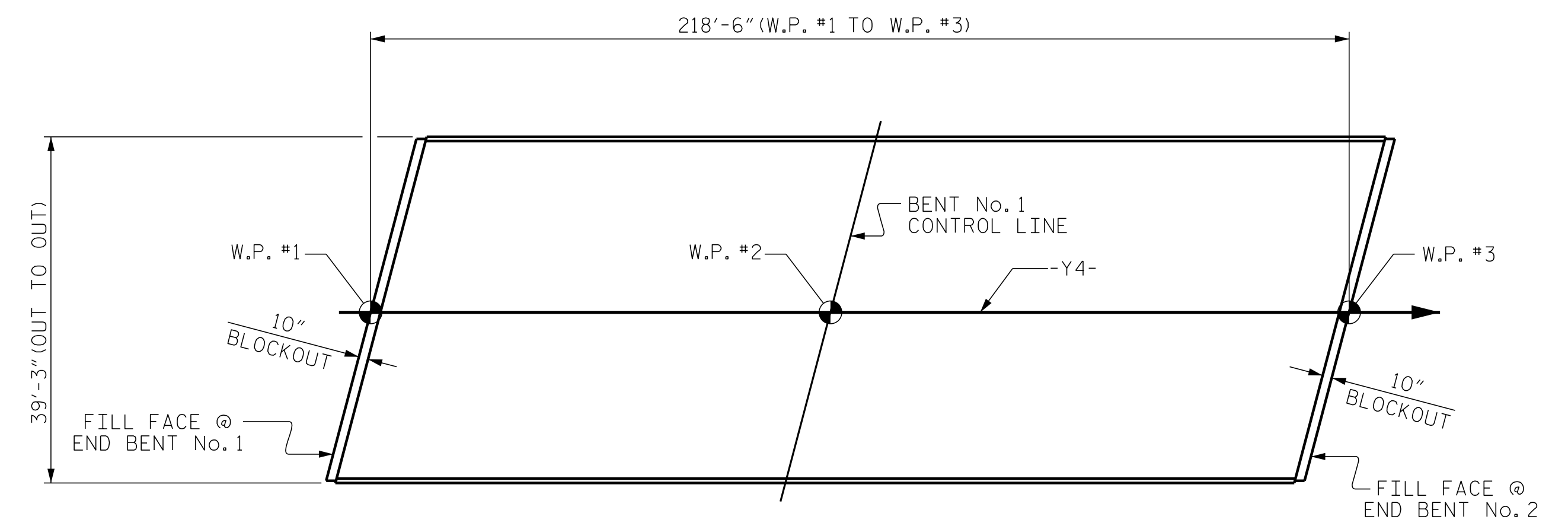
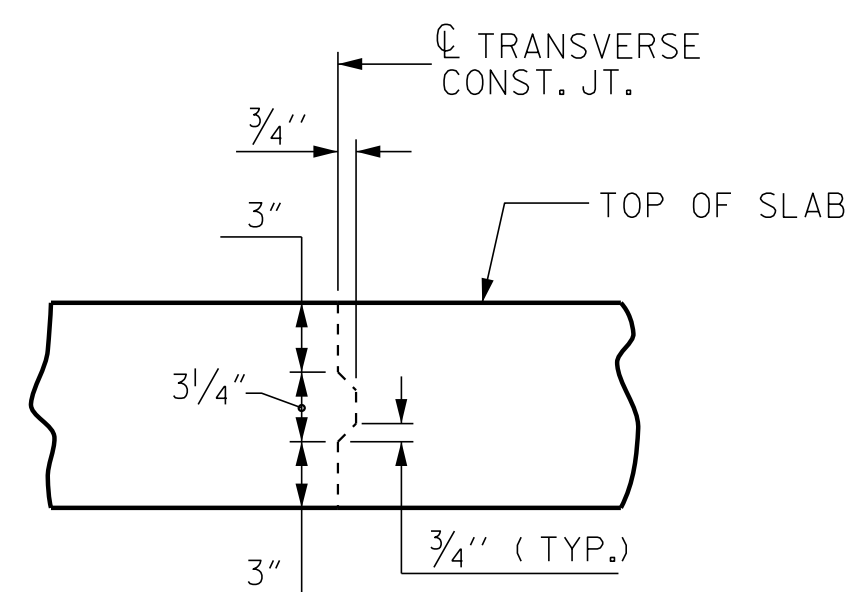


POURING SEQUENCE



LAYOUT FOR COMPUTING AREA REINFORCED CONCRETE DECK SLAB (SQ. FT. = 8,576)

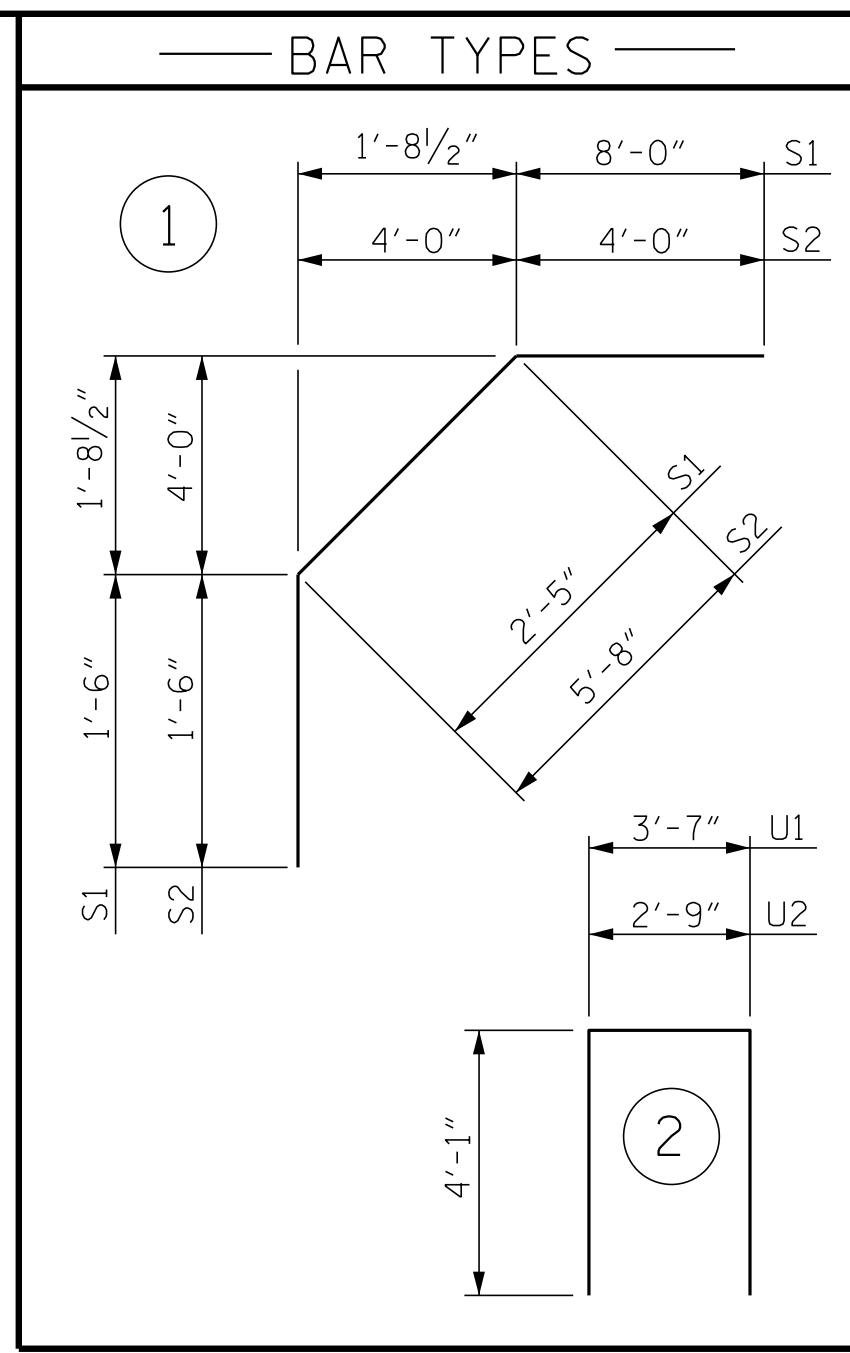


TRANSVERSE CONSTRUCTION JOINT DETAIL

NOTE: REINFORCING STEEL IN SLAB NOT SHOWN. LONGITUDINAL REINFORCING STEEL SHALL BE CONTINUOUS THRU JOINT

SUPERSTRUCTURE REINFORCING STEEL LENGTHS ARE BASED ON THE FOLLOWING MINIMUM SPLICE LENGTHS					
BAR SIZE	SUPERSTRUCTURE EXCEPT APPROACH SLABS, PARAPET, AND BARRIER RAIL		APPROACH SLABS		PARAPET AND BARRIER RAIL
	EPOXY COATED	UNCOATED	EPOXY COATED	UNCOATED	
#4	2'-0"	1'-9"	2'-0"	1'-9"	2'-9"
#5	2'-6"	2'-2"	2'-6"	2'-2"	3'-5"
#6	3'-0"	2'-7"	3'-10"	2'-7"	4'-4"
#7	5'-3"	3'-6"			
#8	6'-10"	4'-7"			

GROOVING BRIDGE FLOORS	
APPROACH SLABS	957 SQ.FT.
BRIDGE DECK	7,154 SQ.FT.
TOTAL	8,111 SQ.FT.



ALL BAR DIMENSIONS ARE OUT TO OUT

BILL OF MATERIAL											
BAR	NO.	SIZE	TYPE	LENGTH	WEIGHT	BAR	NO.	SIZE	TYPE	LENGTH	WEIGHT
* A1	450	#5	STR	38'-11"	18266	A201	2	#5	STR	37'-7"	78
A2	450	#5	STR	38'-11"	18266	A202	2	#5	STR	35'-10"	75
						A203	2	#5	STR	34'-1"	71
* A101	2	#5	STR	37'-7"	78	A204	2	#5	STR	32'-5"	68
* A102	2	#5	STR	35'-10"	75	A205	2	#5	STR	30'-8"	64
* A103	2	#5	STR	34'-1"	71	A206	2	#5	STR	29'-0"	60
* A104	2	#5	STR	32'-5"	68	A207	2	#5	STR	27'-3"	57
* A105	2	#5	STR	30'-8"	64	A208	2	#5	STR	25'-7"	53
* A106	2	#5	STR	29'-0"	60	A209	2	#5	STR	23'-10"	50
* A107	2	#5	STR	27'-3"	57	A210	2	#5	STR	22'-2"	46
* A108	2	#5	STR	25'-7"	53	A211	2	#5	STR	20'-5"	43
* A109	2	#5	STR	23'-10"	50	A212	2	#5	STR	18'-9"	39
* A110	2	#5	STR	22'-2"	46	A213	2	#5	STR	17'-0"	35
* A111	2	#5	STR	20'-5"	43	A214	2	#5	STR	15'-4"	32
* A112	2	#5	STR	18'-9"	39	A215	2	#5	STR	13'-7"	28
* A113	2	#5	STR	17'-0"	35	A216	2	#5	STR	11'-11"	25
* A114	2	#5	STR	15'-4"	32	A217	2	#5	STR	10'-2"	21
* A115	2	#5	STR	13'-7"	28	A218	2	#5	STR	8'-6"	18
* A116	2	#5	STR	11'-11"	25	A219	2	#5	STR	6'-9"	14
* A117	2	#5	STR	10'-2"	21	A220	2	#5	STR	5'-1"	11
* A118	2	#5	STR	8'-6"	18	A221	2	#5	STR	3'-4"	7
* A119	2	#5	STR	6'-9"	14						
* A120	2	#5	STR	5'-1"	11	* B1	152	#6	STR	21'-6"	4909
* A121	2	#5	STR	3'-4"	7	* B2	104	#4	STR	28'-1"	1951
						* B3	152	#6	STR	38'-2"	8714
						* B4	16	#4	STR	28'-10"	308
						B5	200	#5	STR	55'-9"	11629
						K1	40	#4	STR	21'-1"	563
						* S1	68	#4	1	11'-11"	541
						* S2	68	#4	1	11'-2"	507
						U1	68	#4	2	11'-9"	534
						U2	4	#4	2	10'-11"	29
				REINFORCING STEEL				LBS.		31,916	
				* EPOXY COATED REINFORCING STEEL				LBS.		36,091	

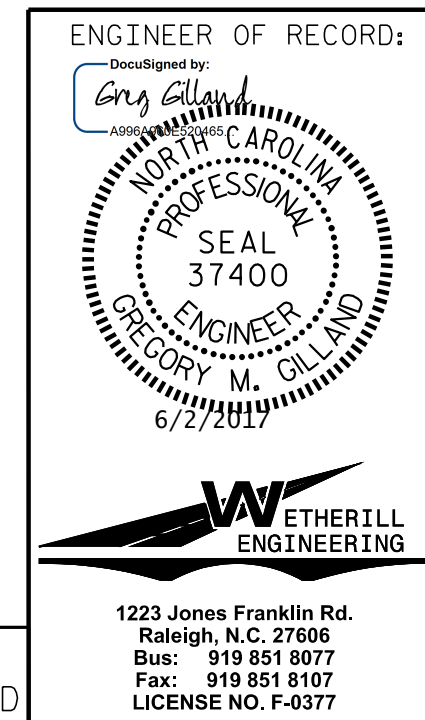
\* THESE BARS ARE EPOXY COATED.

SUPERSTRUCTURE BILL OF MATERIAL			
	CLASS AA CONCRETE	REINFORCING STEEL	* EPOXY COATED REINFORCING STEEL
	( CU. YDS. )	( LBS. )	( LBS. )
TOTALS**	334.0	31,916	36,091

\*\*QUANTITIES FOR BARRIER RAIL ARE NOT INCLUDED

CONCRETE BREAKDOWN	
	CLASS AA CONCRETE
	( CU. YDS. )
POUR #1	73.1
POUR #2	194.6
POUR #3	66.3
TOTALS	334.0

PROJECT NO. I-5786  
JOHNSTON COUNTY  
STATION: 20+25.64 -Y4-



STATE OF NORTH CAROLINA  
DEPARTMENT OF TRANSPORTATION  
RALEIGH

SUPERSTRUCTURE  
BILL OF MATERIAL

REVISIONS					
NO.	BY:	DATE:	NO.	BY:	DATE:
1			3		
2			4		

SHEET NO. S02-19  
TOTAL SHEETS 31

DRAWN BY: D. HODGE DATE: 4/17  
CHECKED BY: B.C. HUNT DATE: 4/17

DOCUMENT NOT CONSIDERED FINAL UNLESS ALL SIGNATURES COMPLETED

1223 Jones Franklin Rd.  
Raleigh, N.C. 27606  
Bus: 919 851 8077  
Fax: 919 851 8107  
LICENSE NO. F-0377

P:\2017\I-5786\Structures\DM\Bizzell\Grove\_Y4\_I-5786\_Y4\_BM\_WE\_I.dgn 6/11/2017 1:57:53 PM