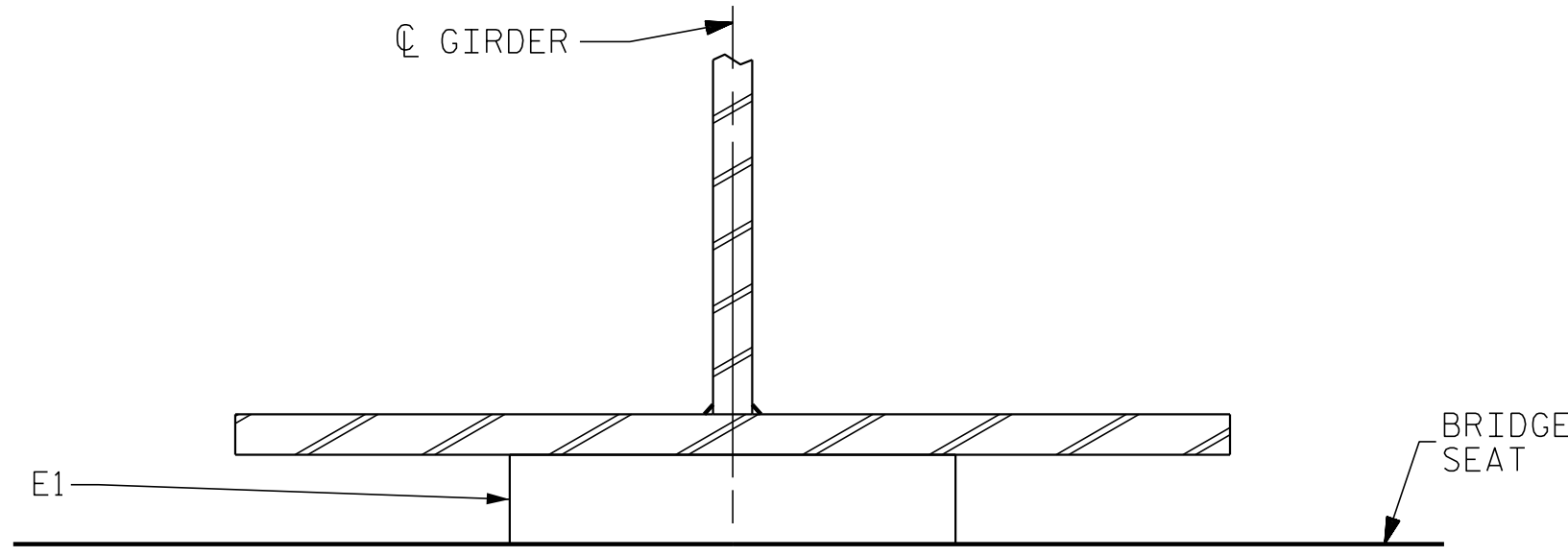


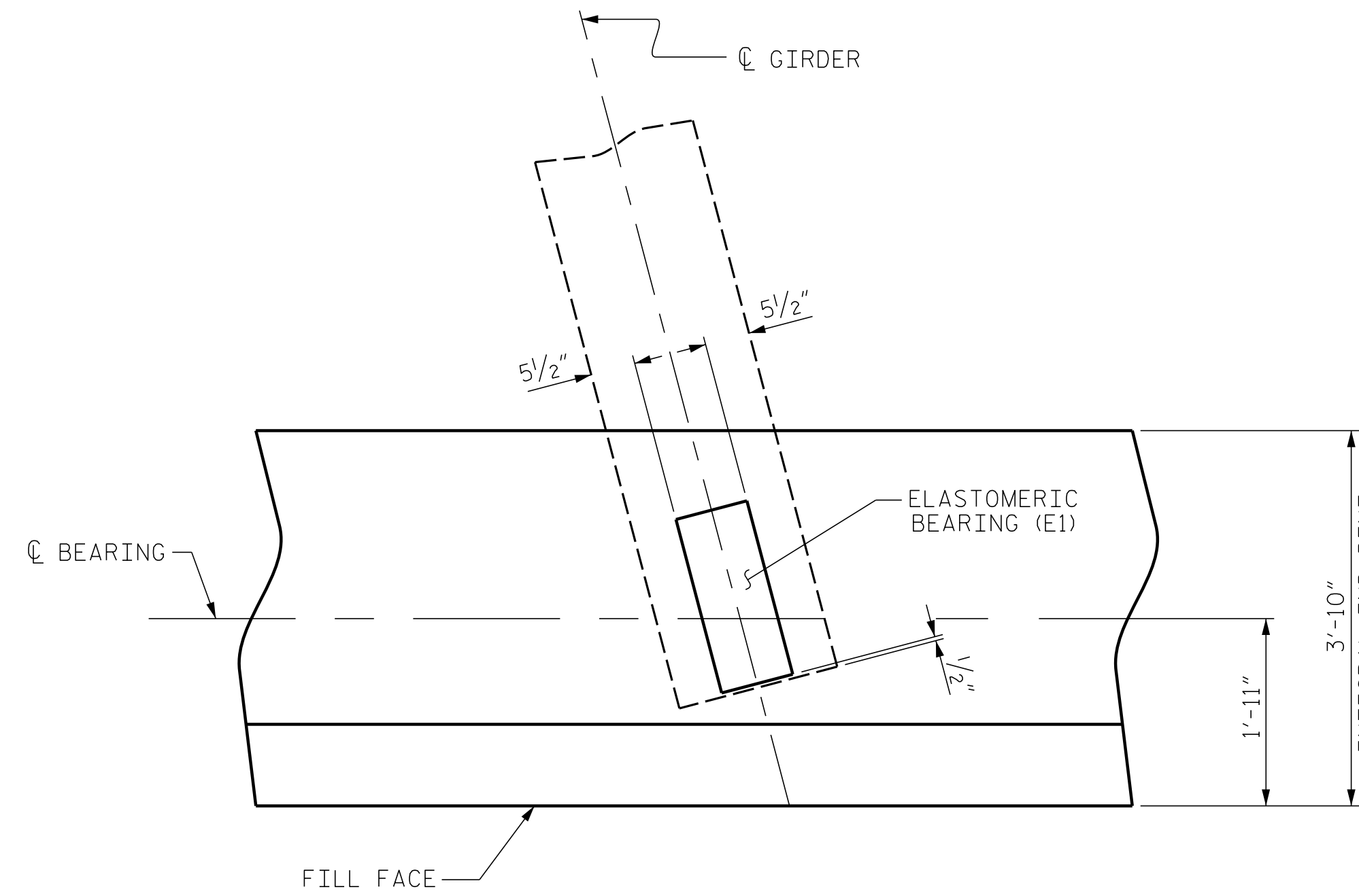
NOTES

THE ELASTOMER IN THE STEEL REINFORCED BEARINGS SHALL HAVE A SHEAR MODULUS OF 0.160 KSI, IN ACCORDANCE WITH AASHTO M251.

FOR STEEL REINFORCED ELASTOMERIC BEARINGS, SEE SPECIAL PROVISIONS.

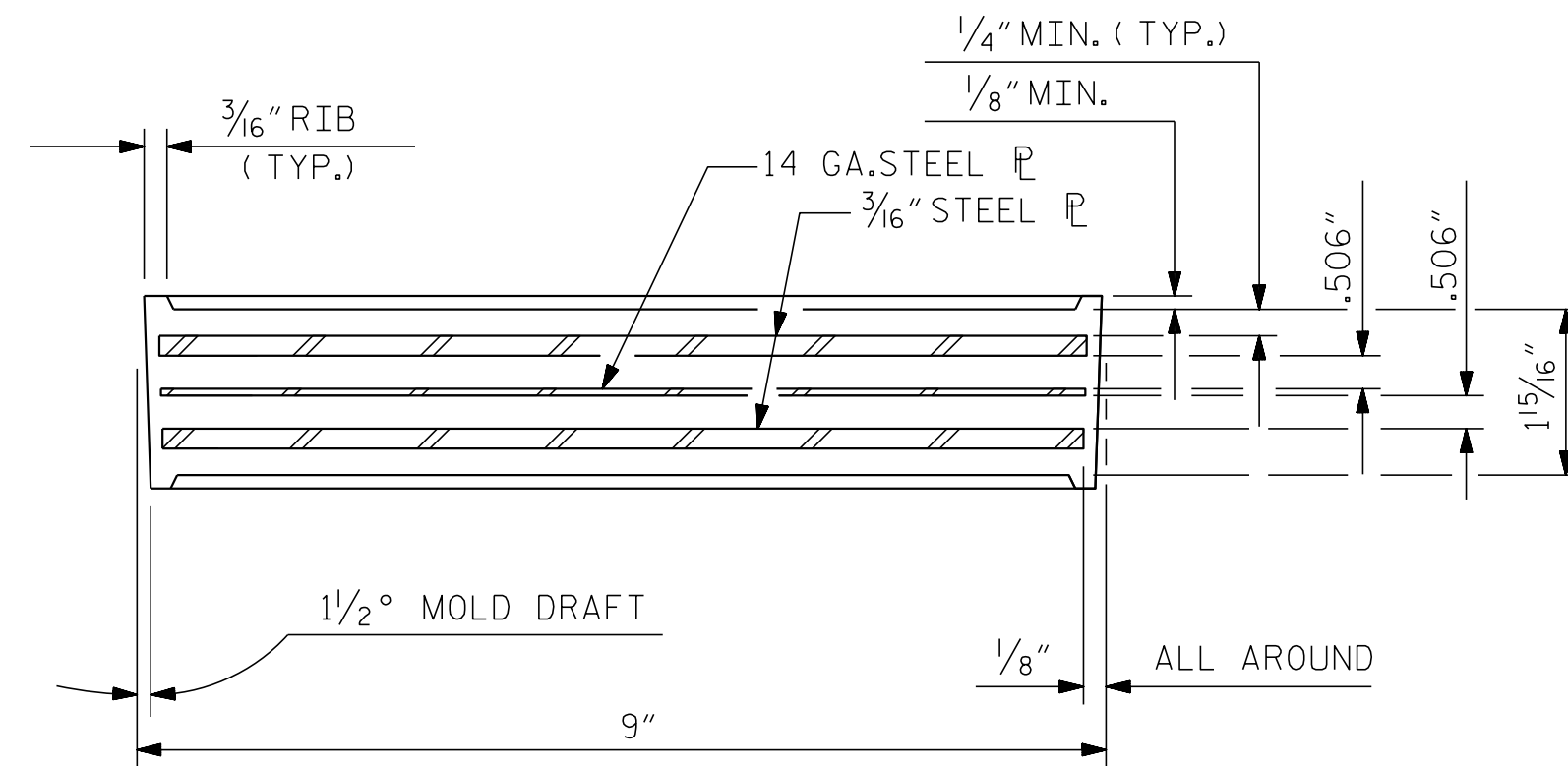


FIXED
END VIEW

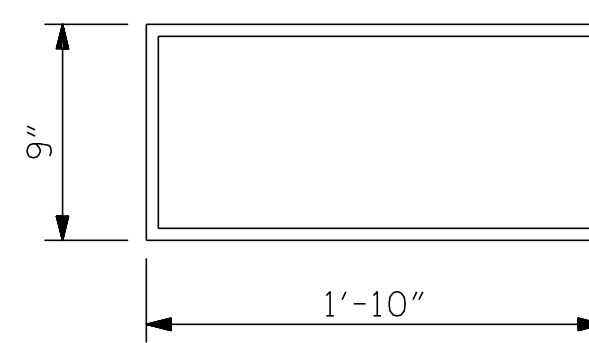


PLAN VIEW AT END BENTS

(SHOWING INTEGRAL END BENT)



TYPICAL SECTION OF ELASTOMERIC BEARINGS



E1 (8 REQ'D)
PLAN VIEW OF ELASTOMERIC BEARING
TYPE IV

MAXIMUM ALLOWABLE SERVICE LOADS	
D.L.+L.L. (NO IMPACT)	
TYPE IV	225 k

PROJECT NO. I-5786
JOHNSTON COUNTY
STATION: 20+25.64 -Y4-

ENGINEER OF RECORD:

 GREGORY M. OLLAND
 6/2/2017
 WETHERILL ENGINEERING
 1223 Jones Franklin Rd.
 Raleigh, N.C. 27606
 Bus: 919 851 8077
 Fax: 919 851 8107
 LICENSE NO. F-0377

STATE OF NORTH CAROLINA
 DEPARTMENT OF TRANSPORTATION
 RALEIGH
 ELASTOMERIC BEARING
 DETAILS

REVISIONS						SHEET NO.
NO.	BY:	DATE:	NO.	BY:	DATE:	S02-15
1			3			TOTAL SHEETS
2			4			31

DOCUMENT NOT CONSIDERED FINAL
UNLESS ALL SIGNATURES COMPLETED

P:\2017\I-5786\Structures\DM\Bizzell\Grove_Y4\I-5786_Y4_BRG_WE I.dgn
 6/11/2017 1:59:41 PM

DRAWN BY : D. HODGE DATE : 4/17
 CHECKED BY : B.C. HUNT DATE : 4/17