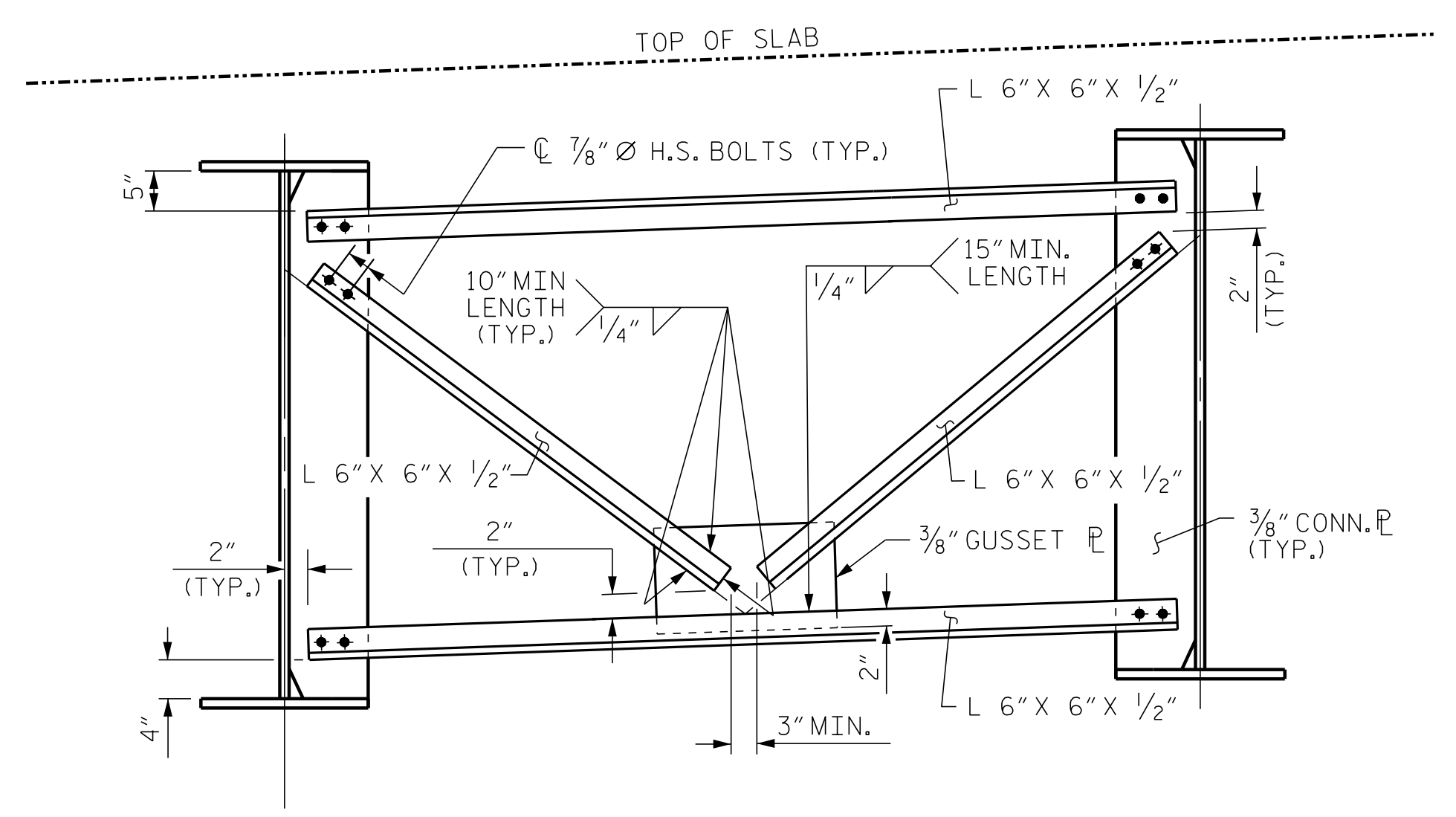
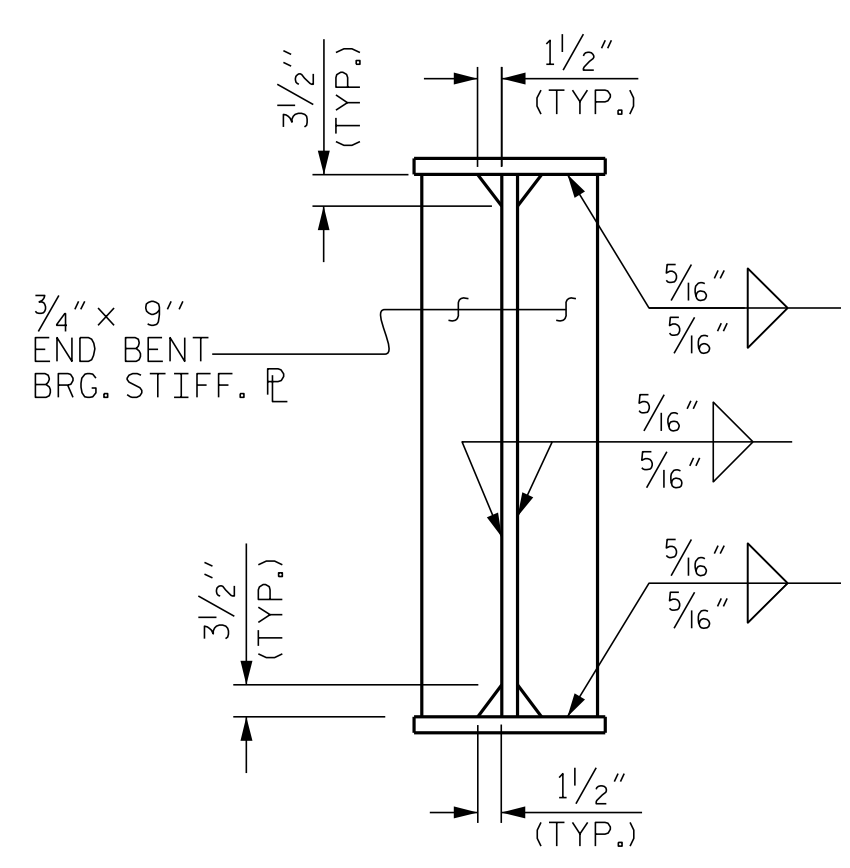


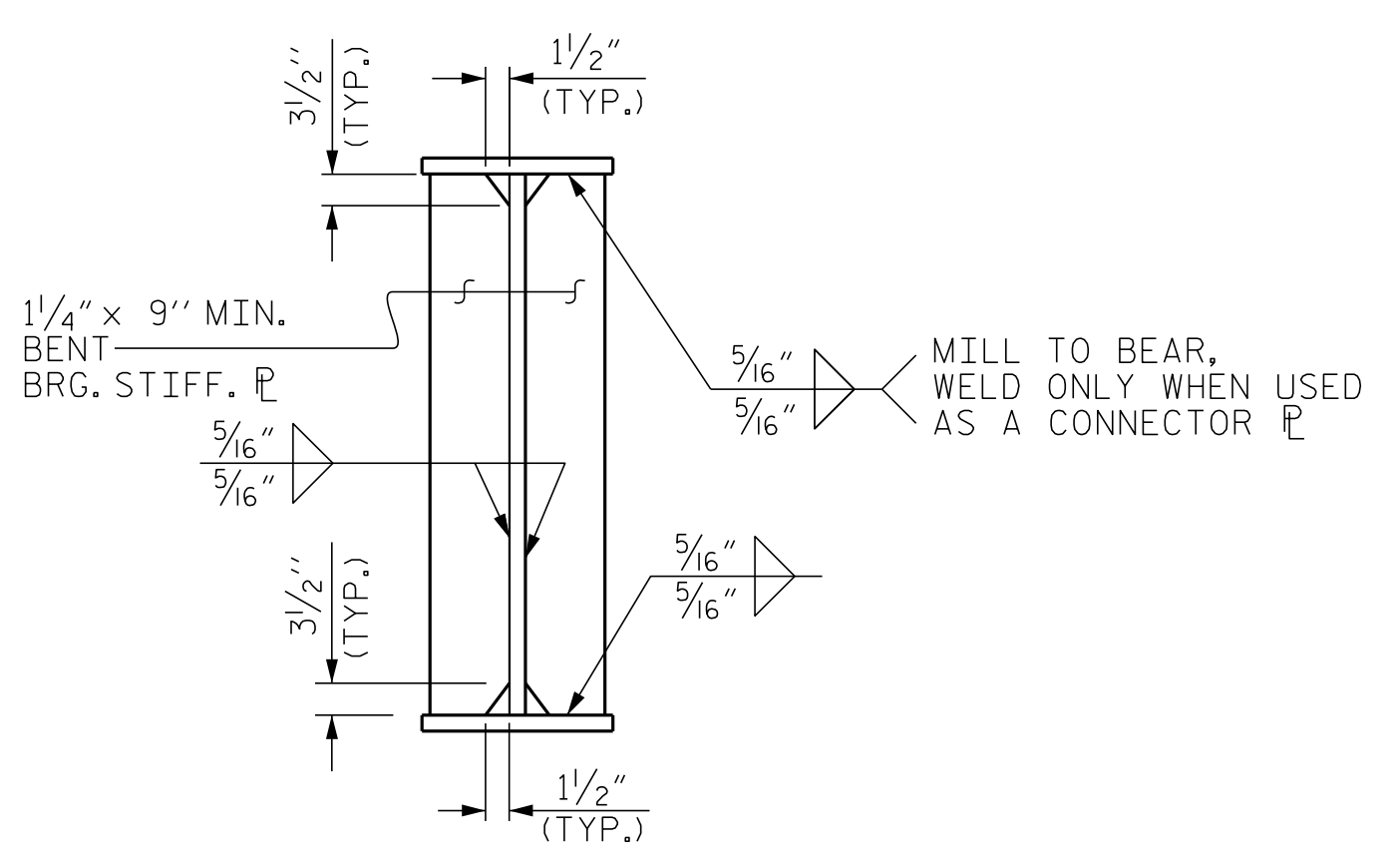
WELD TERMINATION DETAILS



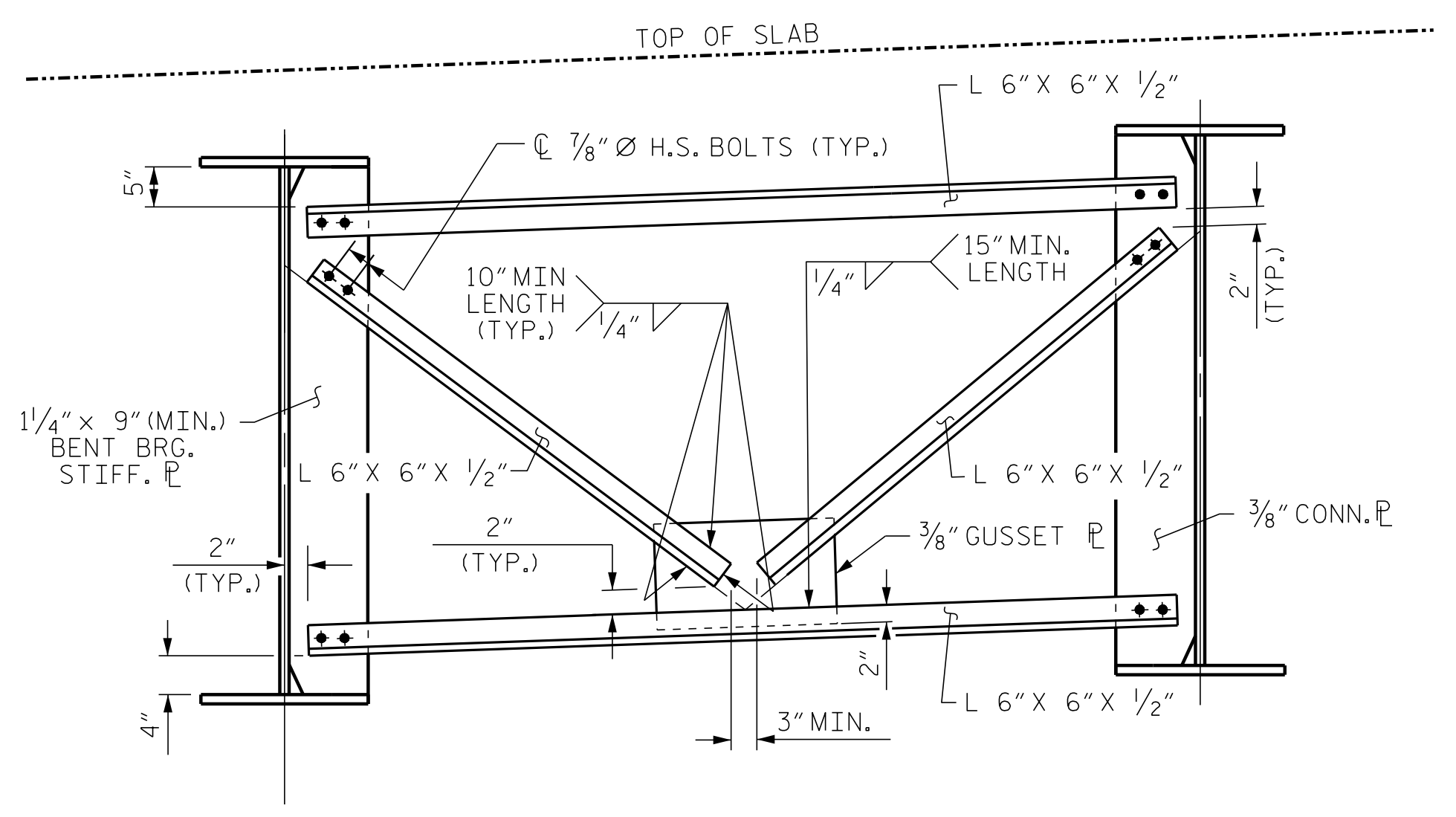
TYPICAL INTERMEDIATE DIAPHRAGM ( D1 )



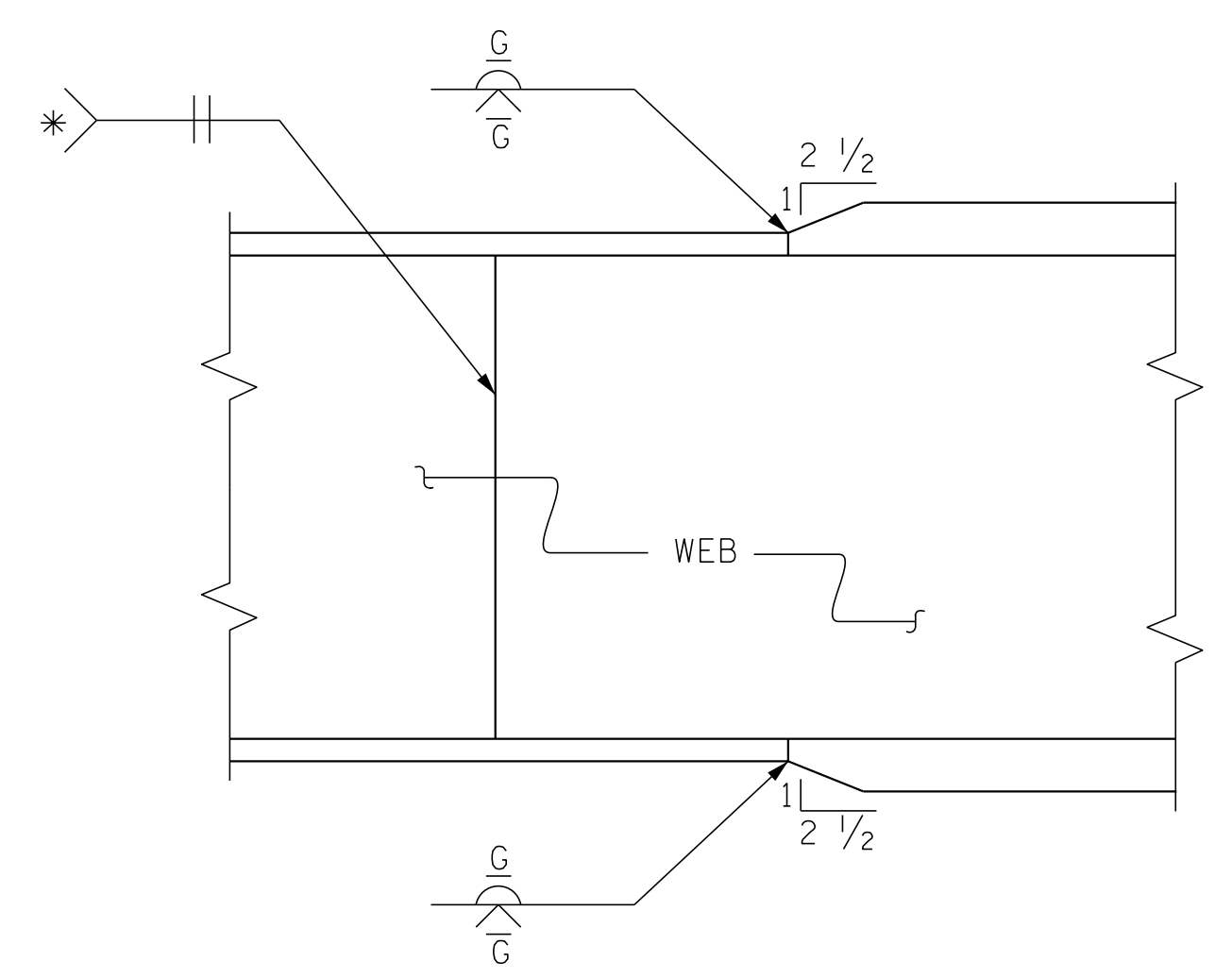
BEARING STIFFENER  
(AT END BENTS)



BEARING STIFFENER  
(AT INTERIOR BENT)

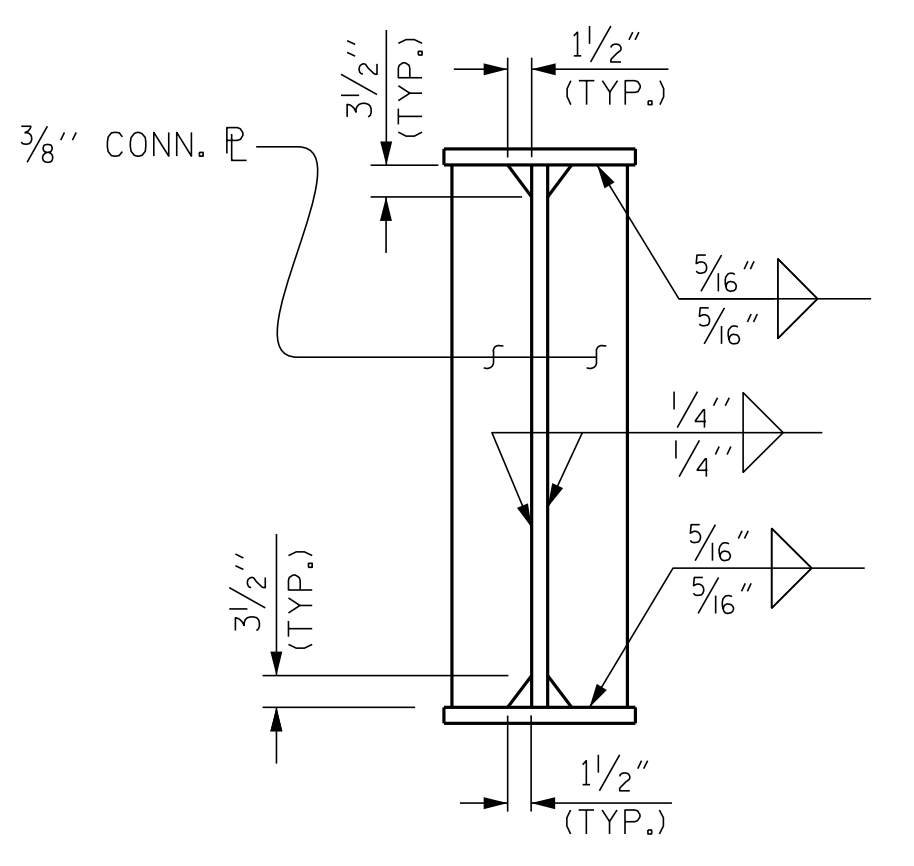


TYPICAL BENT DIAPHRAGM ( D2 )



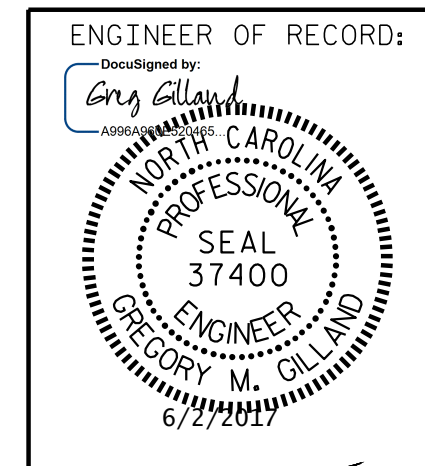
TYPICAL FLANGE AND WEB BUTT JOINT

\* GRIND SMOOTH AND FLUSH ON OUTER FACE OF EXTERIOR GIRDERS



CONNECTOR PLATE  
(AT INTERMEDIATE DIAPHRAGM)

PROJECT NO. I-5786  
JOHNSTON COUNTY  
 STATION: 20+25.64 -Y4-  
 SHEET 2 OF 4



ETHERILL ENGINEERING  
 1223 Jones Franklin Rd.  
 Raleigh, N.C. 27606  
 Bus: 919 851 8077  
 Fax: 919 851 8107  
 LICENSE NO. F-0377

STATE OF NORTH CAROLINA  
 DEPARTMENT OF TRANSPORTATION  
 RALEIGH  
 SUPERSTRUCTURE  
 STRUCTURAL STEEL  
 DETAILS

| REVISIONS |     |       |     |     |       | SHEET NO.    |
|-----------|-----|-------|-----|-----|-------|--------------|
| NO.       | BY: | DATE: | NO. | BY: | DATE: | S02-11       |
| 1         |     |       | 3   |     |       | TOTAL SHEETS |
| 2         |     |       | 4   |     |       | 31           |

DOCUMENT NOT CONSIDERED FINAL  
 UNLESS ALL SIGNATURES COMPLETED

P:\2017\I-5786\Structures\DGN\Bizzell\Grove\_Y4\_I-5786\_Y4\_SS\_WE\_I.dgn  
 6/11/2017 2:27:31 PM

DRAWN BY: D. HODGE DATE: 4/17  
 CHECKED BY: B.C. HUNT DATE: 4/17