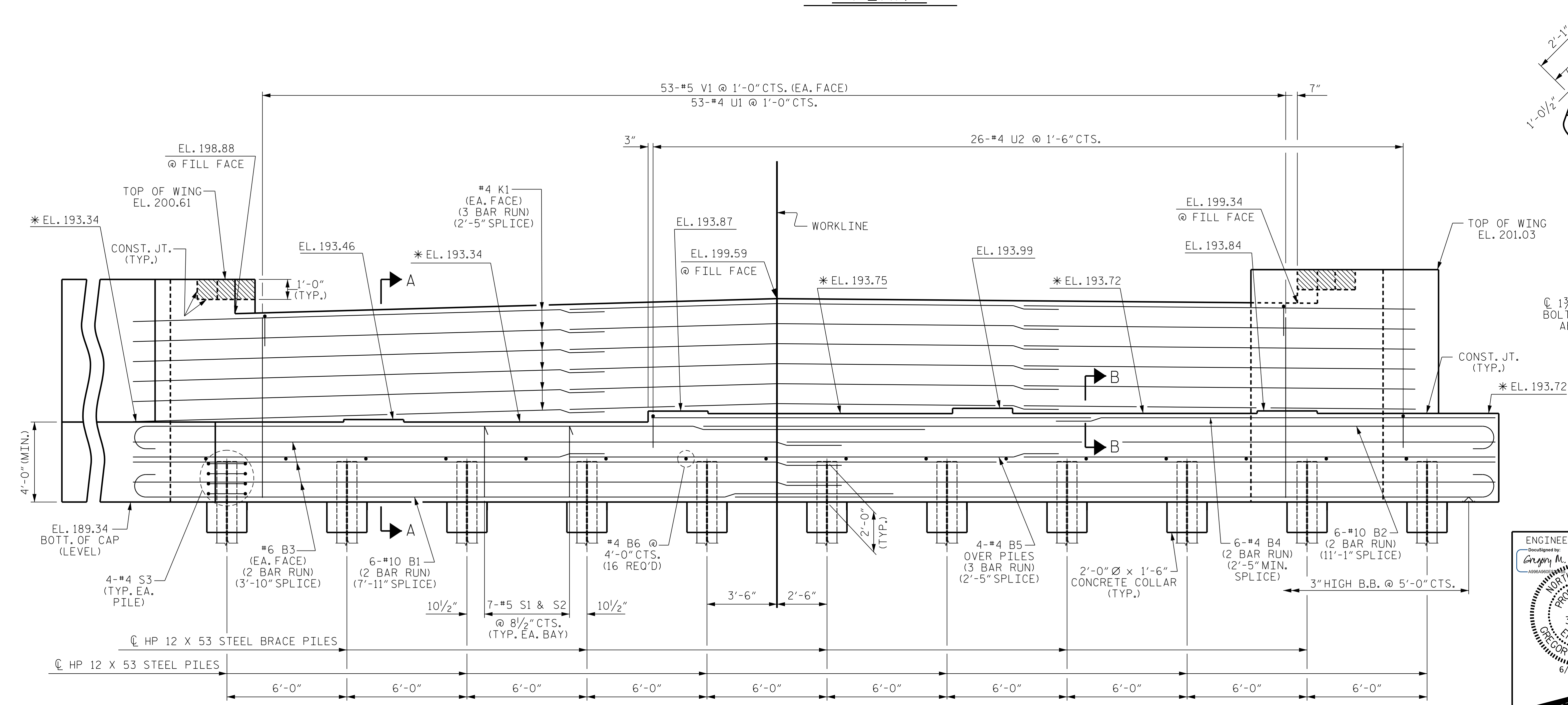
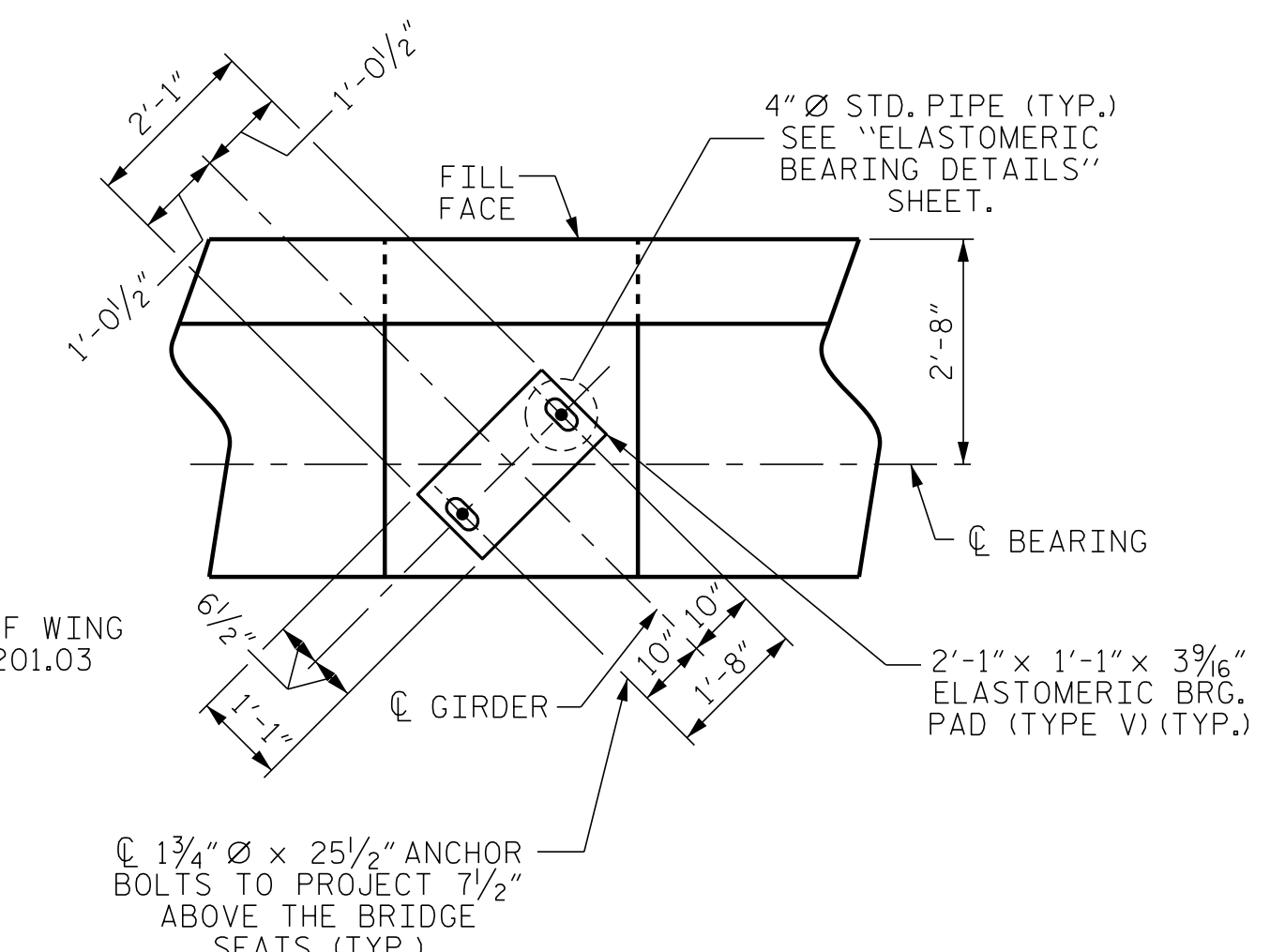


PLAN



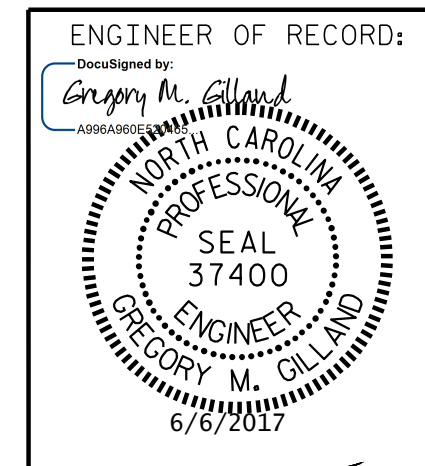
ELEVATION



DETAIL "A"
(TYP. EA. GIRDER)

PROJECT NO. I-5786
 JOHNSTON COUNTY
 STATION: 17+77.11 -Y1-

SHEET 1 OF 3



1223 Jones Franklin Rd.
 Raleigh, N.C. 27606
 Bus: 919 851 8077
 Fax: 919 851 8107
 LICENSE NO. F-0377

STATE OF NORTH CAROLINA DEPARTMENT OF TRANSPORTATION RALEIGH					
SUBSTRUCTURE END BENT No. 2					
REVISIONS					
NO.	BY:	DATE:	NO.	BY:	DATE:
1			3		
2			4		
SHEET NO. S01-26					TOTAL SHEETS 32

* FOR LOCATION OF ELEVATIONS BETWEEN BRIDGE SEAT BUILD-UPS. SEE SECTION A-A, SHEET 3 OF 3.

DOCUMENT NOT CONSIDERED FINAL
 UNLESS ALL SIGNATURES COMPLETED

P:\2017\I-5786\Structures\DGN\IzzieMill_Y1_I-5786_Y1_EBT_WE I.dgn
 6/6/2017 9:22:17 AM

DRAWN BY: D. HODGE DATE: 5/17
 CHECKED BY: B.C. HUNT DATE: 5/17