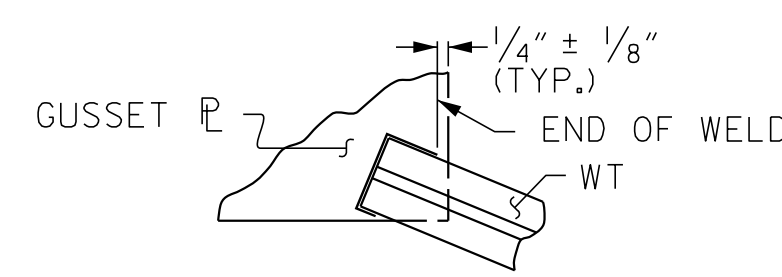
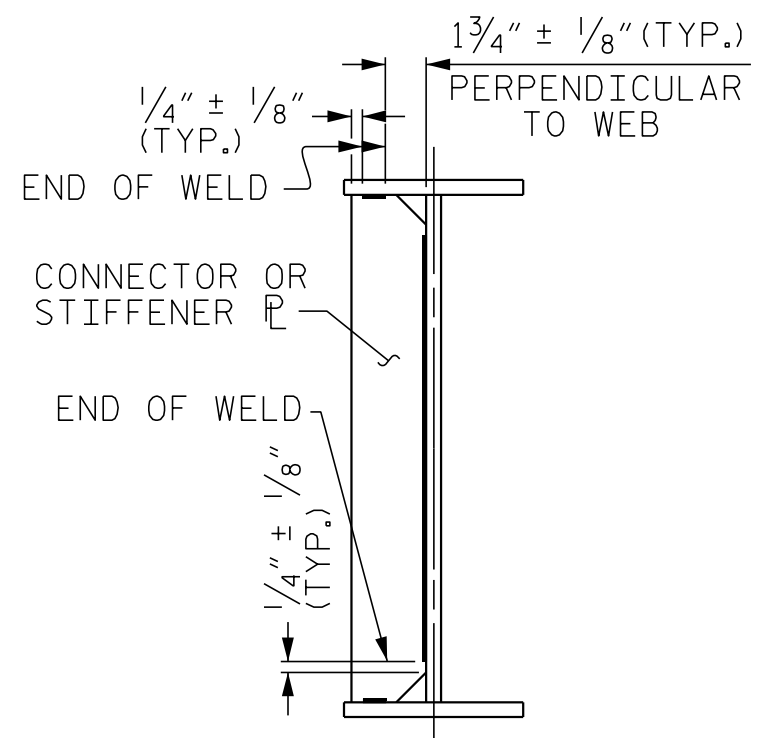


TYPICAL GUSSET PLATE CONNECTION

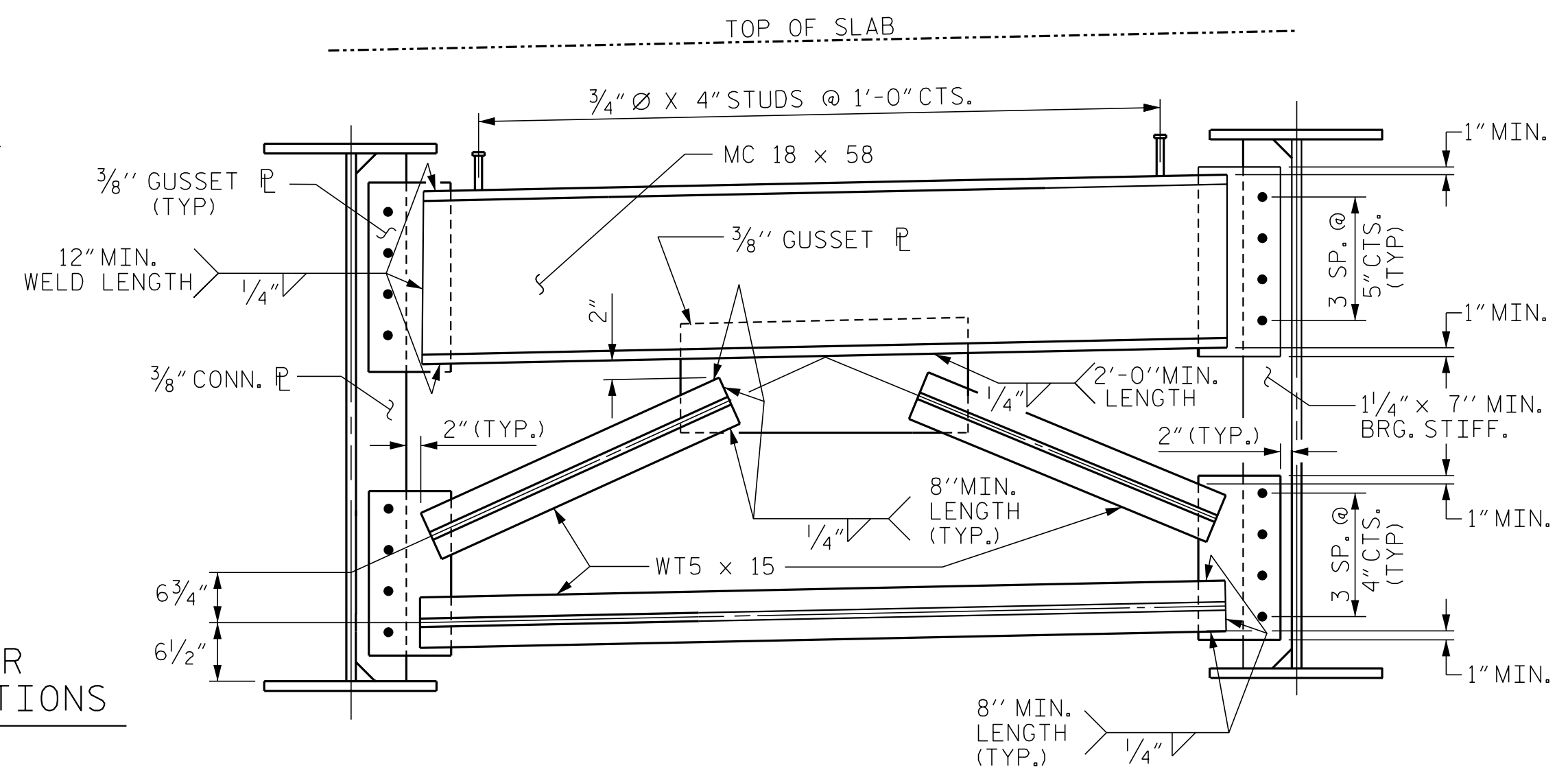


TYPICAL "TEE" TO GUSSET PLATE CONNECTION

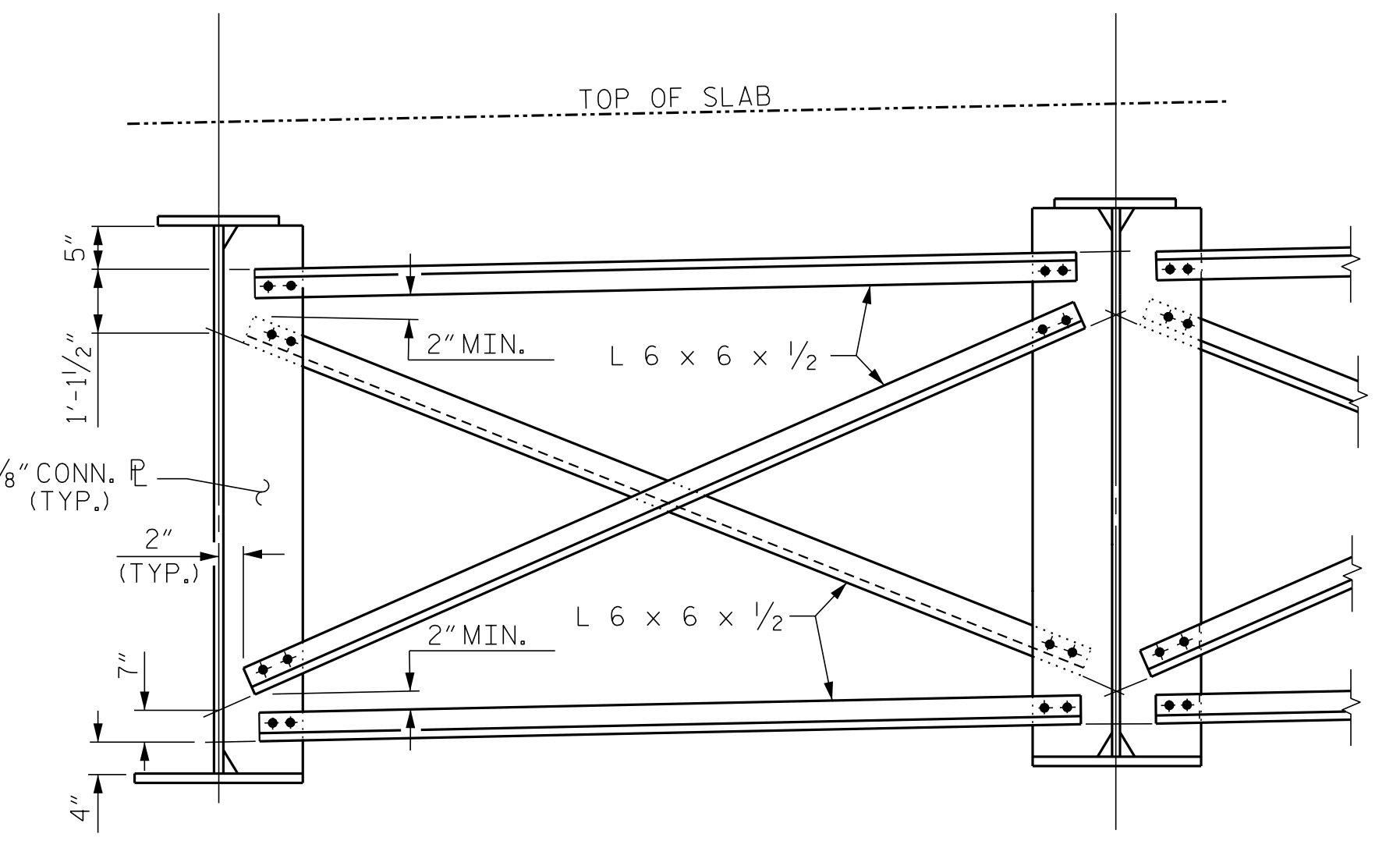


TYPICAL STIFFENER OR CONNECTOR PLATE CONNECTIONS

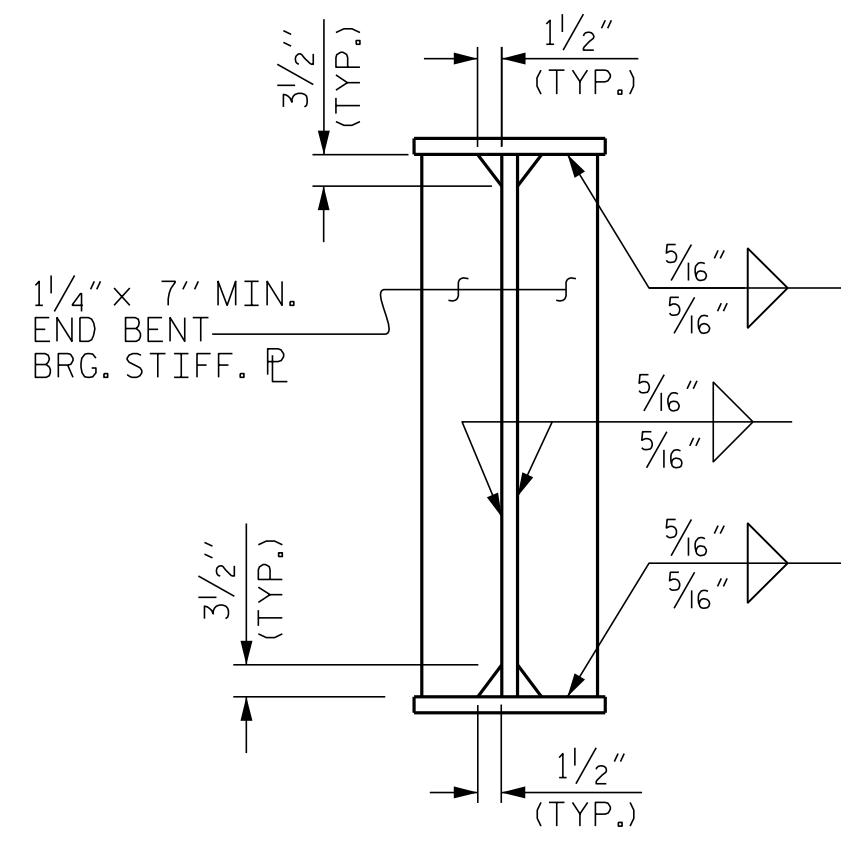
WELD TERMINATION DETAILS



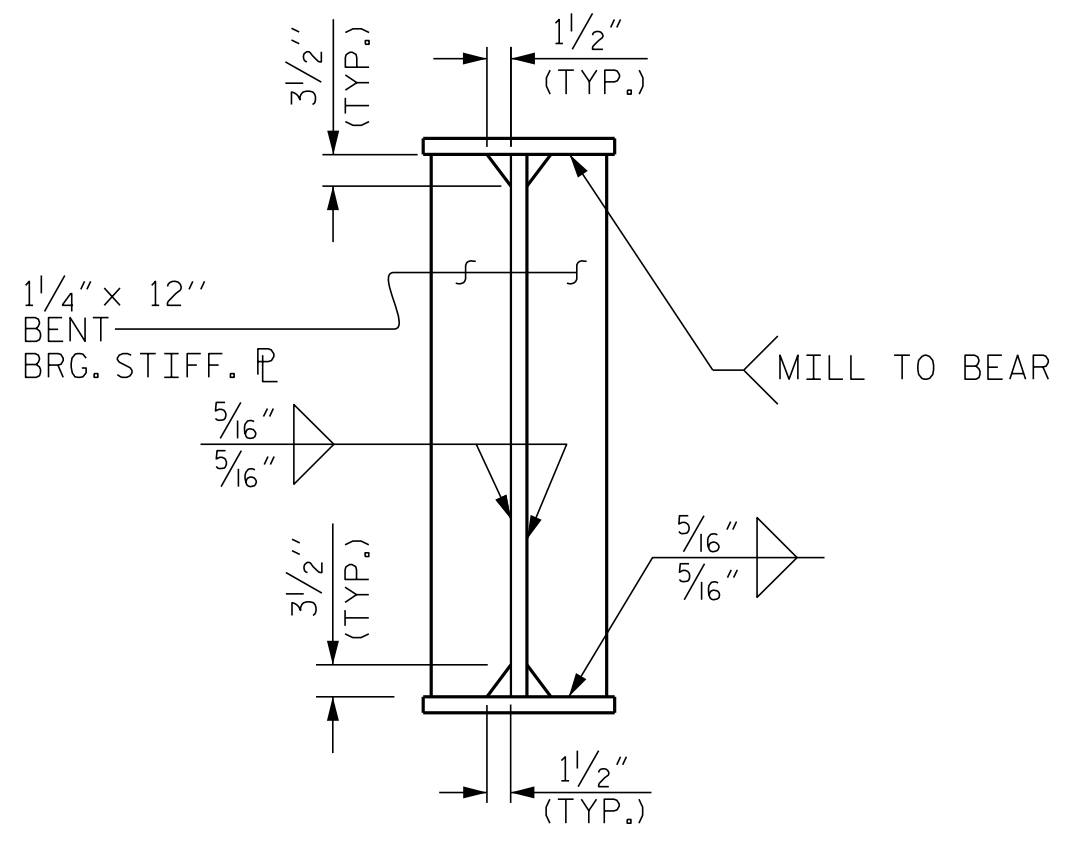
TYPICAL END BENT DIAPHRAGM (D2)



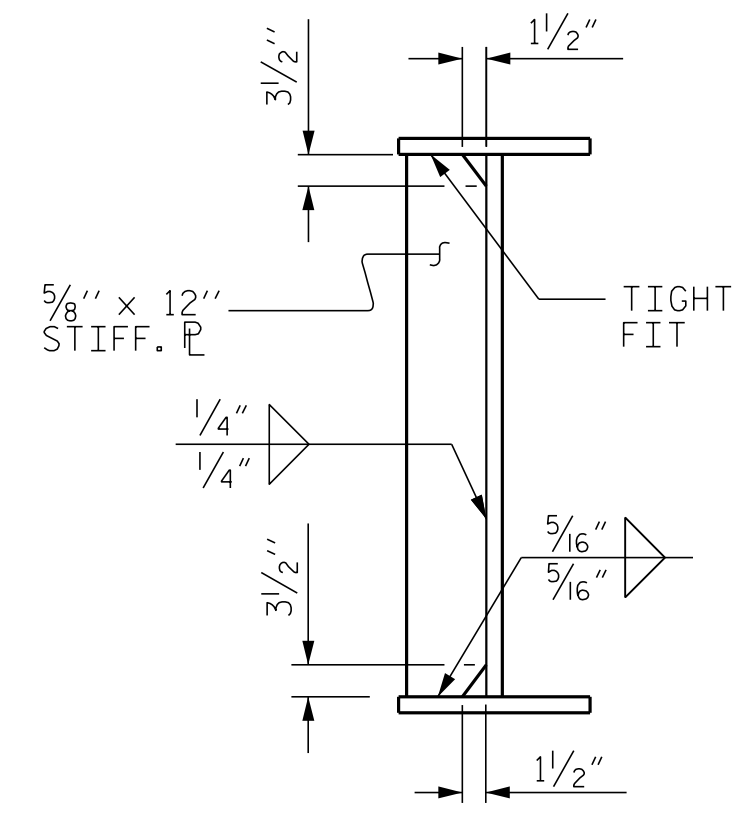
TYPICAL INTERMEDIATE DIAPHRAGM (D1)



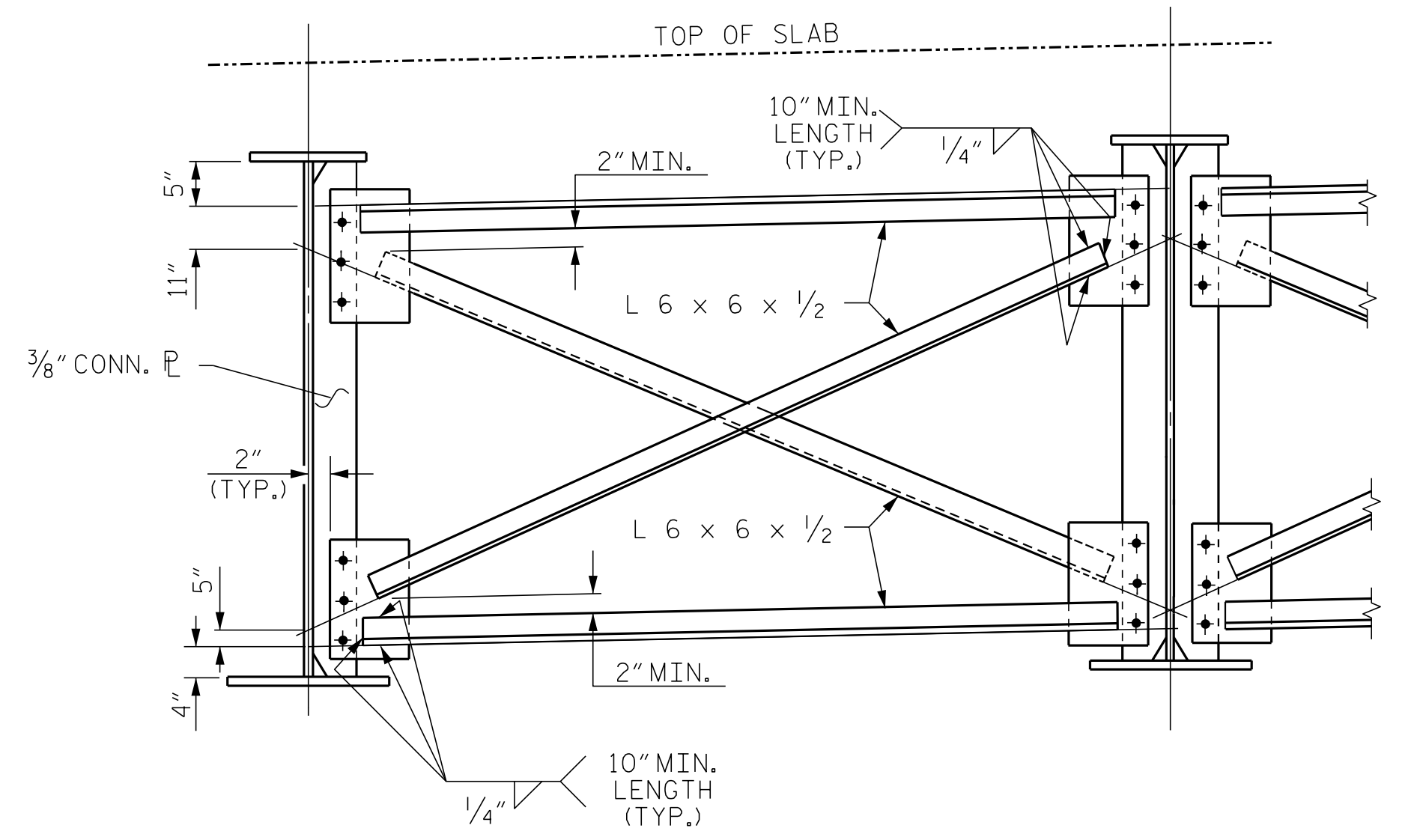
BEARING STIFFENER (AT END BENTS)



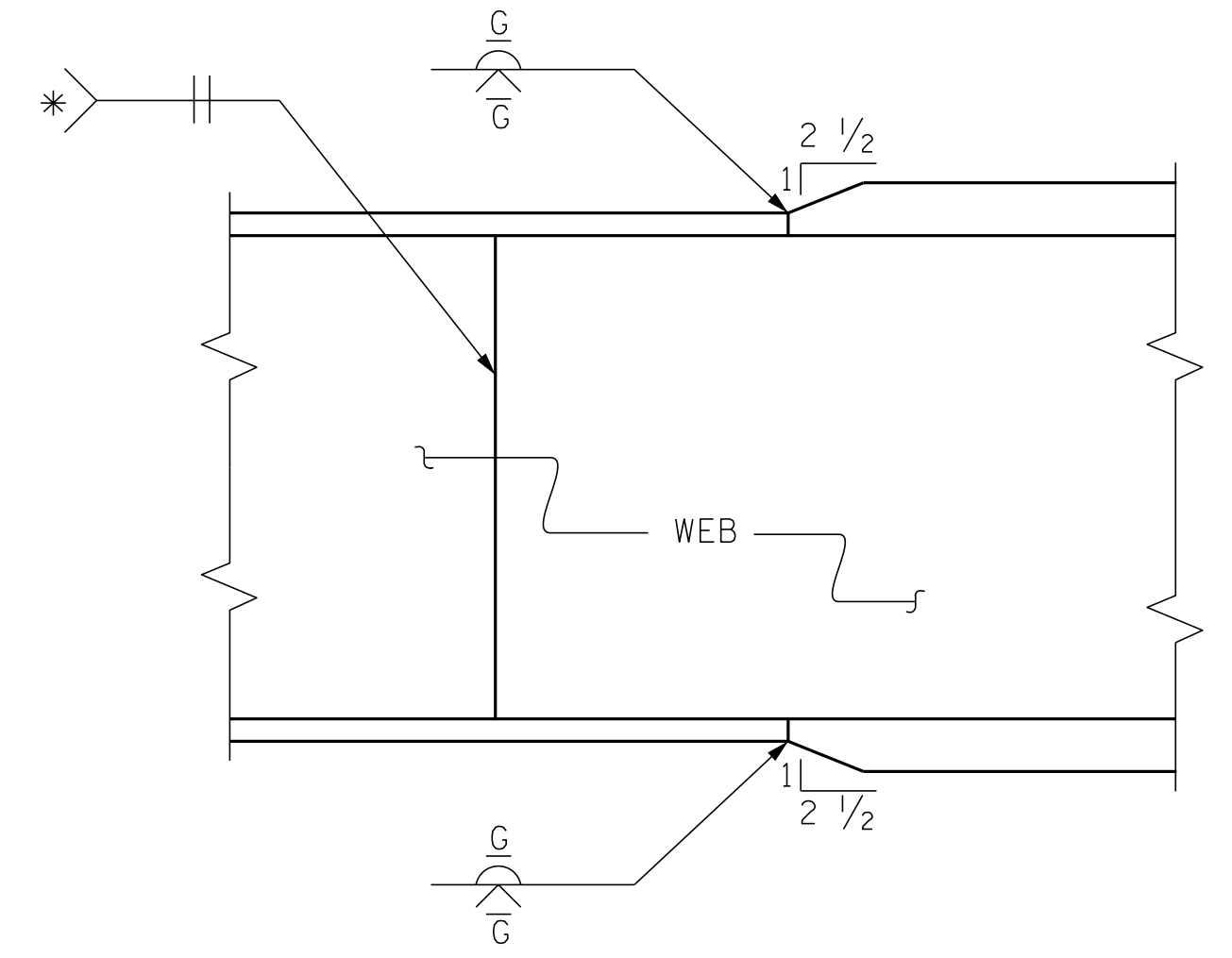
BEARING STIFFENER (AT INTERIOR BENT)



TRANSVERSE STIFFENER

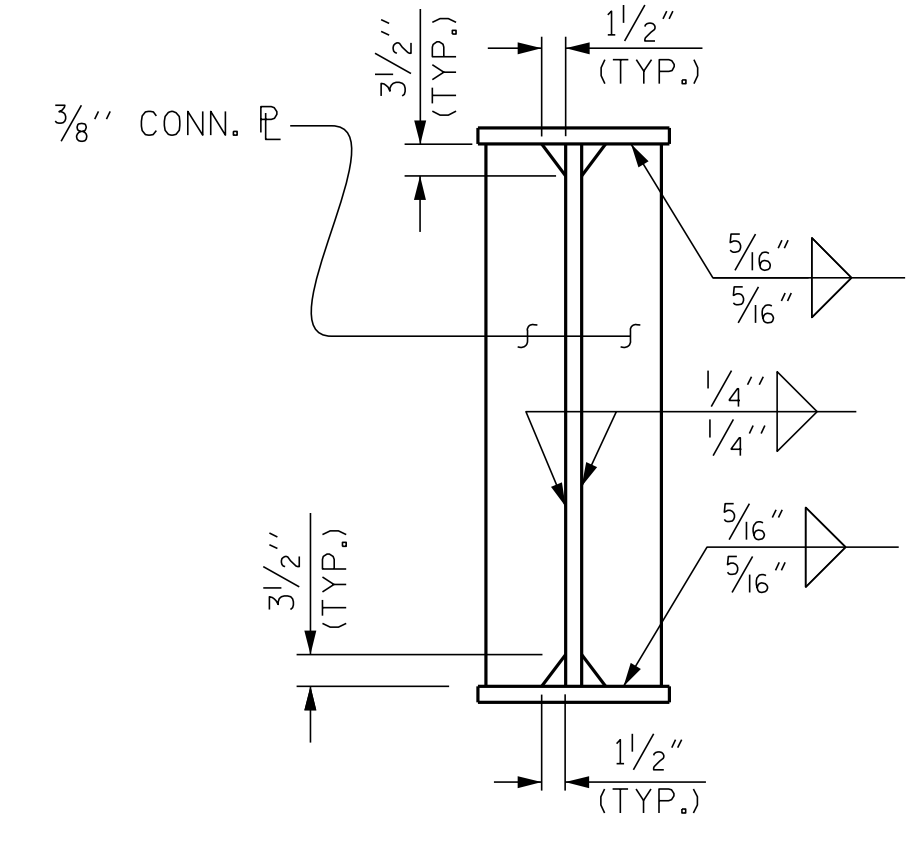


TYPICAL OPTIONAL INTERMEDIATE DIAPHRAGM (D1)



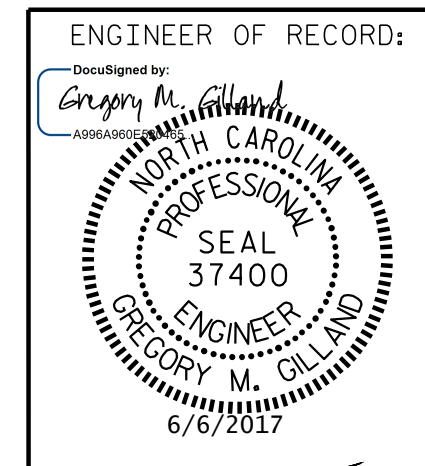
ELEVATION
TYPICAL FLANGE AND WEB BUTT JOINT

* GRIND SMOOTH AND FLUSH ON OUTER FACE OF EXTERIOR GIRDERS



CONNECTOR PLATE

PROJECT NO. I-5786
JOHNSTON COUNTY
 STATION: 17+77.11 -Y1-
 SHEET 2 OF 4



ETHERILL ENGINEERING
 1223 Jones Franklin Rd.
 Raleigh, N.C. 27606
 Bus: 919 851 8077
 Fax: 919 851 8107
 LICENSE NO. F-0377

STATE OF NORTH CAROLINA
 DEPARTMENT OF TRANSPORTATION
 RALEIGH
 SUPERSTRUCTURE
 STRUCTURAL STEEL
 DETAILS

REVISIONS						SHEET NO.
NO.	BY:	DATE:	NO.	BY:	DATE:	S01-11
1			3			TOTAL SHEETS
2			4			32

DOCUMENT NOT CONSIDERED FINAL
 UNLESS ALL SIGNATURES COMPLETED

P:\2017\I-5786\Structures\Drawings\Mill\Y1\I-5786-Y1_SS_WE_I.dgn
 6/6/2017 8:04:22 AM

DRAWN BY: D. HODGE DATE: 4/17
 CHECKED BY: B.C. HUNT DATE: 5/17