

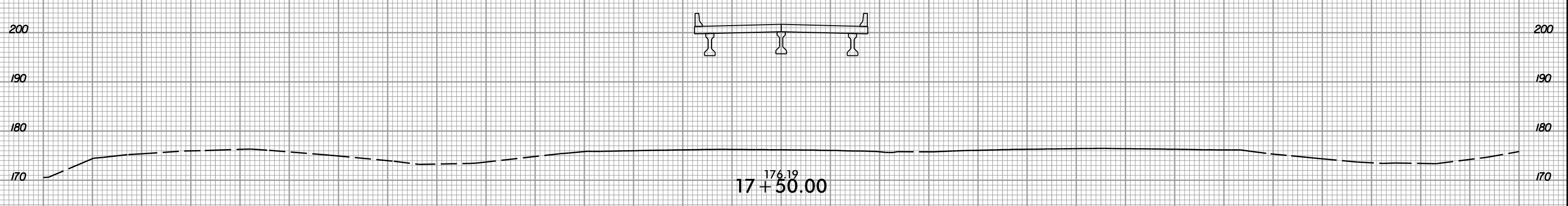
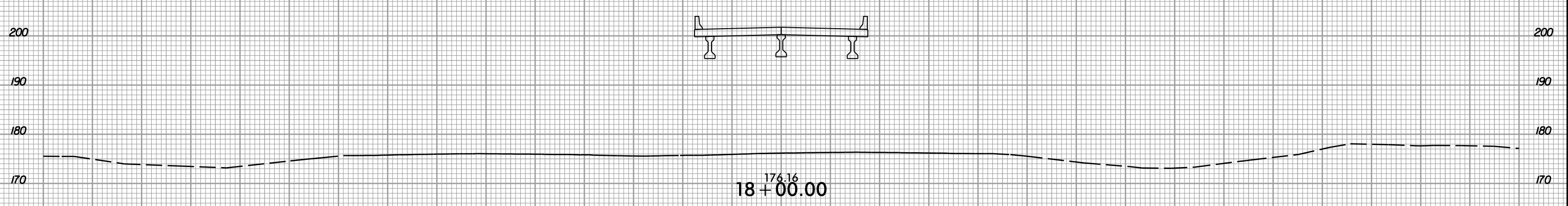
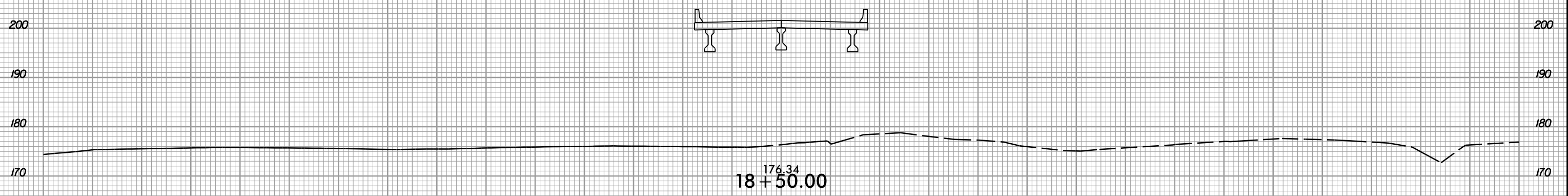
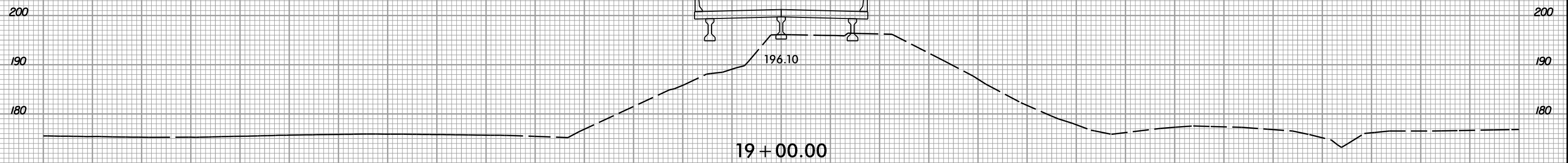
8/23/99



PROJ. REFERENCE NO.  
I-5786

SHEET NO.  
X-90

150 140 130 120 110 100 90 80 70 60 50 40 30 20 10 0 10 20 30 40 50 60 70 80 90 100 110 120 130 140 150



-Y1-

150 140 130 120 110 100 90 80 70 60 50 40 30 20 10 0 10 20 30 40 50 60 70 80 90 100 110 120 130 140 150

6/5/2017  
I:\5786\_rdy\_xpl\_Y1.dgn