

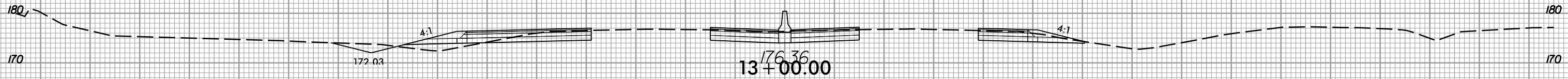
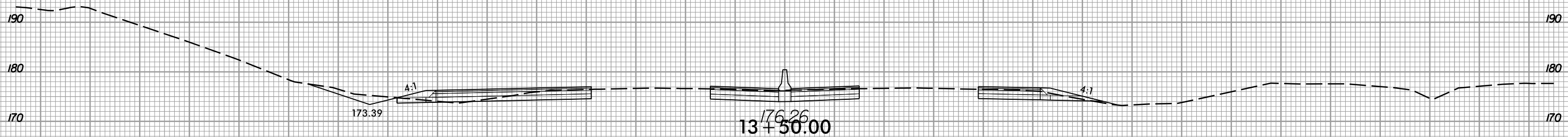
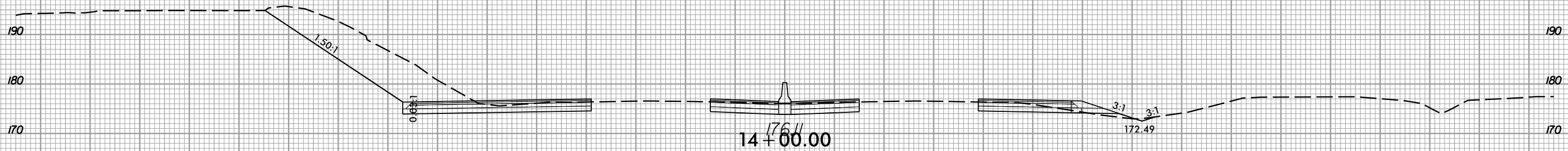
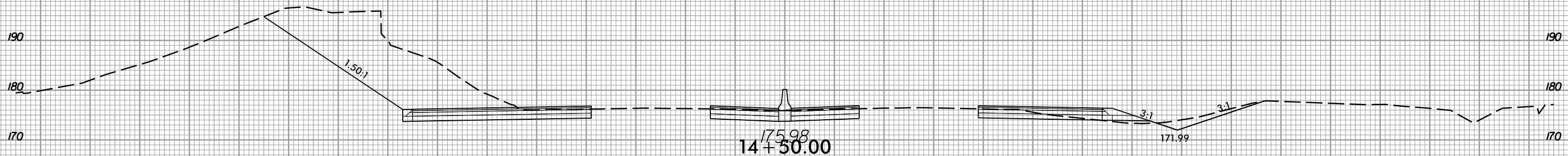
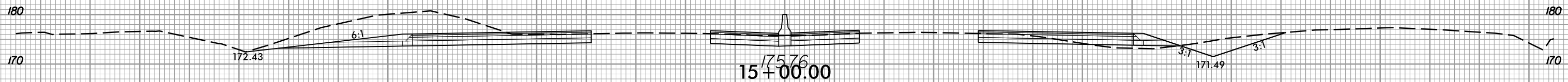
8/23/99



PROJ. REFERENCE NO.
I-5786

SHEET NO.
X-3

150 140 130 120 110 100 90 80 70 60 50 40 30 20 10 0 10 20 30 40 50 60 70 80 90 100 110 120 130 140 150



150 140 130 120 110 100 90 80 70 60 50 40 30 20 10 0 10 20 30 40 50 60 70 80 90 100 110 120 130 140 150

6/5/2017 11:53:16 AM I:\5786_rdy_xpl.L.dgn