

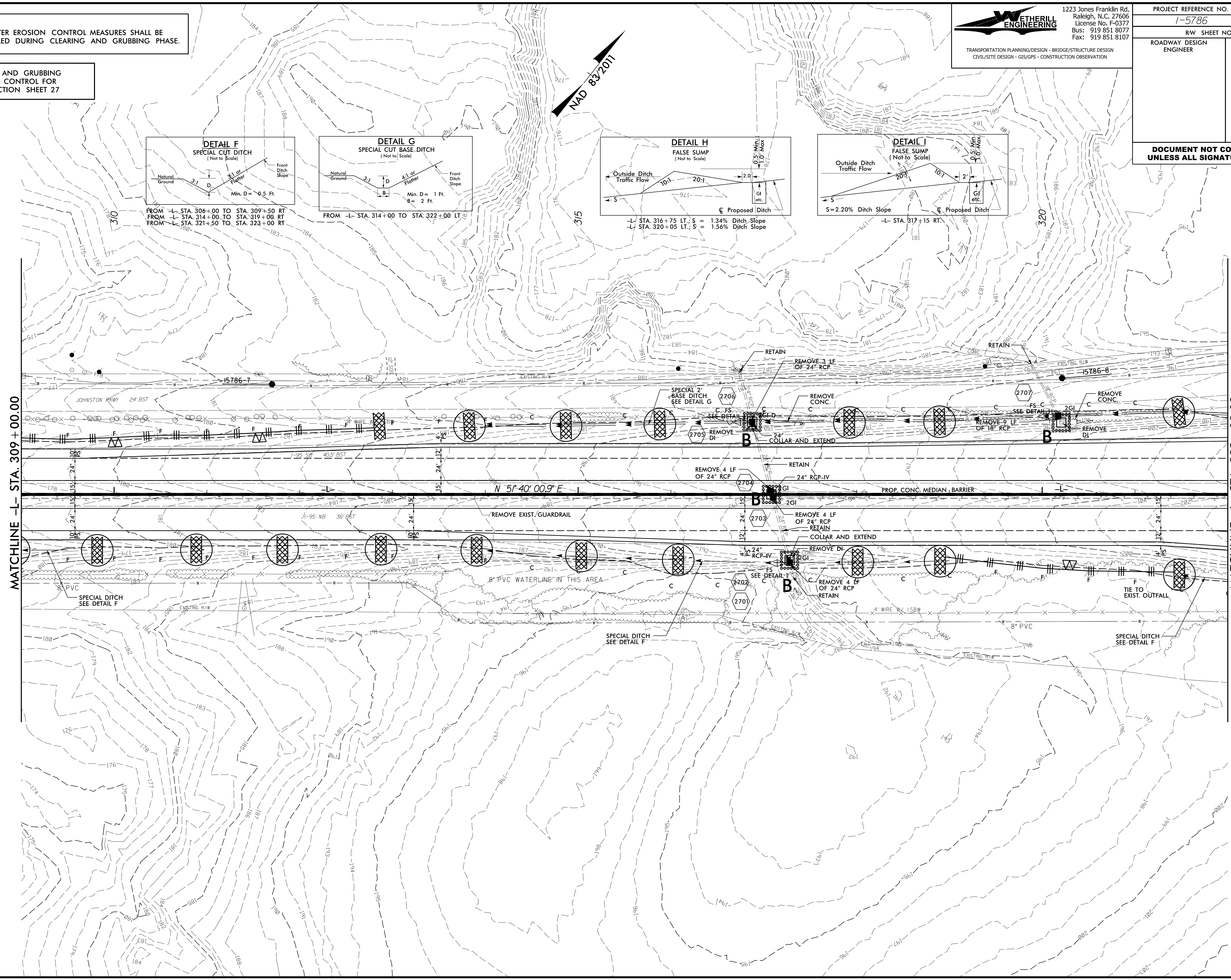
5/14/99

NOTE: PERIMETER EROSION CONTROL MEASURES SHALL BE INSTALLED DURING CLEARING AND GRUBBING PHASE.

CLEARING AND GRUBBING EROSION CONTROL FOR CONSTRUCTION SHEET 27

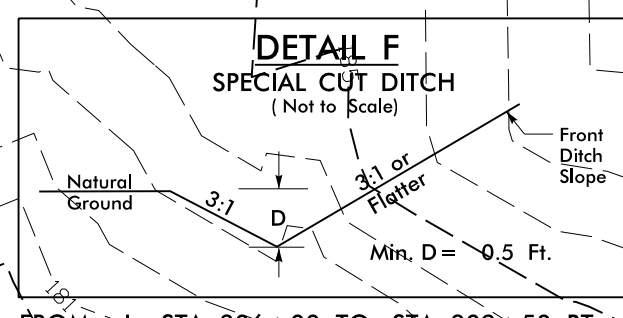
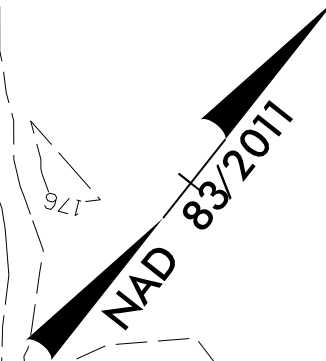
WETHERILL ENGINEERING
1223 Jones Franklin Rd.
Raleigh, N.C. 27606
License No. F-0377
Bus: 919 851 8077
Fax: 919 851 8107
TRANSPORTATION PLANNING/DESIGN - BRIDGE/STRUCTURE DESIGN
CIVIL/SITE DESIGN - GIS/GPS - CONSTRUCTION OBSERVATION

PROJECT REFERENCE NO.	SHEET NO.
1-5786	EC-27/CONST. 27
RW SHEET NO.	
ROADWAY DESIGN ENGINEER	HYDRAULICS ENGINEER
DOCUMENT NOT CONSIDERED FINAL UNLESS ALL SIGNATURES COMPLETED	

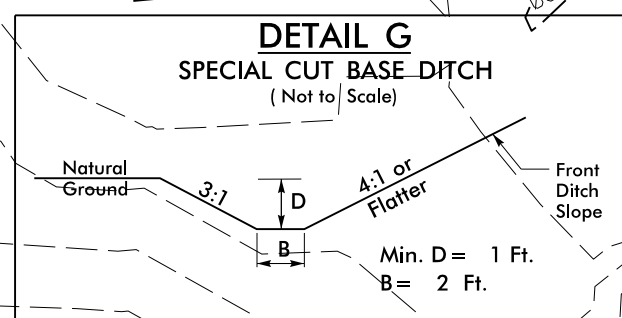


MATCHLINE -L- STA. 309 + 00.00

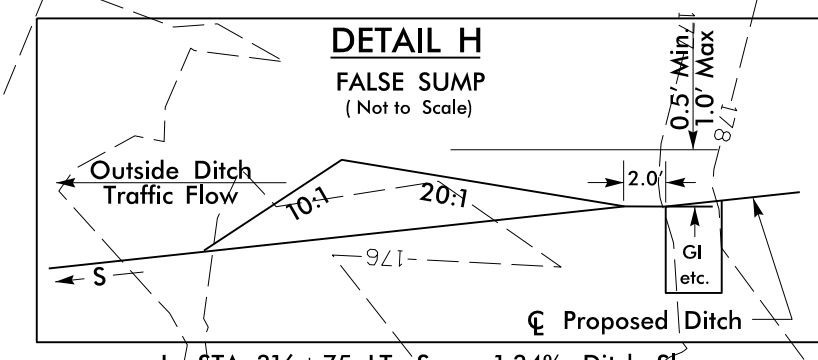
MATCHLINE -L- STA. 322 + 00.00



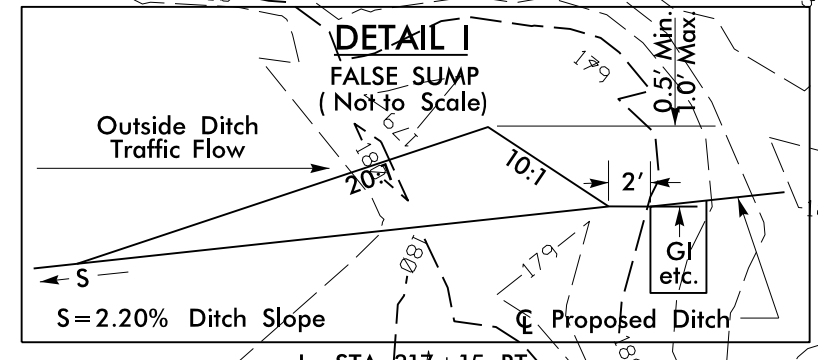
FROM -L- STA. 306+00 TO STA. 309+50 RT
FROM -L- STA. 314+00 TO STA. 319+00 RT
FROM -L- STA. 321+50 TO STA. 323+00 RT



FROM -L- STA. 314+00 TO STA. 322+00 LT



-L- STA. 316+75 LT; S = 1.34% Ditch Slope
-L- STA. 320+05 LT; S = 1.56% Ditch Slope



-L- STA. 317+15 RT

N 51° 40' 00.9" E

REMOVE EXIST. GUARDRAIL

8" PVC WATERLINE IN THIS AREA

SPECIAL DITCH SEE DETAIL F

REMOVE 4 LF OF 24" RCP

RETAIN

24" RGP-IV

PROP. CONC. MEDIAN BARRIER

REMOVE 4 LF OF 24" RCP

RETAIN

COLLAR AND EXTEND

REMOVE 4 LF OF 24" RCP

RETAIN

REMOVE 4 LF OF 24" RCP

RETAIN

REMOVE 4 LF OF 24" RCP

RETAIN

REMOVE 4 LF OF 24" RCP

RETAIN

REMOVE 4 LF OF 24" RCP

RETAIN

REMOVE 4 LF OF 24" RCP

RETAIN

REMOVE 4 LF OF 24" RCP

RETAIN

REMOVE 4 LF OF 24" RCP

RETAIN

REMOVE 4 LF OF 24" RCP

RETAIN

REMOVE 4 LF OF 24" RCP

RETAIN

REMOVE 4 LF OF 24" RCP

RETAIN

24" RGP-IV

PROP. CONC. MEDIAN BARRIER

REMOVE 4 LF OF 24" RCP

RETAIN

COLLAR AND EXTEND

REMOVE 4 LF OF 24" RCP

RETAIN

REMOVE 4 LF OF 24" RCP

RETAIN

REMOVE 4 LF OF 24" RCP

RETAIN

REMOVE 4 LF OF 24" RCP

RETAIN

REMOVE 4 LF OF 24" RCP

RETAIN

REMOVE 4 LF OF 24" RCP

RETAIN

REMOVE 4 LF OF 24" RCP

RETAIN

REMOVE 4 LF OF 24" RCP

RETAIN

REMOVE 4 LF OF 24" RCP

RETAIN

REMOVE 4 LF OF 24" RCP

RETAIN

REMOVE 4 LF OF 24" RCP

RETAIN

24" RGP-IV

PROP. CONC. MEDIAN BARRIER

REMOVE 4 LF OF 24" RCP

RETAIN

COLLAR AND EXTEND

REMOVE 4 LF OF 24" RCP

RETAIN

REMOVE 4 LF OF 24" RCP

RETAIN

REMOVE 4 LF OF 24" RCP

RETAIN

REMOVE 4 LF OF 24" RCP

RETAIN

REMOVE 4 LF OF 24" RCP

RETAIN

REMOVE 4 LF OF 24" RCP

RETAIN

REMOVE 4 LF OF 24" RCP

RETAIN

REMOVE 4 LF OF 24" RCP

RETAIN

REMOVE 4 LF OF 24" RCP

RETAIN

REMOVE 4 LF OF 24" RCP

RETAIN

REMOVE 4 LF OF 24" RCP

RETAIN

24" RGP-IV

PROP. CONC. MEDIAN BARRIER

REMOVE 4 LF OF 24" RCP

RETAIN

COLLAR AND EXTEND

REMOVE 4 LF OF 24" RCP

RETAIN

REMOVE 4 LF OF 24" RCP

RETAIN

REMOVE 4 LF OF 24" RCP

RETAIN

REMOVE 4 LF OF 24" RCP

RETAIN

REMOVE 4 LF OF 24" RCP

RETAIN

REMOVE 4 LF OF 24" RCP

RETAIN

REMOVE 4 LF OF 24" RCP

RETAIN

REMOVE 4 LF OF 24" RCP

RETAIN

REMOVE 4 LF OF 24" RCP

RETAIN

REMOVE 4 LF OF 24" RCP

RETAIN

REMOVE 4 LF OF 24" RCP

RETAIN

24" RGP-IV

PROP. CONC. MEDIAN BARRIER

REMOVE 4 LF OF 24" RCP

RETAIN

COLLAR AND EXTEND

REMOVE 4 LF OF 24" RCP

RETAIN

REMOVE 4 LF OF 24" RCP

RETAIN

REMOVE 4 LF OF 24" RCP

RETAIN

REMOVE 4 LF OF 24" RCP

RETAIN

REMOVE 4 LF OF 24" RCP

RETAIN

REMOVE 4 LF OF 24" RCP

RETAIN

REMOVE 4 LF OF 24" RCP

RETAIN

REMOVE 4 LF OF 24" RCP

RETAIN

REMOVE 4 LF OF 24" RCP

RETAIN

REMOVE 4 LF OF 24" RCP

RETAIN

5/14/99