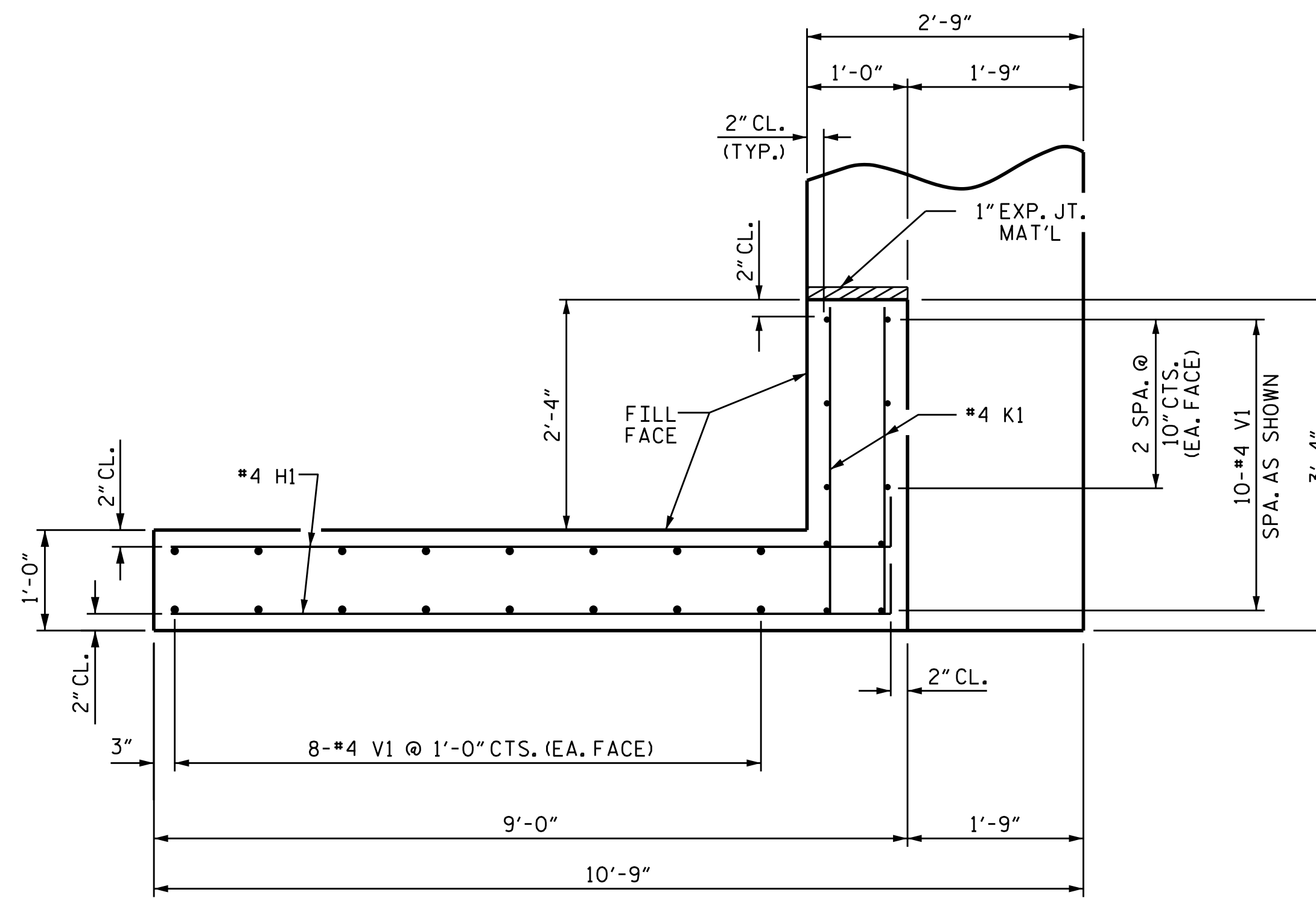
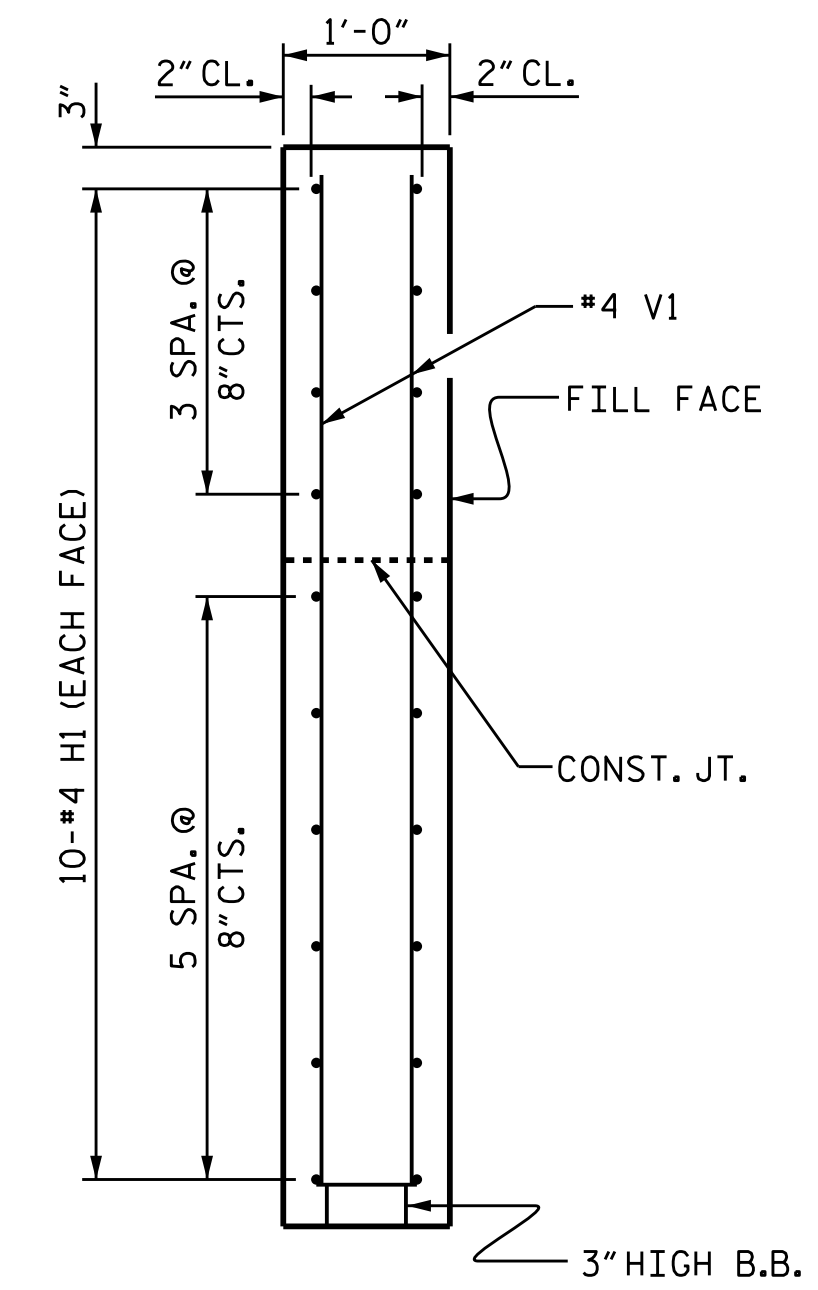


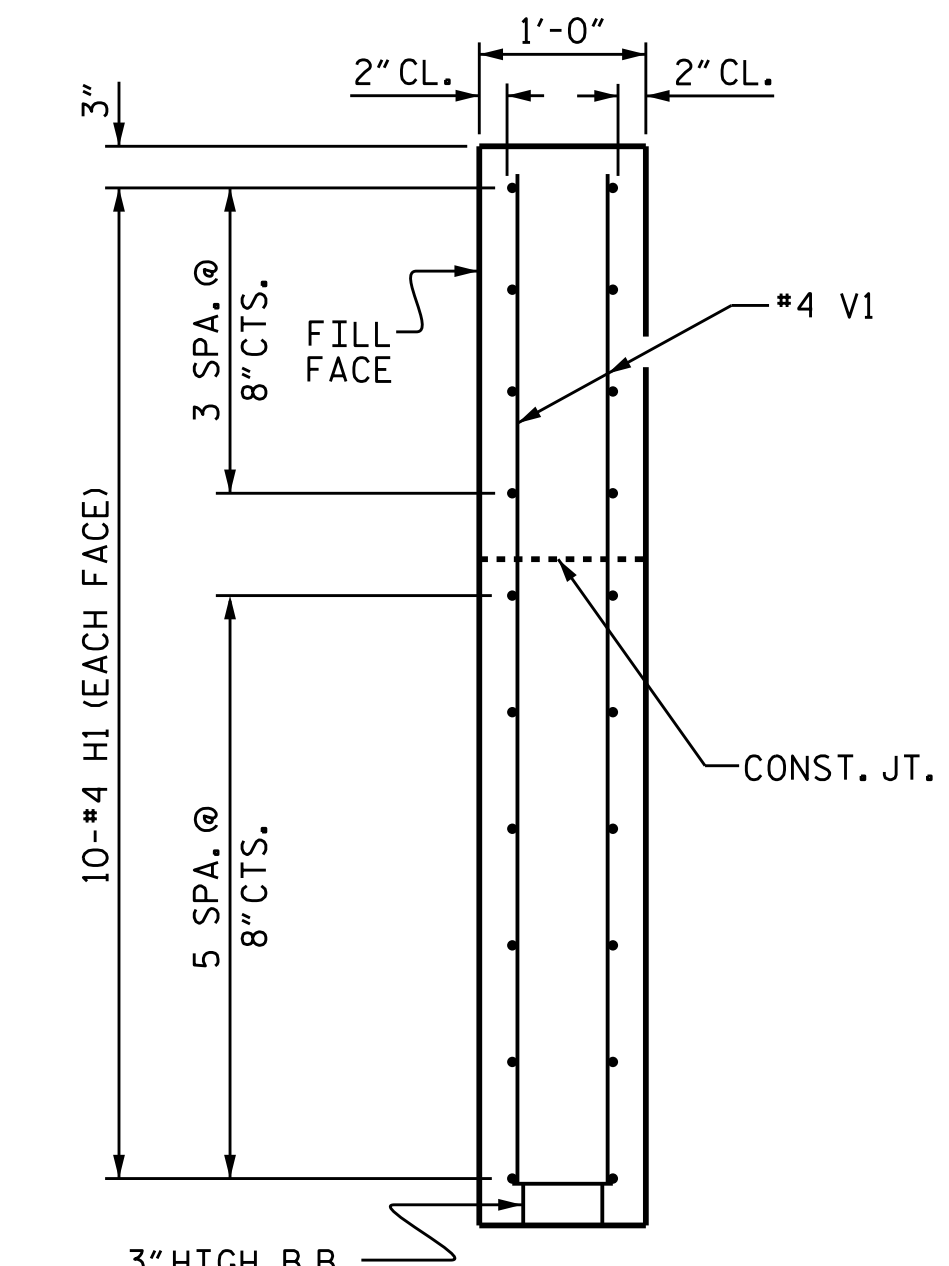
PLAN OF WING (W1)



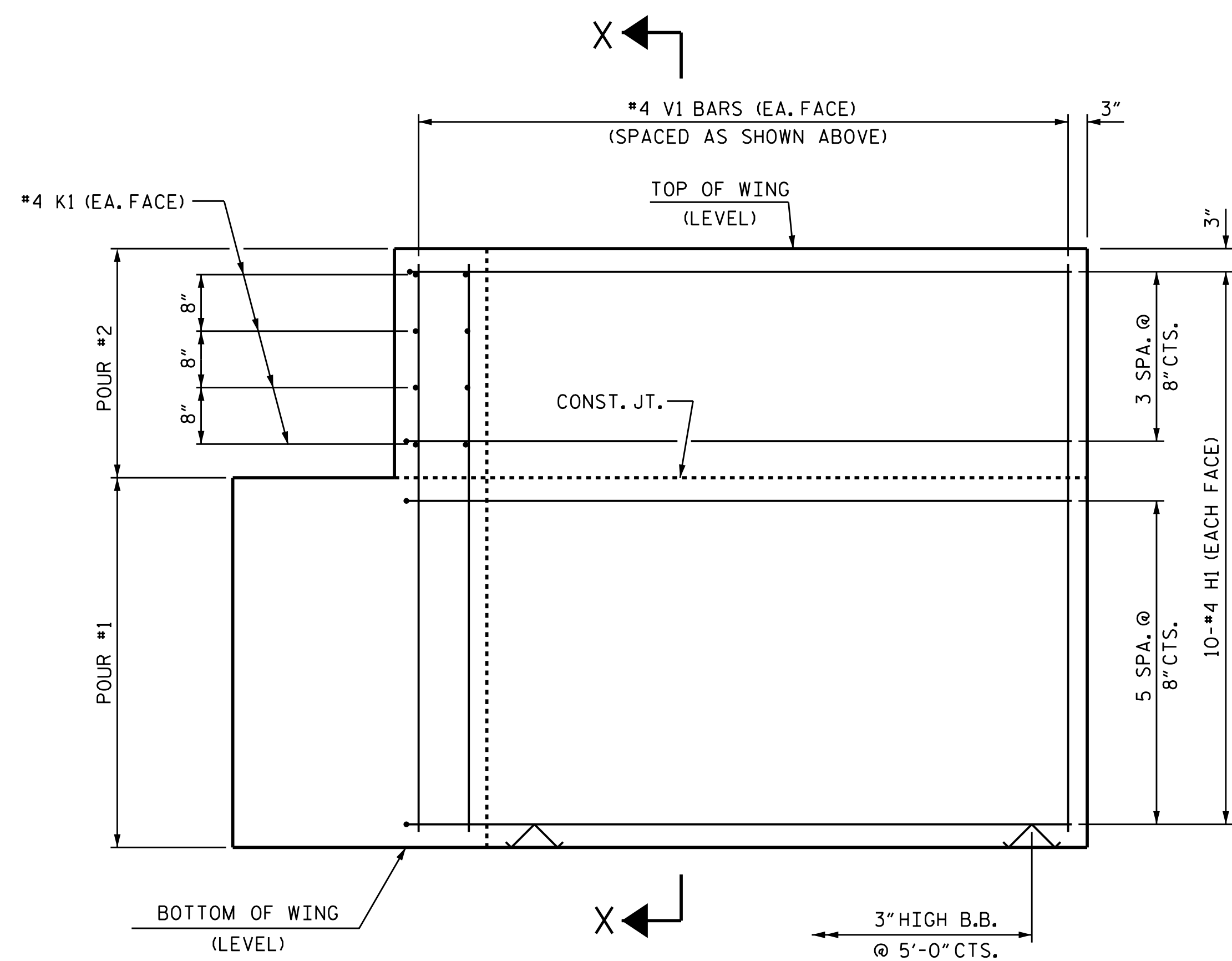
PLAN OF WING (W2)



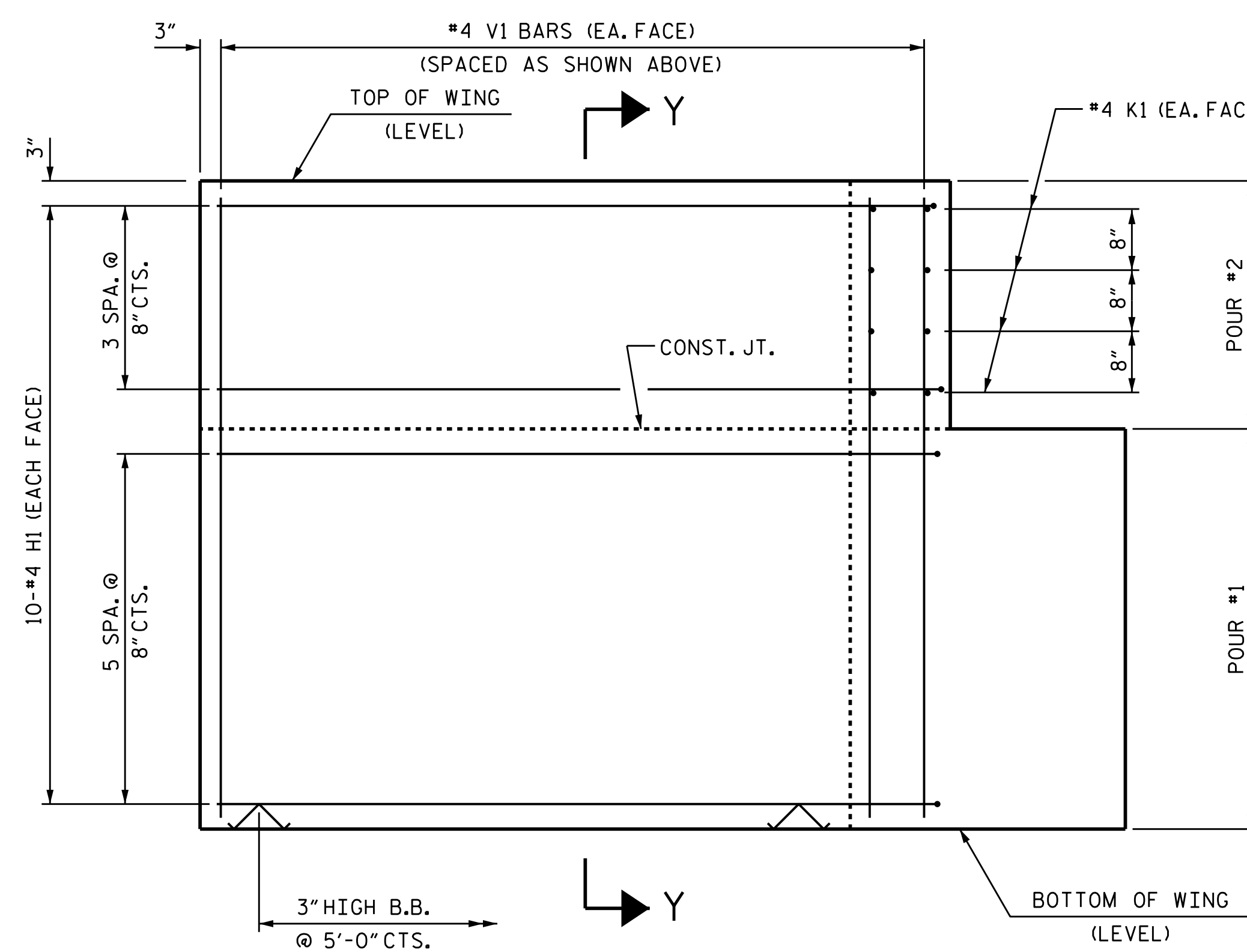
SECTION X-X



SECTION Y-Y



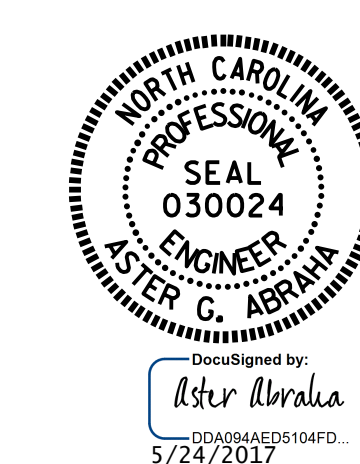
ELEVATION OF WING (W1)



ELEVATION OF WING (W2)

WING DETAILS

PROJECT NO. B-5332
COLUMBUS COUNTY
 STATION: 12+67.50 -L-
 SHEET 3 OF 4



STATE OF NORTH CAROLINA
 DEPARTMENT OF TRANSPORTATION
 RALEIGH
 SUBSTRUCTURE
 END BENT
 WING DETAILS

ASSEMBLED BY : D.A. DAVENPORT	DATE : 6/7/16
CHECKED BY : S. B. WILLIAMS	DATE : 3/17
DRAWN BY : WJH	12/11
CHECKED BY : AAC	12/11
REV. 4/15	MAA/TMG

DOCUMENT NOT CONSIDERED
 FINAL UNLESS ALL
 SIGNATURES COMPLETED

REVISIONS						SHEET NO.	
NO.	BY:	DATE:	NO.	BY:	DATE:	S-11	
1			3			TOTAL	14
2			4			SHEETS	