

STATE OF NORTH CAROLINA
DEPT. OF TRANSPORTATION
DIVISION OF HIGHWAYS
RALEIGH, N.C.

4-16

ENGLISH DETAIL DRAWING FOR
PAVEMENT MARKINGS
WRONG WAY RAMP ARROW
ONE-LANE EXIT RAMP AT MULTI-LANE APPROACH

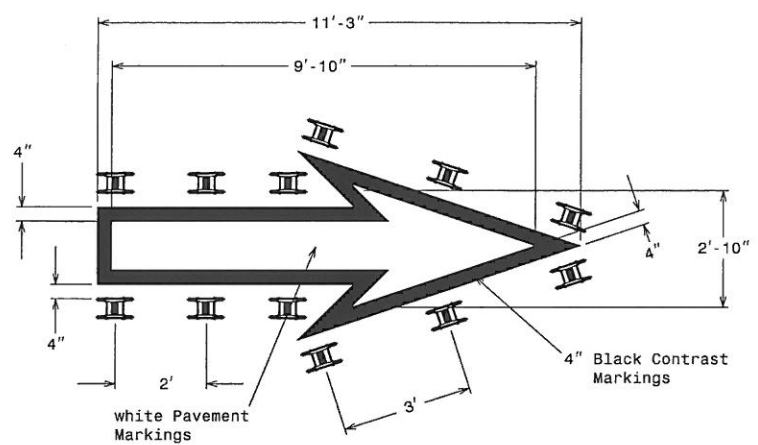
STATE OF NORTH CAROLINA
DEPT. OF TRANSPORTATION
DIVISION OF HIGHWAYS
RALEIGH, N.C.

4-16

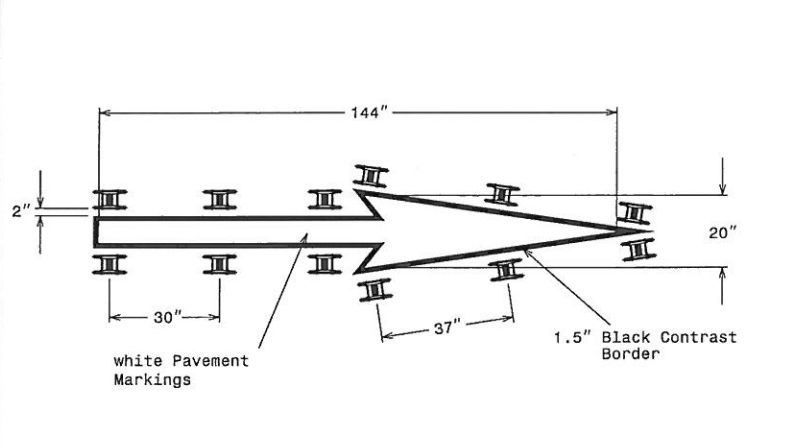
ENGLISH DETAIL DRAWING FOR
PAVEMENT MARKINGS
WRONG WAY RAMP ARROW
ONE-LANE EXIT RAMP AT MULTI-LANE APPROACH

SHEET 2 OF 2
1205.XX

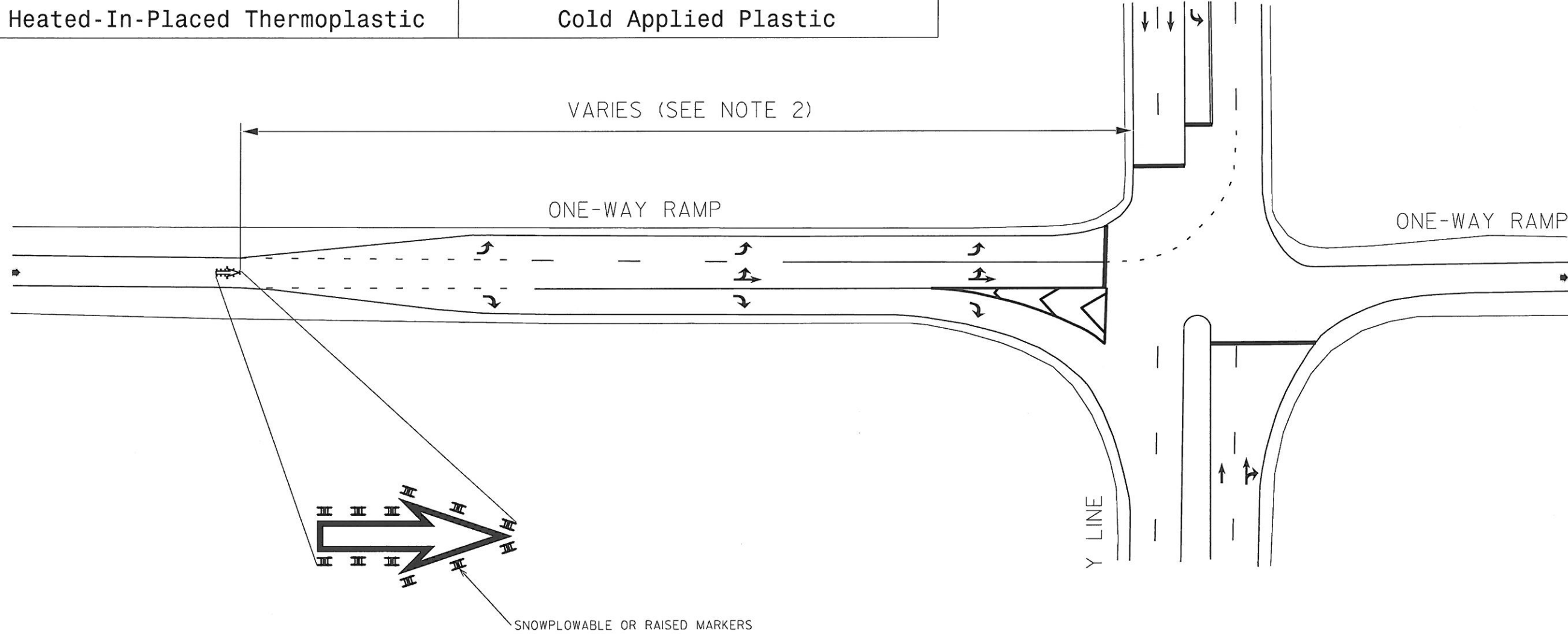
CONCRETE TREATMENT



Heated-In-Placed Thermoplastic



Cold Applied Plastic



NOTES:

- 1) PAVEMENT MARKINGS SHALL BE INSTALLED ON CONCRETE SURFACES ONLY.
- 2) PLACEMENT OF WRONG-WAY RAMP ARROW VARIES AND SHOULD BE LOCATED JUST BEFORE THE MULTI-LANE APPROACH.
- 3) INSTALL MARKERS, SNOWPLOWABLE OR RAISED, IN ACCORDANCE TO THE DETAILS ON THIS SHEET.
- 4) MARKING SHALL BE WHITE HEATED-IN-PLACED THERMOPLASTIC WITH 4 INCH BLACK CONTRAST BORDER OR COLD APPLIED PLASTIC WITH 1.5 INCH WITH BLACK CONTRAST BORDER.

LEGEND	
	DIRECTION OF TRAFFIC FLOW
	PAVEMENT MARKING SYMBOLS