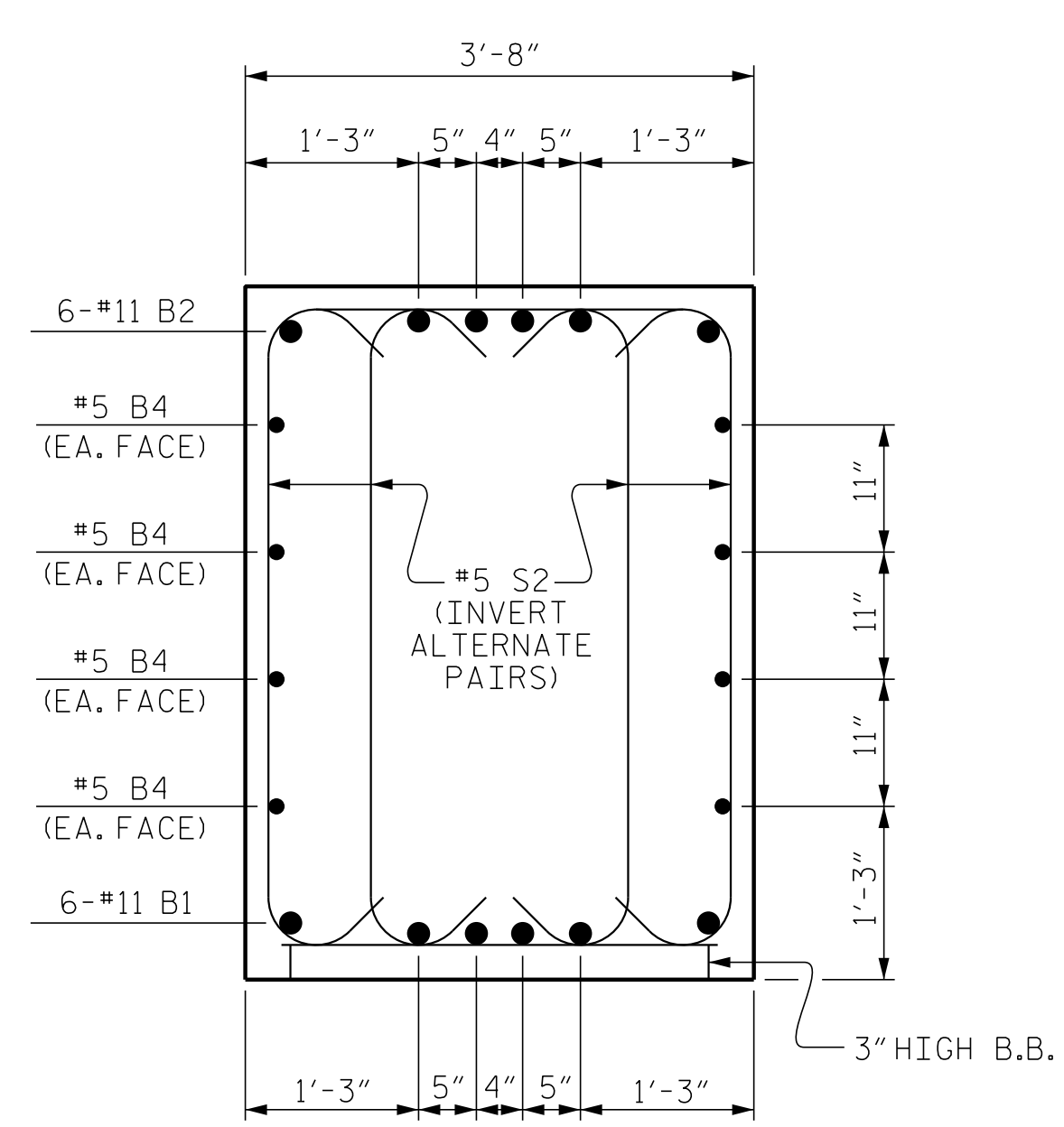
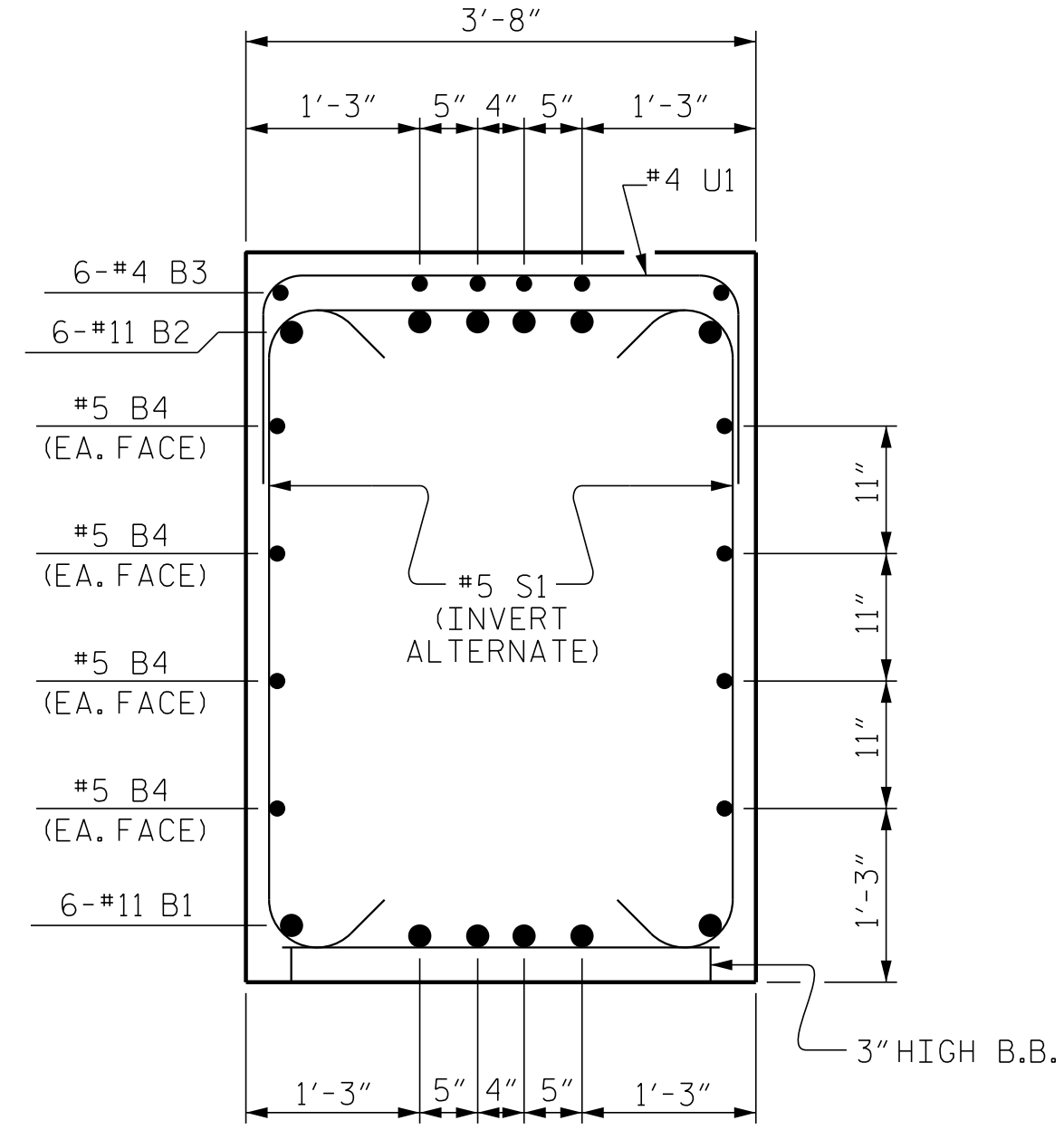


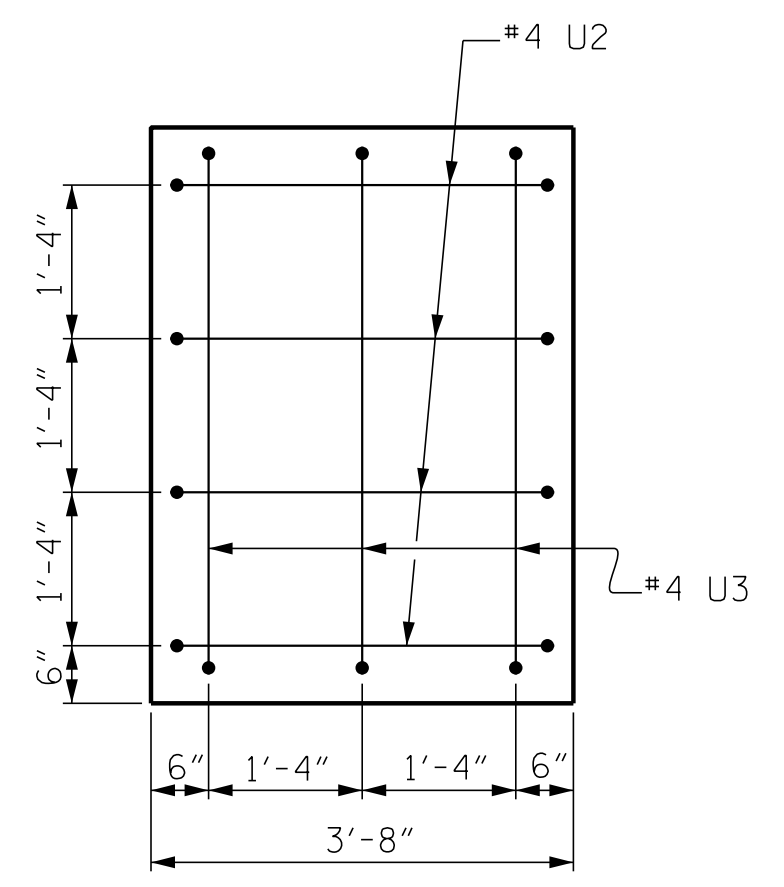
POSITION OF PILE DURING WELDING.
PILE SPlice DETAILS



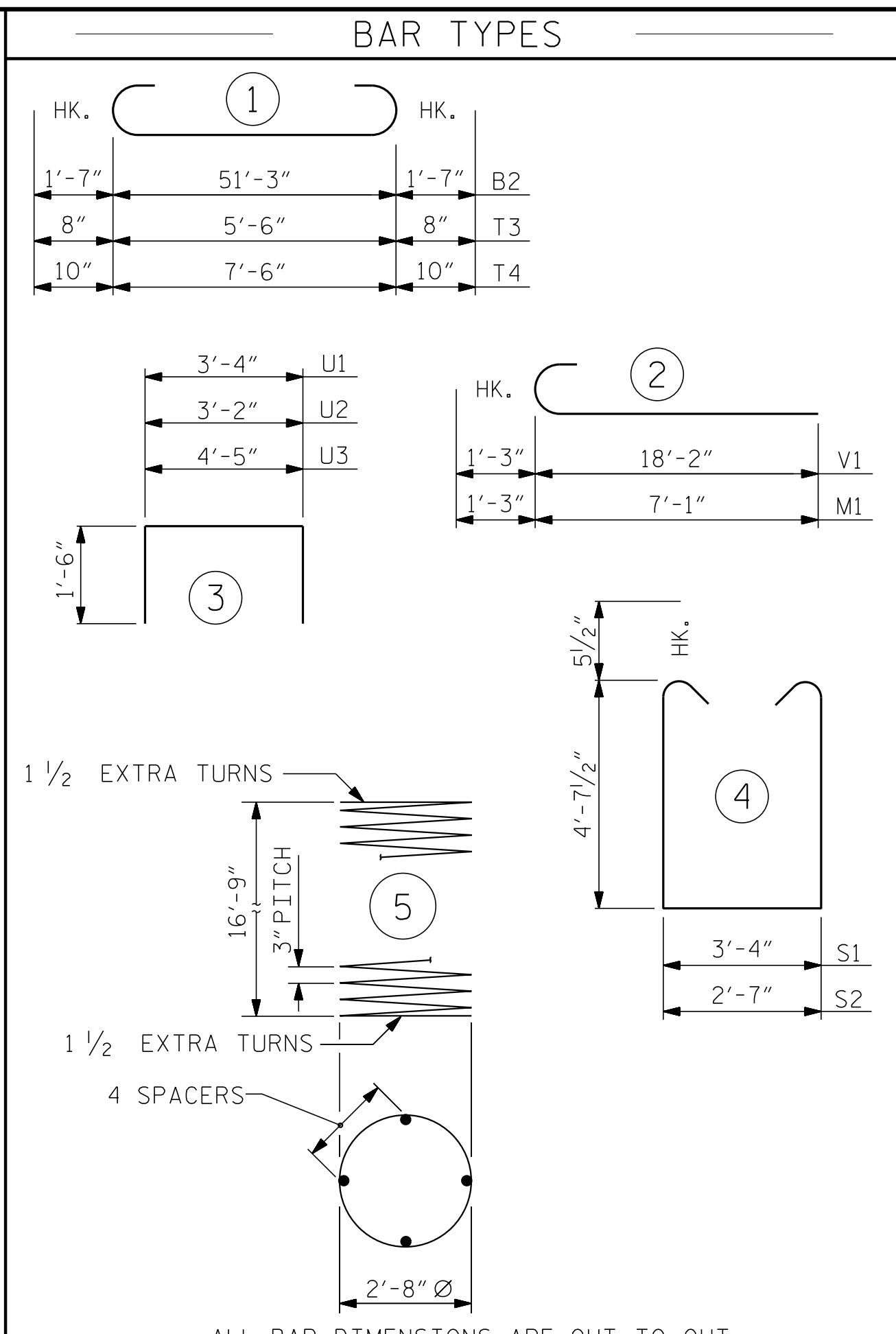
SECTION A-A



SECTION B-B

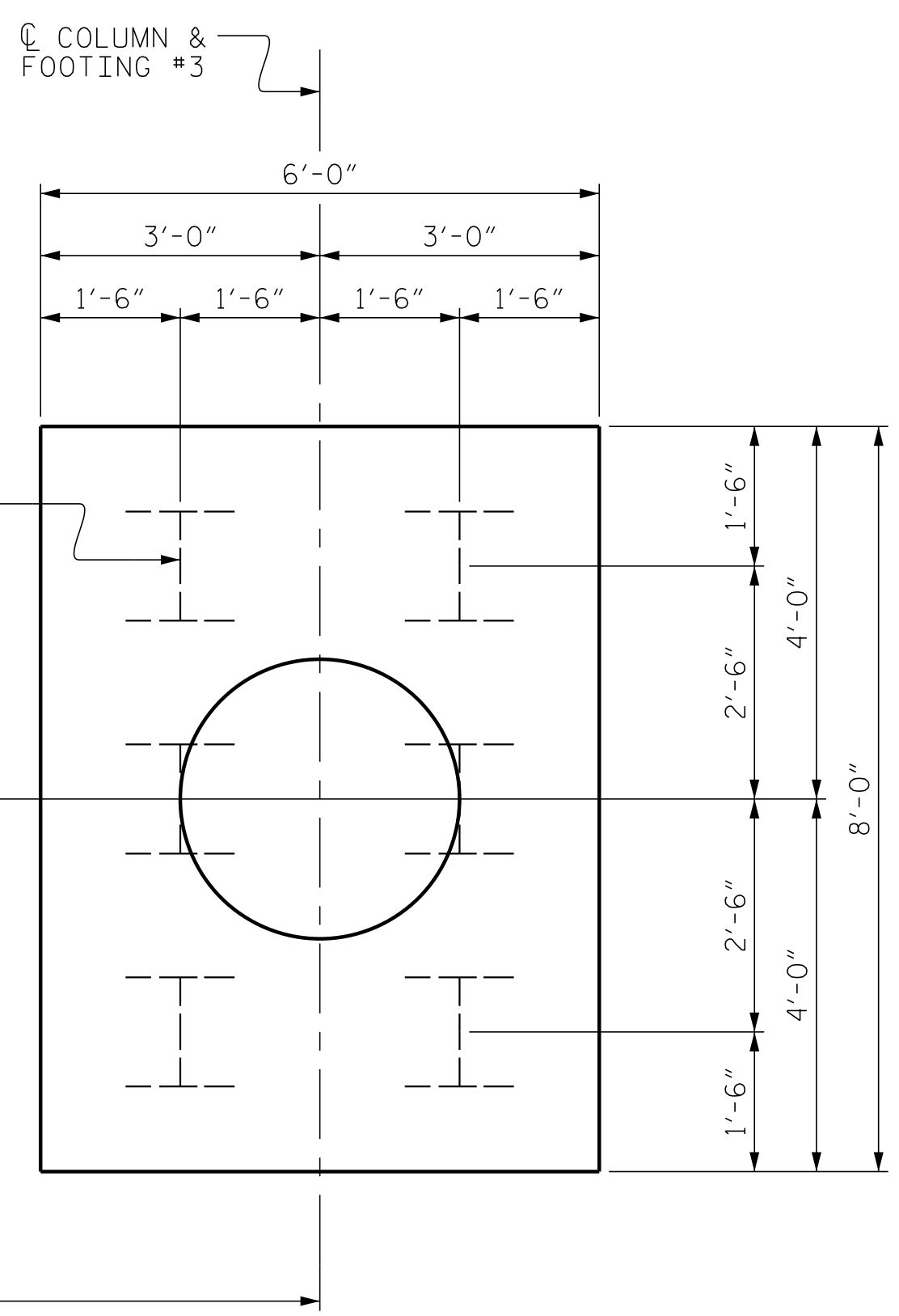
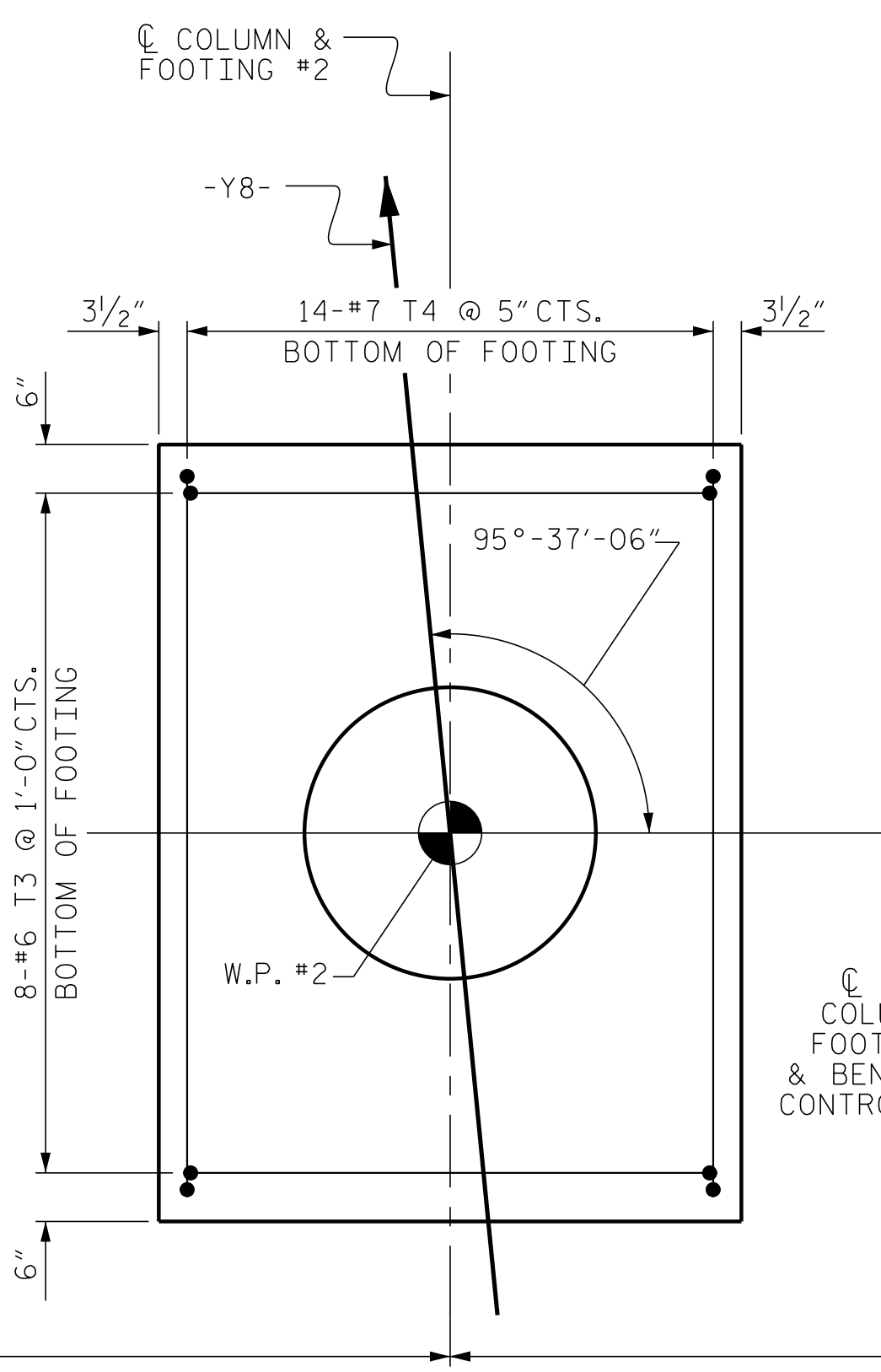
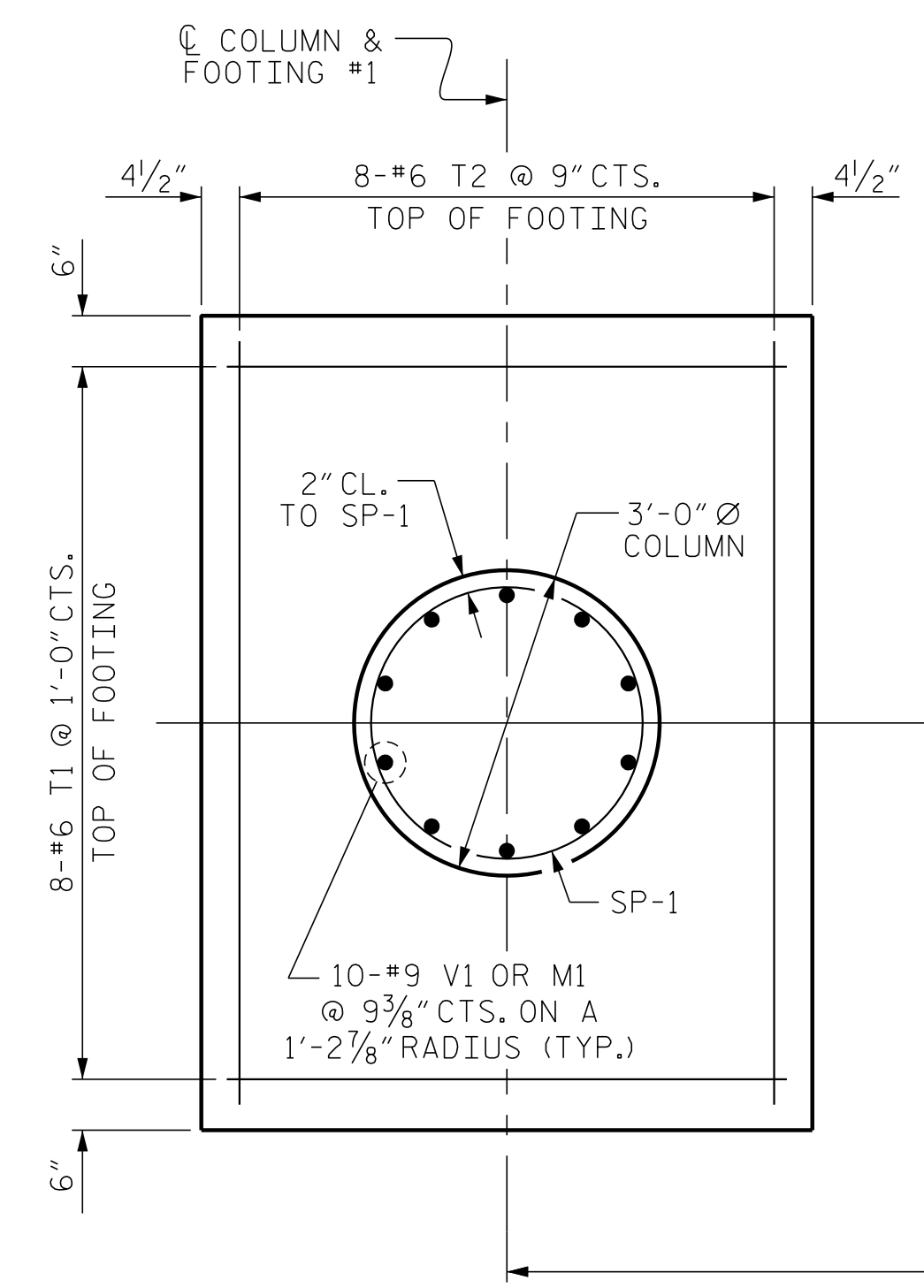


END OF CAP VIEW
(TYP. EA. END)



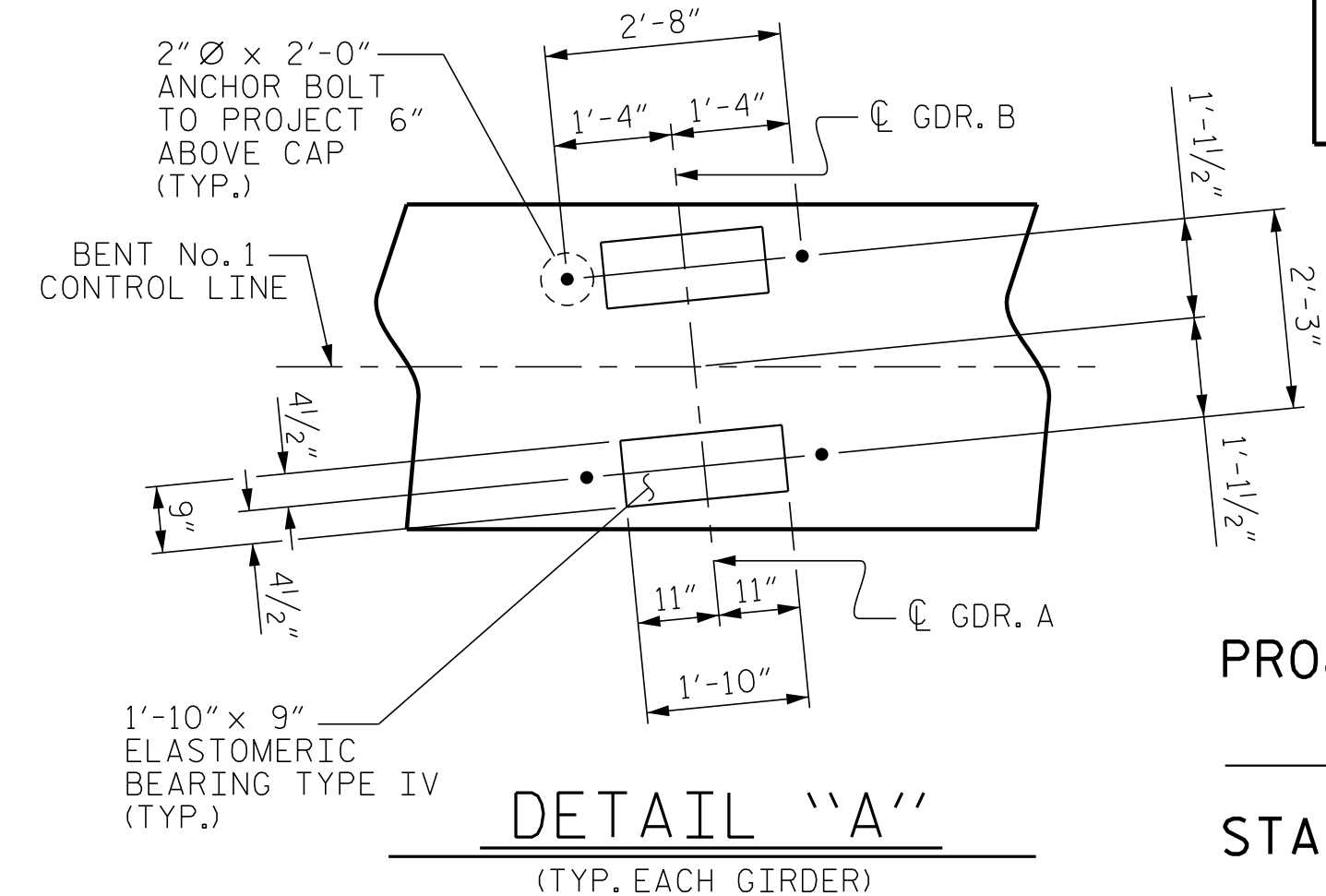
ALL BAR DIMENSIONS ARE OUT TO OUT.
** THE SP-1 SPIRAL REINFORCING STEEL SHALL BE W20 OR D-20 COLD DRAWN WIRE OR #4 PLAIN OR DEFORMED BAR.

BILL OF MATERIAL					
BENT No. 1					
BAR	NO.	SIZE	TYPE	LENGTH	WEIGHT
B1	6	#11	STR	51'-5"	1639
B2	6	#11	1	54'-5"	1735
B3	12	#4	STR	17'-6"	140
B4	8	#5	STR	51'-5"	429
M1	30	#9	2	8'-4"	850
S1	24	#5	4	13'-6"	338
S2	124	#5	4	12'-9"	1649
T1	24	#6	STR	5'-6"	198
T2	24	#6	STR	7'-6"	270
T3	24	#6	1	6'-10"	246
T4	42	#7	1	9'-2"	787
U1	57	#4	3	6'-4"	241
U2	8	#4	3	6'-2"	33
U3	6	#4	3	7'-5"	30
V1	30	#9	2	19'-5"	1981
REINFORCING STEEL					10,566 LBS.
SP-1	3	**	5	577'-7"	1157
SPIRAL COLUMN REINFORCING STEEL					1,157 LBS.
CLASS A CONCRETE BREAKDOWN					
POUR #1 FOOTINGS					18.7 C.Y.
POUR #2 COLUMNS					13.0 C.Y.
POUR #3 CAP					36.7 C.Y.
TOTAL CLASS A CONCRETE					68.4 C.Y.
HP 14 X 73 STEEL PILES					
NO: 18					LIN. FT. = 1,260
PILE REDRIVES					18 EA.
FOUNDATION EXCAVATION					LUMP SUM
PILE DRIVING EQUIPMENT SETUP FOR HP 14 X 73 STEEL PILES					18 EA.



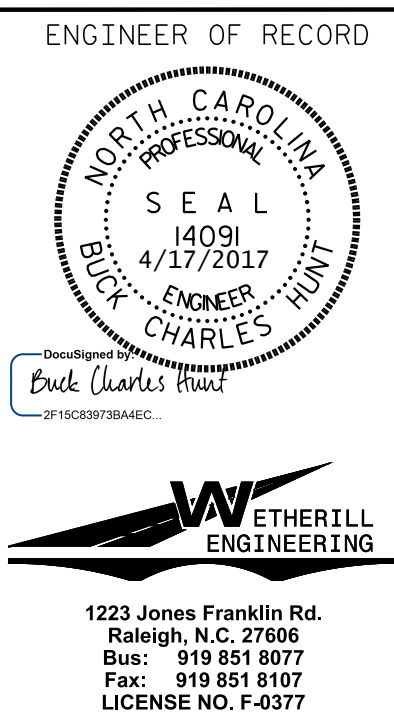
PLAN OF FOOTINGS AND COLUMNS

PILE PLACEMENT, REINFORCING STEEL, DIMENSIONS AND DETAILS ARE TYPICAL FOR EACH COLUMN AND FOOTING.



DETAIL "A"
(TYP. EACH GIRDER)

PROJECT NO. U-5796
WAYNE COUNTY
STATION: 27+41.30 -Y8-
SHEET 2 OF 2



REVISIONS					
NO.	BY:	DATE:	NO.	BY:	DATE:
1			3		
2			4		

SHEET NO. S01-27
TOTAL SHEETS 34

DOCUMENT NOT CONSIDERED FINAL UNLESS ALL SIGNATURES COMPLETED

P:\2015\U-5796\Structures\DG\U5796_BT_WE I.dgn 4/17/2017 10:06:28 AM

DRAWN BY: D. HODGE DATE: 2/16
CHECKED BY: G.M. GILLAND DATE: 4/16

1223 Jones Franklin Rd.
Raleigh, N.C. 27606
Bus: 919 851 8077
Fax: 919 851 8107
LICENSE NO. F-0377