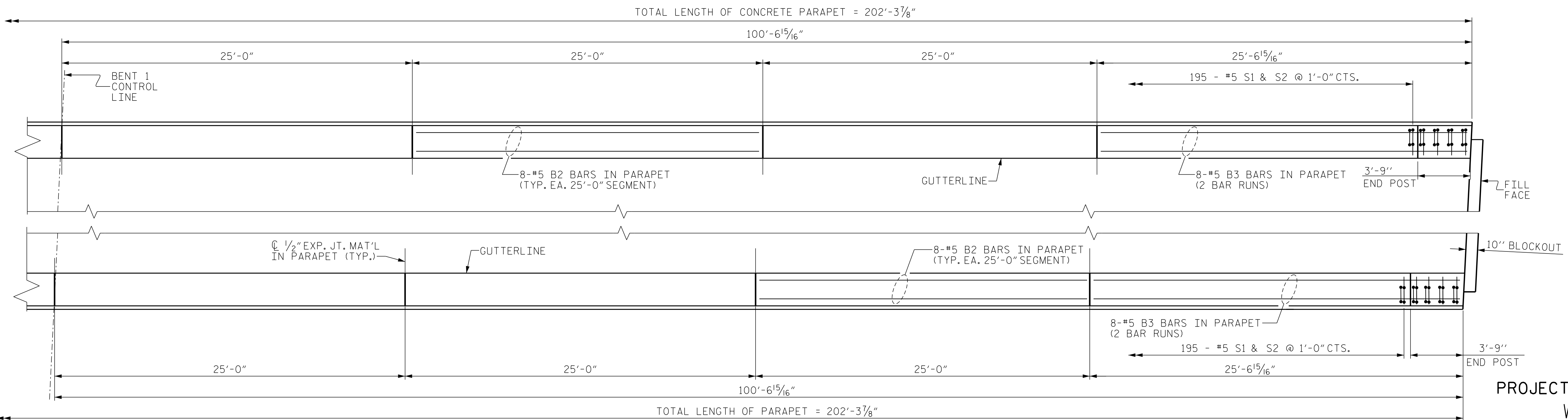
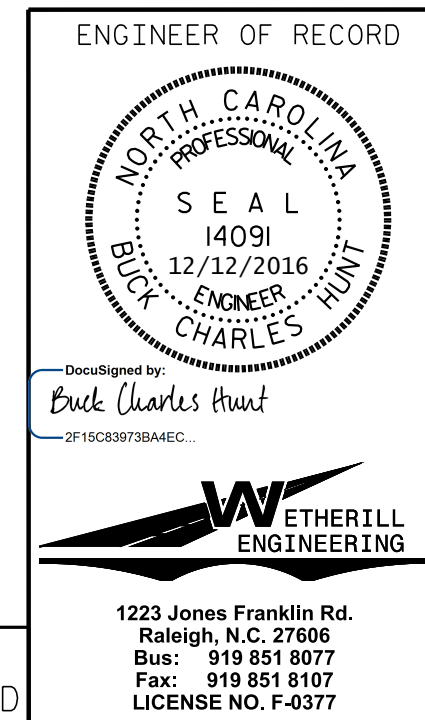


PLAN OF SPAN "A"



PLAN OF SPAN "B"

PROJECT NO. U-5796
WAYNE COUNTY
 STATION: 27+41.30 -Y8-
 SHEET 1 OF 2



STATE OF NORTH CAROLINA DEPARTMENT OF TRANSPORTATION RALEIGH					
SUPERSTRUCTURE CONCRETE PARAPET					
REVISIONS					
NO.	BY:	DATE:	NO.	BY:	DATE:
1			3		
2			4		
SHEET NO. S01-15					TOTAL SHEETS 34

DRAWN BY : J. PENDERGRAFT DATE : 10-15
 CHECKED BY : J. DILWORTH DATE : 10-15

DOCUMENT NOT CONSIDERED FINAL
 UNLESS ALL SIGNATURES COMPLETED

P:\2015\U-5796 Structures\DGN\U5796-PARA.WE I.dgn
 12/7/2016 10:57:31 AM