

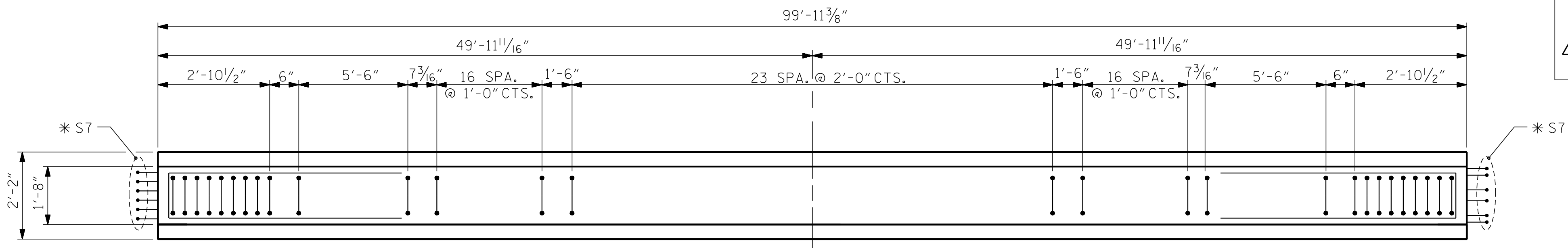
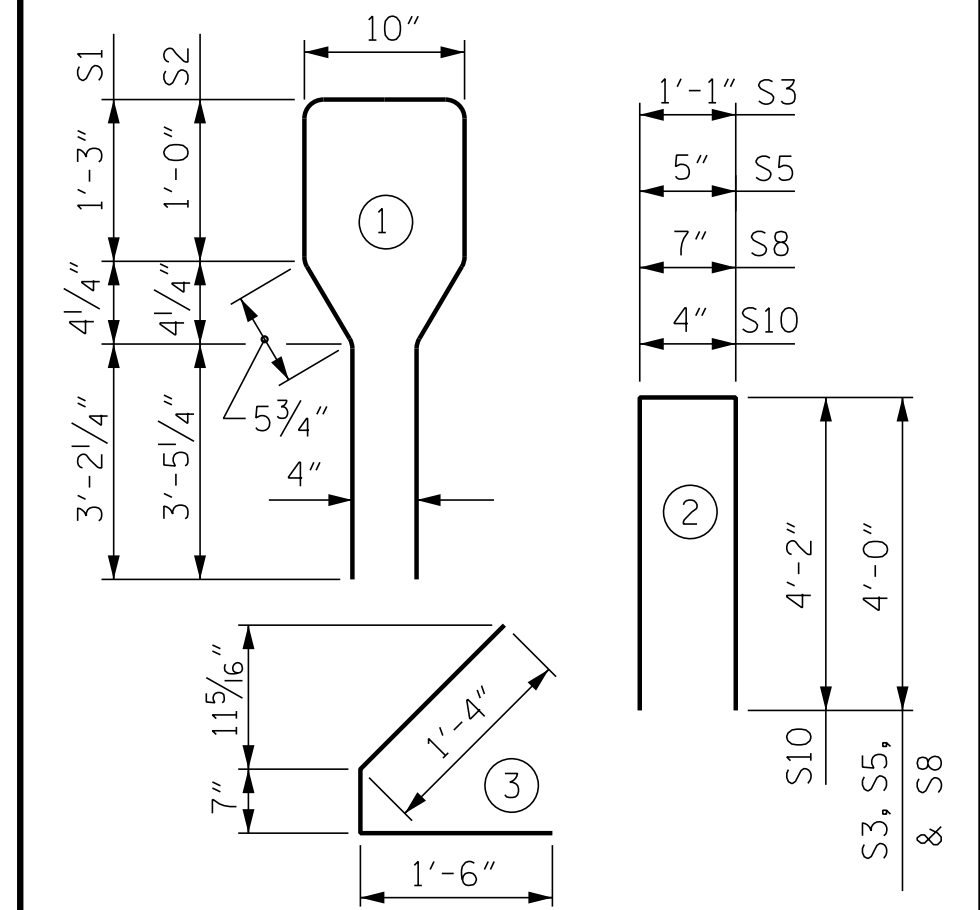
0.6" Ø L. R. GRADE 270 STRANDS		
AREA (SQUARE INCHES)	ULTIMATE STRENGTH (LBS. PER STRAND)	APPLIED PRESTRESS (LBS. PER STRAND)
0.217	58,600	43,950

REINFORCING STEEL FOR ONE GIRDER					
BAR	NUMBER	SIZE	TYPE	LENGTH	WEIGHT
S1	82	#4	1	10'-8"	584
S2	18	#6	1	10'-8"	288
S3	4	#4	2	9'-1"	24
S4	84	#4	3	3'-5"	192
S5	6	#4	2	8'-5"	34
*S7	18	#5	STR	3'-8"	69
S8	4	#4	2	8'-7"	23
S9	2	#3	STR	1'-10"	1
S10	2	#5	2	8'-8"	18
S11	5	#4	STR	7'-0"	23
S13	1	#3	STR	1'-4"	1

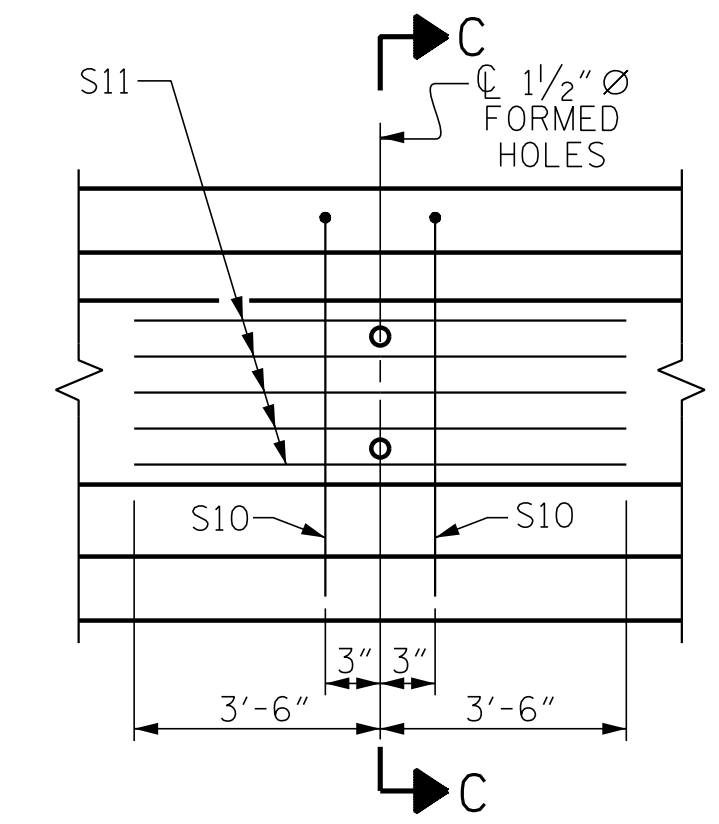
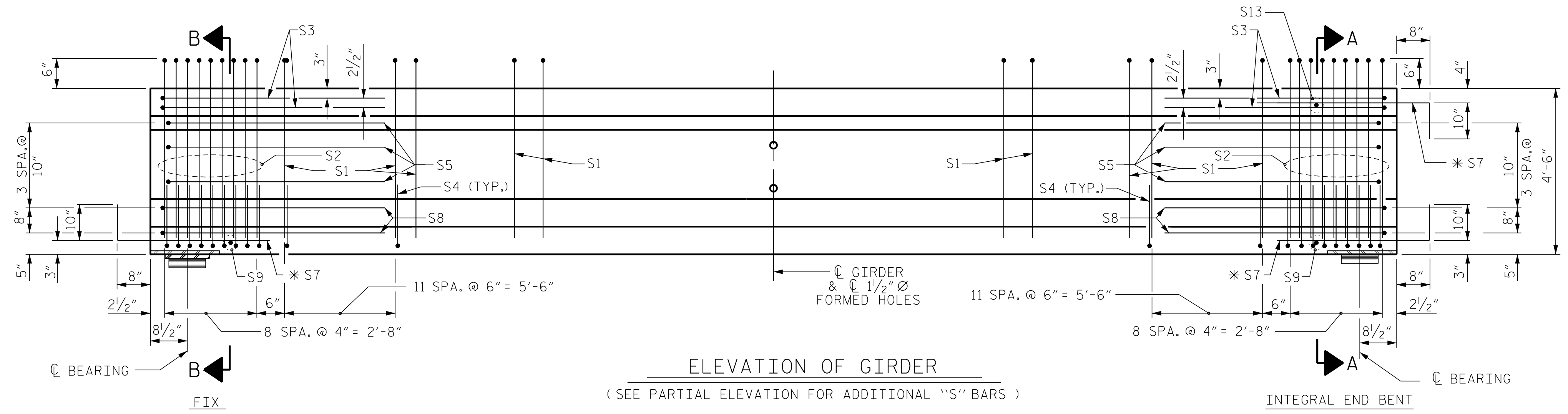
\* NOTE: S7 BARS SHALL BE BENT BEFORE SHIPMENT. HEAT BENDING SHALL NOT BE ALLOWED.

**BAR TYPES**

ALL BAR DIMENSIONS ARE OUT-TO-OUT

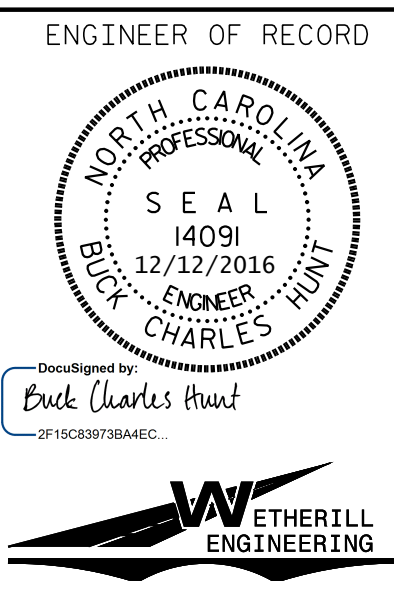


● FULLY BONDED STRANDS  
 ▲ DENOTES STRAND TO BE DEBONDED FOR 12'-0" FROM END OF GIRDER



QUANTITIES FOR ONE GIRDER			
SPAN "B"	REINFORCING STEEL	9000 PSI CONCRETE	0.6" Ø L. R. STRANDS
	LB.	C.Y.	No.
SPAN "B"	1257	20.3	44
GIRDERS REQUIRED			
NUMBER	LENGTH	TOTAL LENGTH	
6	99'-11 3/8"	599.69'	

PROJECT NO. U-5796  
 WAYNE COUNTY  
 STATION: 27+41.30 -Y8-  
 SHEET 2 OF 3



STATE OF NORTH CAROLINA  
 DEPARTMENT OF TRANSPORTATION  
 RALEIGH  
 STANDARD  
 AASHTO TYPE IV  
 PRESTRESSED CONCRETE GIRDER  
 CONTINUOUS FOR LIVE LOAD  
 SPAN "B"

REVISIONS					
NO.	BY:	DATE:	NO.	BY:	DATE:
1			3		
2			4		

ASSEMBLED BY : J. PENDERGRAFT DATE : 11-15  
 CHECKED BY : J. DILWORTH DATE : 11-15  
 DRAWN BY : ELR 8/91 REV. 5/1/06R TLA/GM  
 CHECKED BY : GRP 8/91 REV. 10/1/11 MAA/GM  
 REV. 1/15 MAA/TMG

DOCUMENT NOT CONSIDERED FINAL  
 UNLESS ALL SIGNATURES COMPLETED

1223 Jones Franklin Rd.  
 Raleigh, N.C. 27606  
 Bus: 919 851 8077  
 Fax: 919 851 8107  
 LICENSE NO. F-0377