

PLAN @ END BENT #1  
 PLAN @ END BENT #2  
 DIMENSIONS SHOWN ARE TYPICAL FOR BOTH APPROACH SLABS

NOTES

APPROACH SLAB SHALL NOT BE CONSTRUCTED PRIOR TO COMPLETION OF THE BRIDGE DECK.

AREA BETWEEN THE WINGWALL AND APPROACH SLAB SHALL BE GRADED TO DRAIN THE WATER AWAY FROM THE FILL FACE OF THE BRIDGE AND SHALL BE PAVED. SEE ROADWAY PLANS.

THE JOINT OPENING AT THE APPROACH SLAB/DECK INTERFACE SHALL BE SAWED NO MORE THAN 12 HOURS AFTER THE APPROACH SLAB IS CAST. THE JOINT SHALL BE CLEANED OF ALL DEBRIS BEFORE THE SEALANT IS APPLIED. THE JOINT SEALER MATERIAL SHALL CONFORM TO THE REQUIREMENTS OF SECTION 1028-3 OF THE STANDARD SPECIFICATIONS.

FOR BRIDGE APPROACH FILL INCLUDING GEOTEXTILE, 4" Ø DRAINAGE PIPE, AND #78M STONE BACKFILL, SEE ROADWAY PLANS.

GEOTEXTILE SHALL BE TYPE 1 IN ACCORDANCE WITH THE STANDARD SPECIFICATIONS SECTION 1056.

#78M STONE BACKFILL (CLASS V SELECT MATERIAL) SHALL BE IN ACCORDANCE WITH STANDARD SPECIFICATIONS SECTION 1016.

#78M STONE BACKFILL IS TO BE CONTINUOUS ALONG FILL FACE OF BACKWALL FROM OUTSIDE EDGE TO OUTSIDE EDGE OF APPROACH SLAB.

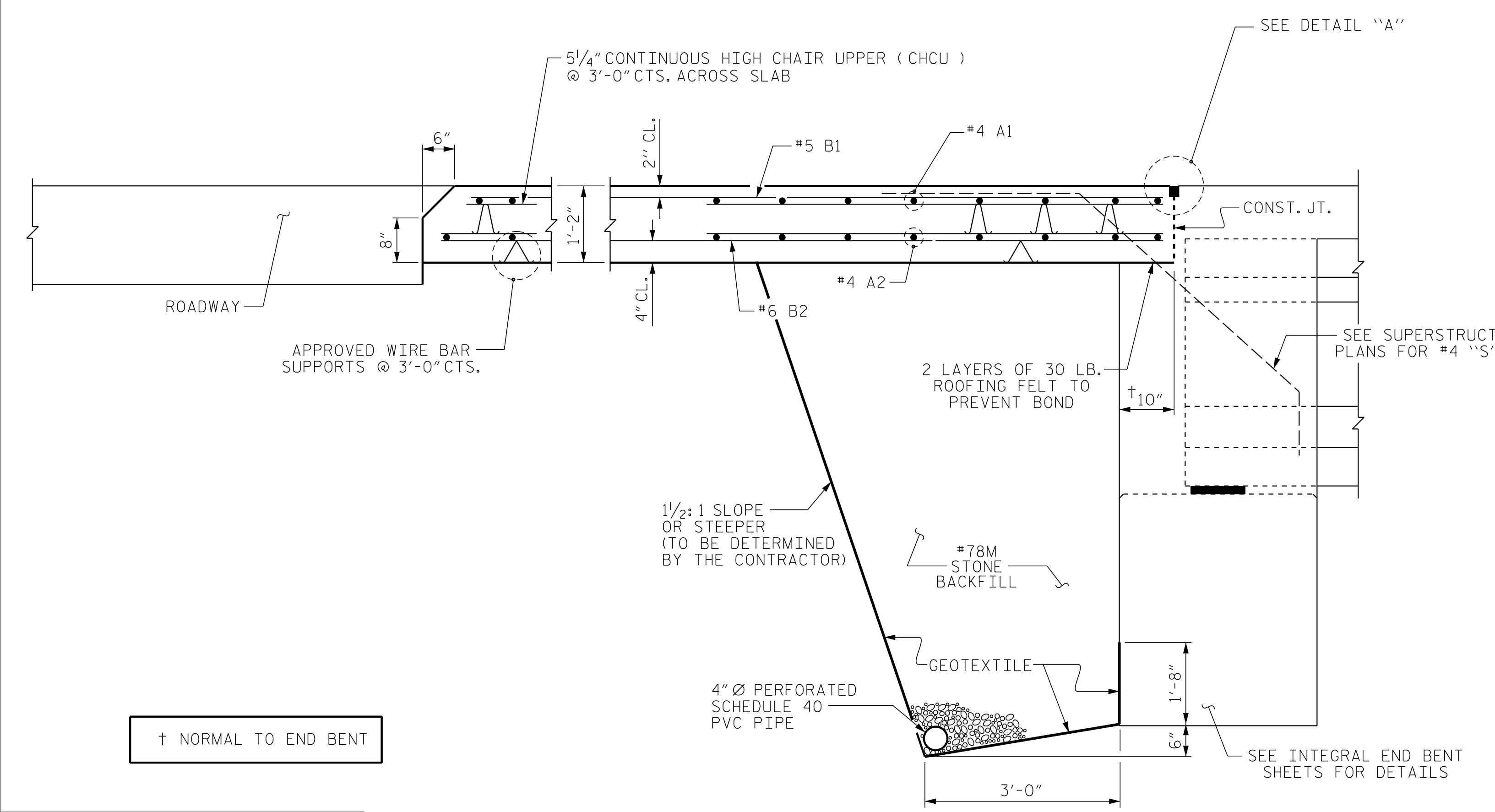
FOR THE 4" Ø DRAINAGE PIPE OUTLET(S), SEE ROADWAY STANDARD DRAWINGS.

BILL OF MATERIAL  
 FOR ONE APPROACH SLAB  
 (2 REQ'D)

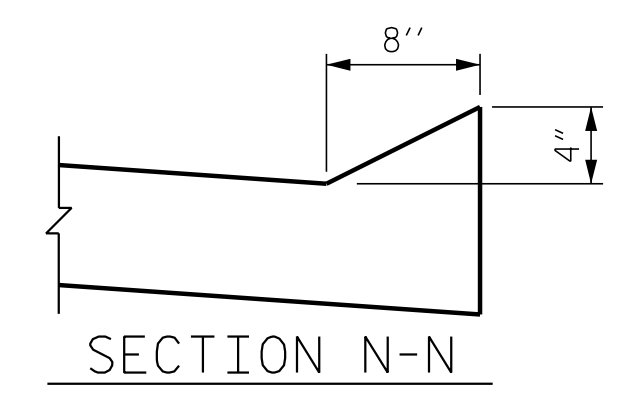
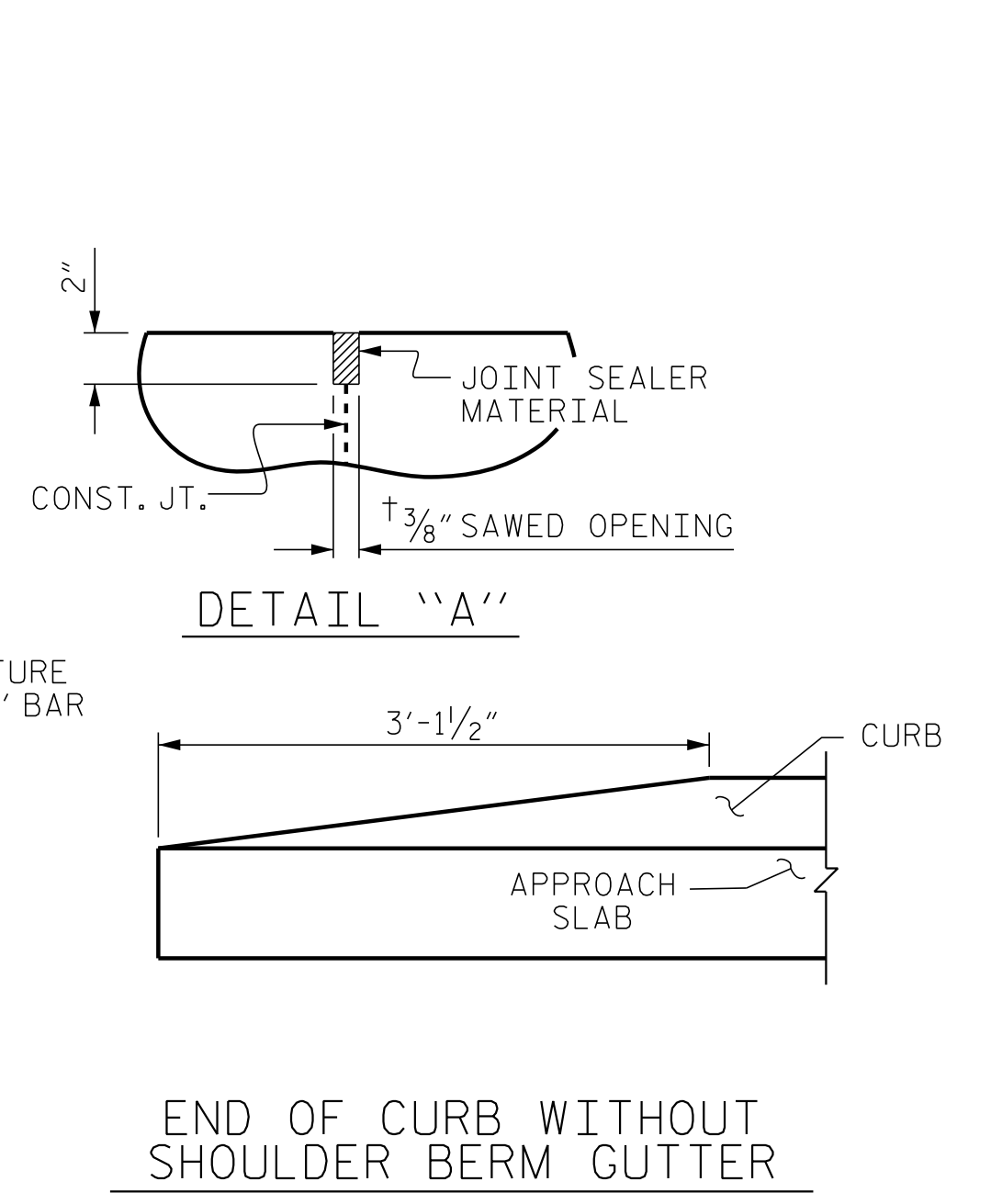
BAR	NO.	SIZE	TYPE	LENGTH	WEIGHT
* A1	52	#4	STR	22'-7"	784
A2	52	#4	STR	22'-5"	779
* B1	82	#5	STR	24'-2"	2067
B2	82	#6	STR	24'-8"	3038
REINFORCING STEEL					LBS. 3817
* EPOXY COATED REINFORCING STEEL					LBS. 2851
CLASS AA CONCRETE					C. Y. 44.7

SPLICE LENGTHS

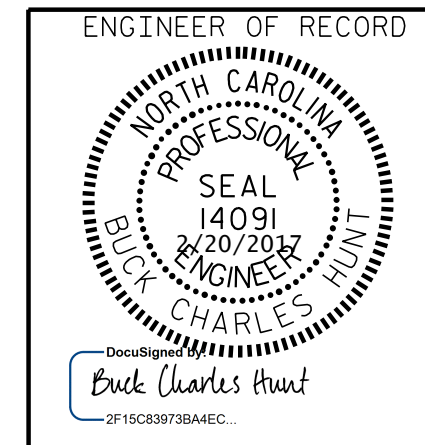
BAR SIZE	EPOXY COATED	UNCOATED
#4	2'-0"	1'-9"
#5	2'-6"	2'-2"
#6	3'-10"	2'-7"



SECTION THRU SLAB



PROJECT NO. R-5719  
 WAYNE COUNTY  
 STATION: 39+11.12 -L-  
 SHEET 1 OF 2



1223 Jones Franklin Rd.  
 Raleigh, N.C. 27606  
 Bus: 919 851 8077  
 Fax: 919 851 8107  
 LICENSE NO. F-0377

STATE OF NORTH CAROLINA  
 DEPARTMENT OF TRANSPORTATION  
 RALEIGH  
 STANDARD  
 BRIDGE APPROACH SLAB  
 FOR INTEGRAL ABUTMENT  
 RIGHT LANE

REVISIONS

NO.	BY:	DATE:	NO.	BY:	DATE:
1			3		
2			4		

SHEET NO. S02-25  
 TOTAL SHEETS 26

DOCUMENT NOT CONSIDERED FINAL  
 UNLESS ALL SIGNATURES COMPLETED

P:\2015\A-5719\Structures\DWG\Right Lane\A-5719\_RT\_AS\_WE\_I.dgn  
 2/20/2017 8:23:01 AM

ASSEMBLED BY: B.C. HUNT DATE: 10-6-15  
 CHECKED BY: G.M. GILLAND DATE: 10-7-15  
 DRAWN BY: TLA 10/05 MAA/GM  
 CHECKED BY: GM 5/06 REV. 10/11 MAA/GM  
 REV. 12/21/11 MAA/GM  
 REV. 6/13 MAA/GM