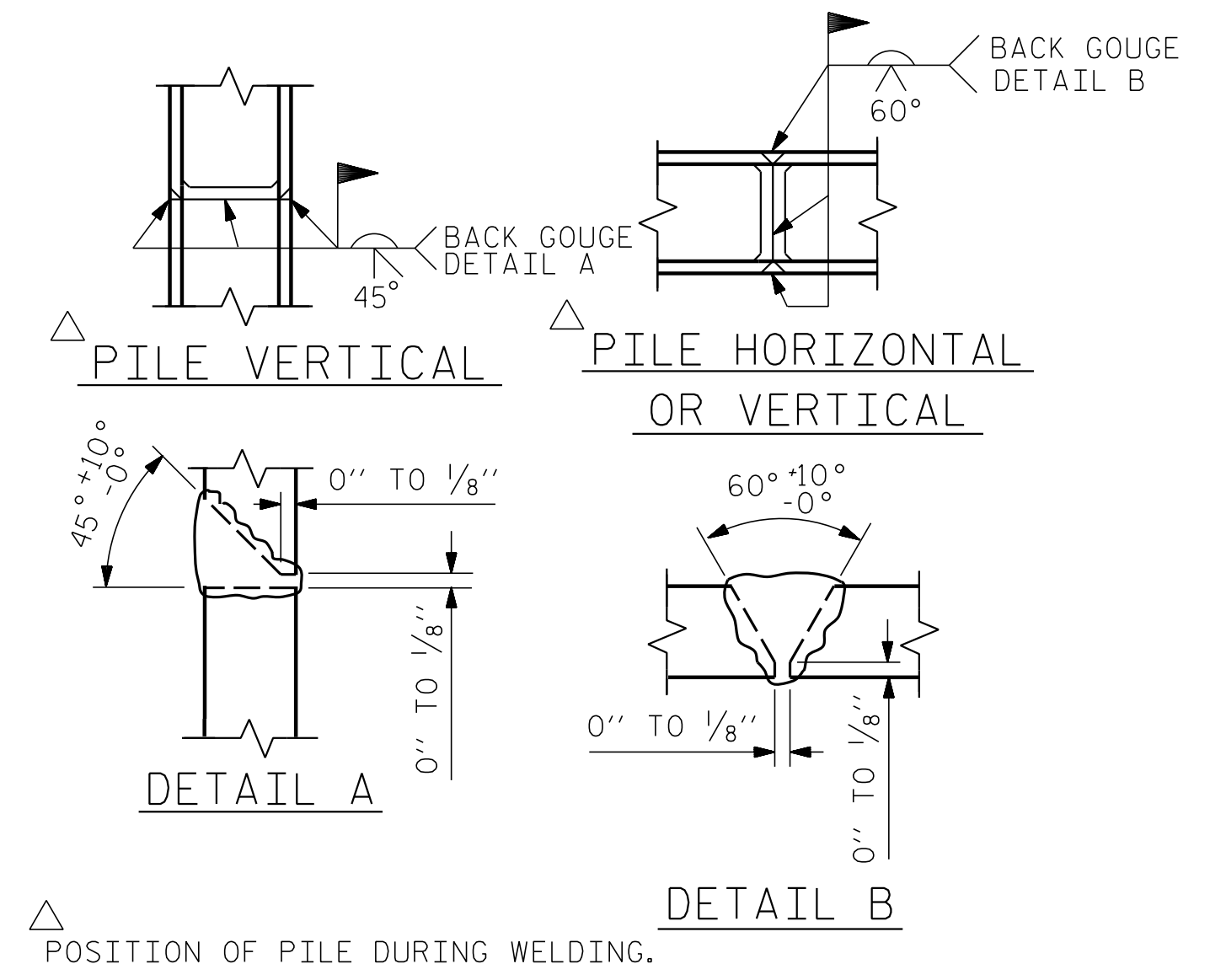


BAGGED STONE AND PIPE SHALL BE PLACED IMMEDIATELY AFTER COMPLETION OF END BENT EXCAVATION. PIPE MAY BE EITHER CONCRETE, CORRUGATED STEEL, CORRUGATED ALUMINUM ALLOY, OR CORRUGATED PLASTIC. PERFORATED PIPE WILL NOT BE ALLOWED.

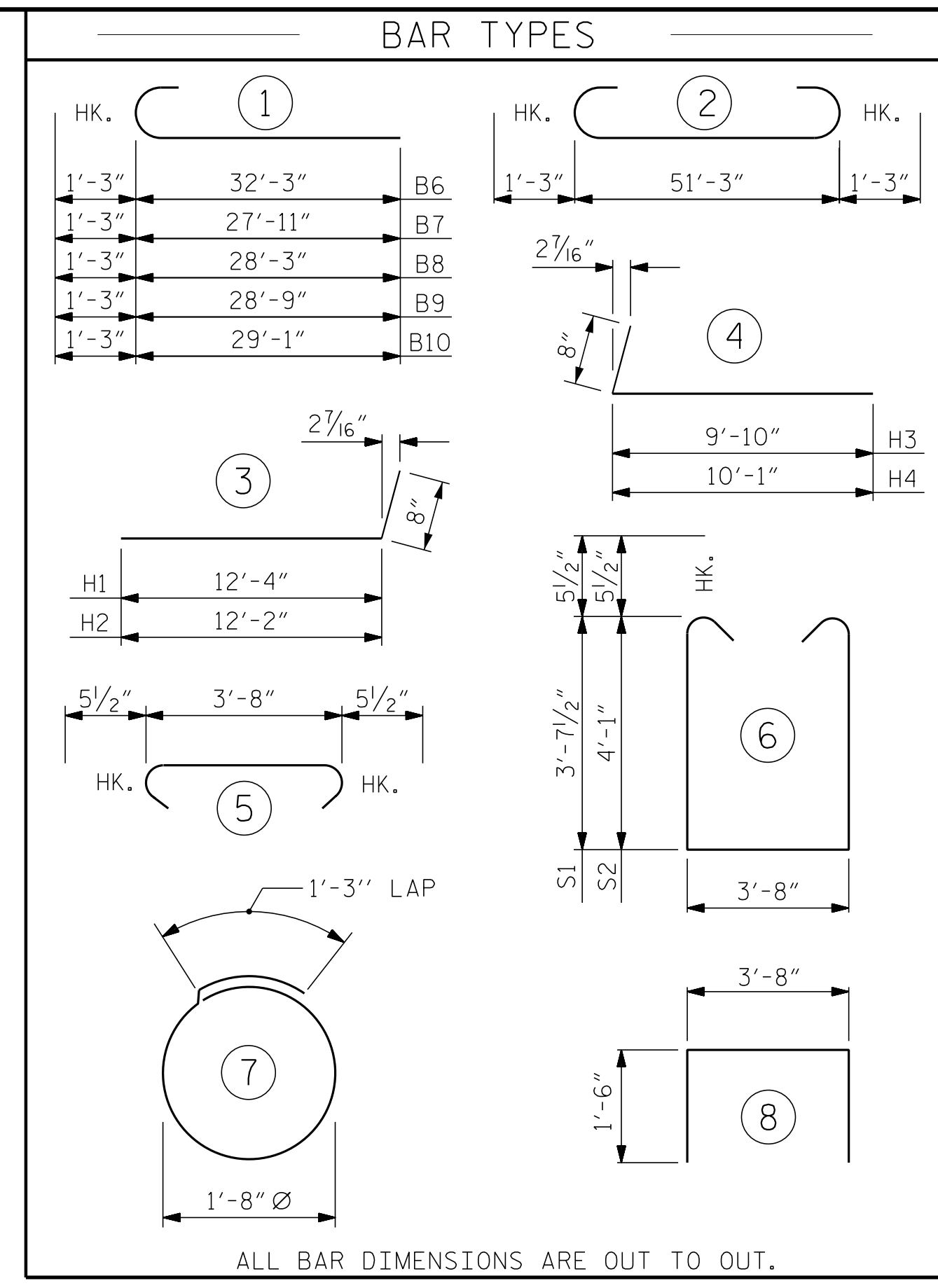
BAGGED STONE SHALL REMAIN IN PLACE UNTIL THE ENGINEER DIRECTS THAT IT BE REMOVED. THE CONTRACTOR SHALL REMOVE AND DISPOSE OF SILT ACCUMULATIONS AT BAGGED STONE WHEN SO DIRECTED BY THE ENGINEER. BAGS SHALL BE REMOVED AND REPLACED WHENEVER THE ENGINEER DETERMINES THAT THEY HAVE DETERIORATED AND LOST THEIR EFFECTIVENESS.

NO SEPARATE PAYMENT WILL BE MADE FOR THIS WORK AND THE ENTIRE COST OF THIS WORK SHALL BE INCLUDED IN THE UNIT CONTRACT PRICE BID FOR THE SEVERAL PAY ITEMS.

TEMPORARY DRAINAGE AT END BENT



PILE SPLICE DETAILS



ALL BAR DIMENSIONS ARE OUT TO OUT.

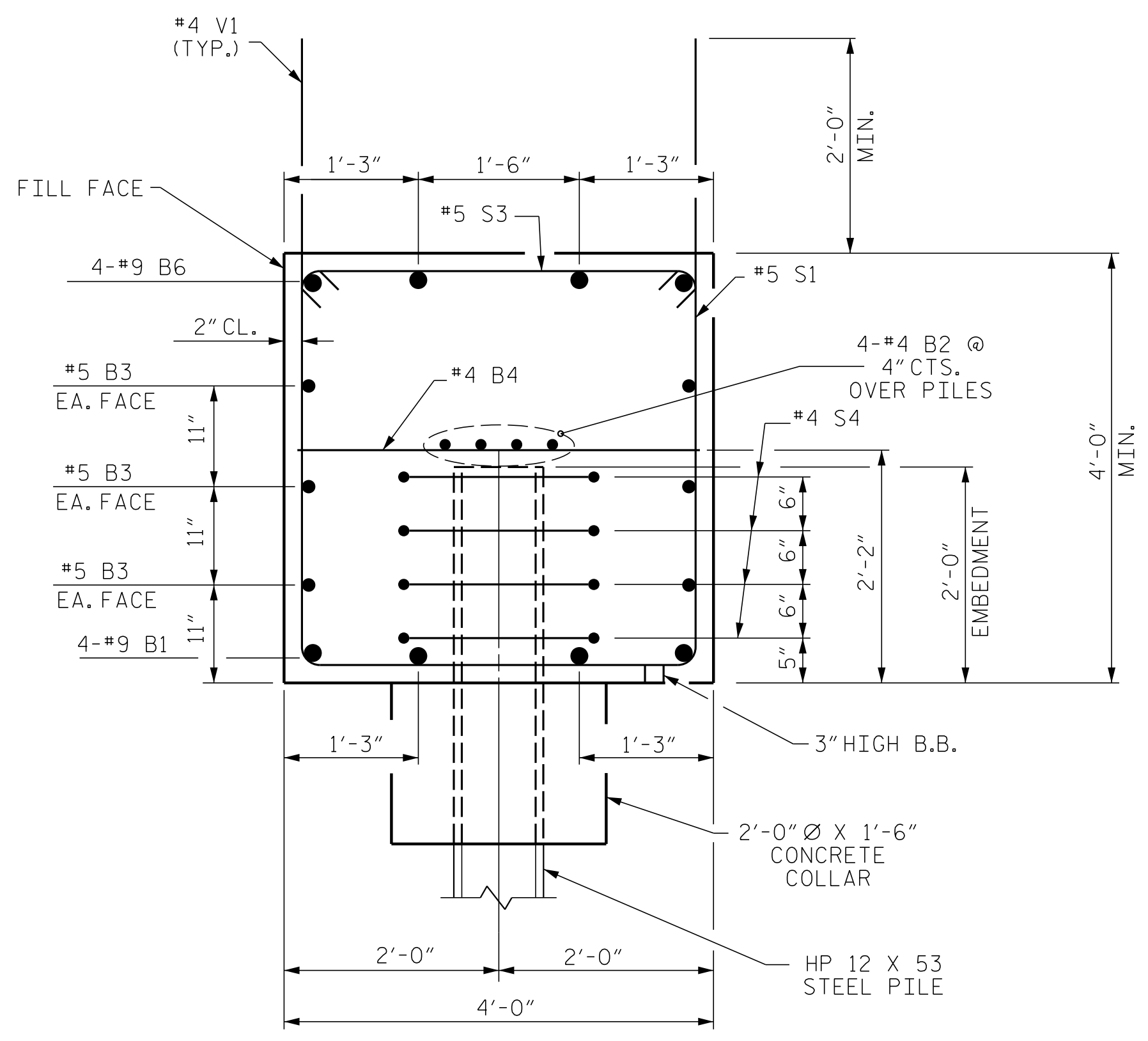
BILL OF MATERIAL					
END BENT No. 2					
BAR NO.	NO.	SIZE	TYPE	LENGTH	WEIGHT
B1	4	#9	2	53'-9"	731
B2	8	#4	STR	27'-0"	144
B3	6	#5	STR	51'-5"	322
B4	15	#4	STR	3'-8"	37
B5	2	#5	STR	22'-4"	47
B6	4	#9	1	33'-6"	456
B7	1	#9	1	29'-2"	99
B8	1	#9	1	29'-6"	100
B9	1	#9	1	30'-0"	102
B10	1	#9	1	30'-4"	103
B11	1	#4	STR	9'-8"	6
B12	1	#4	STR	10'-0"	7
B13	1	#4	STR	10'-6"	7
B14	1	#4	STR	10'-10"	7
H1	23	#5	3	13'-0"	312
H2	23	#5	3	12'-10"	308
H3	21	#5	4	10'-6"	230
H4	21	#5	4	10'-9"	235
H5	52	#4	STR	3'-9"	130
S1	22	#5	6	11'-10"	272
S2	28	#5	6	12'-9"	372
S3	50	#5	5	4'-7"	239
S4	36	#4	7	6'-6"	156
U1	7	#4	8	6'-8"	31
V1	50	#4	STR	5'-9"	192
V2	34	#5	STR	11'-2"	396
V3	30	#5	STR	10'-2"	318

REINFORCING STEEL 5,359 LBS.

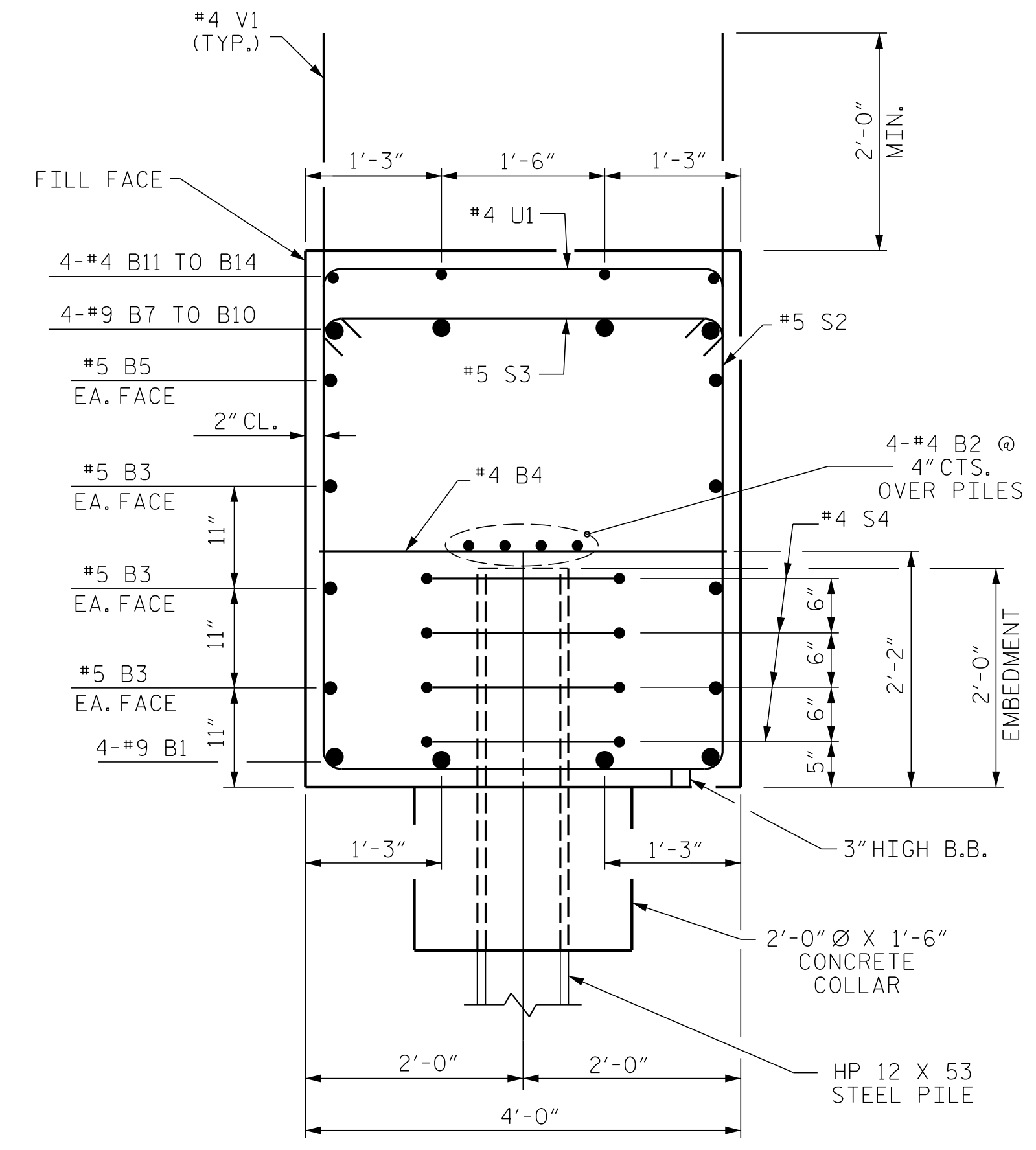
CLASS A CONCRETE BREAKDOWN	
POUR #1 CAP, CONC. COLLARS & LOWER PART OF WINGS	38.7 C.Y.
POUR #2 UPPER PART OF WINGS	7.0 C.Y.
TOTAL CLASS A CONCRETE	45.7 C.Y.

HP 12 X 53 STEEL PILES
NO: 9 LIN. FT. = 900.0

PILE DRIVING EQUIPMENT SETUP FOR HP 12 X 53 STEEL PILES
9 EA.

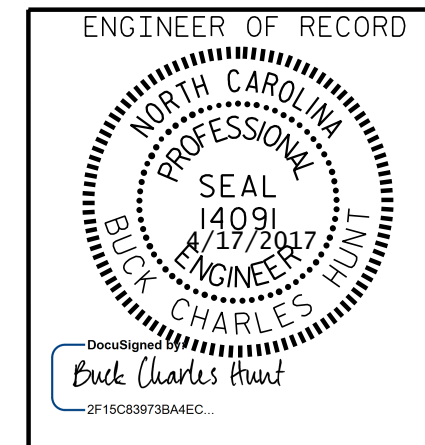


SECTION A-A



SECTION B-B

PROJECT NO. R-5719
WAYNE COUNTY
STATION: 39+11.12 -L-
SHEET 3 OF 3



STATE OF NORTH CAROLINA
DEPARTMENT OF TRANSPORTATION
RALEIGH
SUBSTRUCTURE
END BENT No. 2
(RIGHT LANE)

REVISIONS				SHEET NO.	
NO.	BY:	DATE:	NO.	BY:	DATE:
1			3		
2			4		

DRAWN BY : D. HODGE DATE : 2/16
CHECKED BY : J. DILWORTH DATE : 2/16

DOCUMENT NOT CONSIDERED FINAL
UNLESS ALL SIGNATURES COMPLETED

1223 Jones Franklin Rd.
Raleigh, N.C. 27606
Bus: 919 851 8077
Fax: 919 851 8107
LICENSE NO. F-0377

P:\2015\A-5719\Structures\DWG\Right Lane\A-5719_RT_EBT_WE I.dgn
4/17/2017 9:46:24 AM