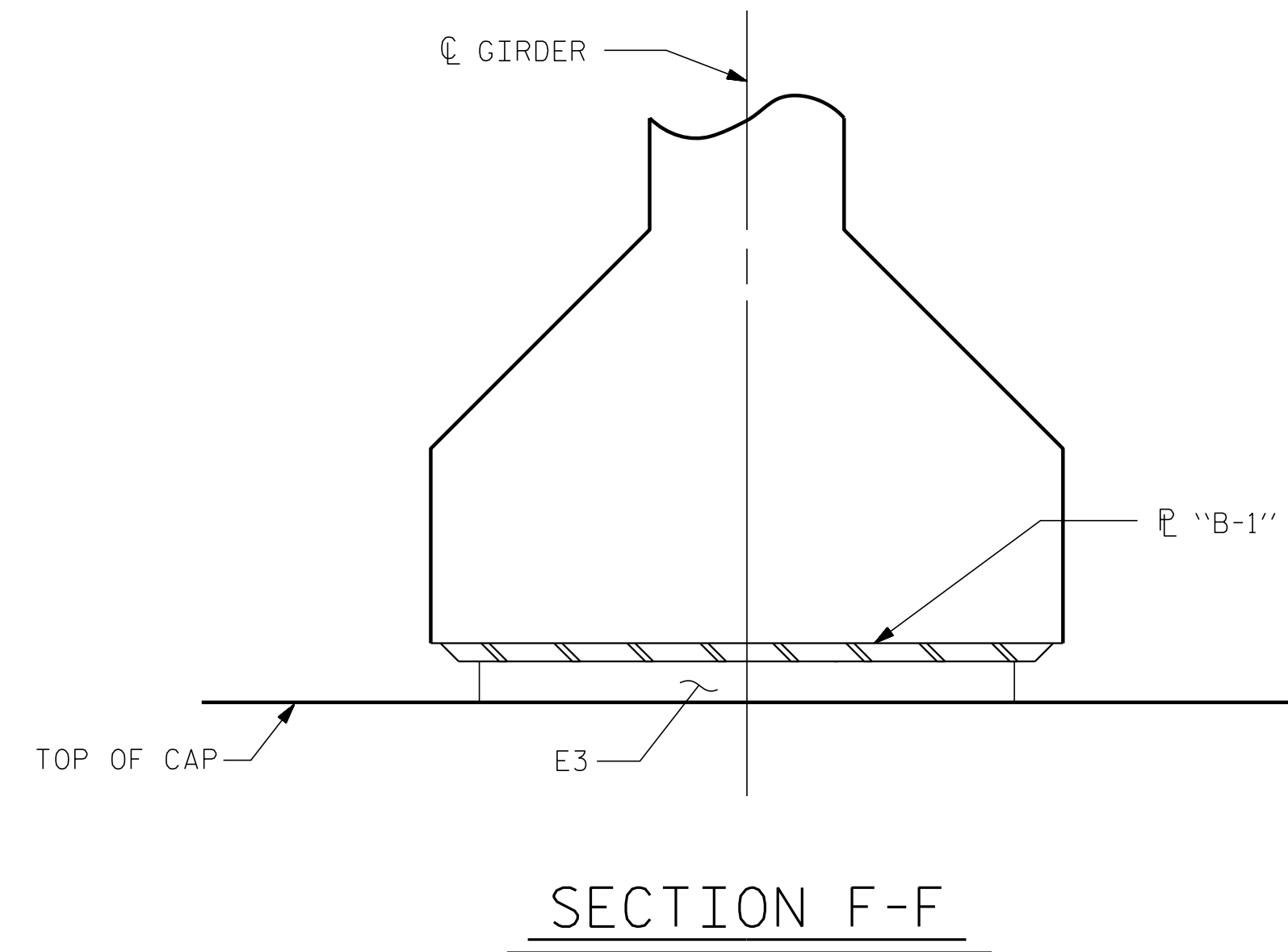
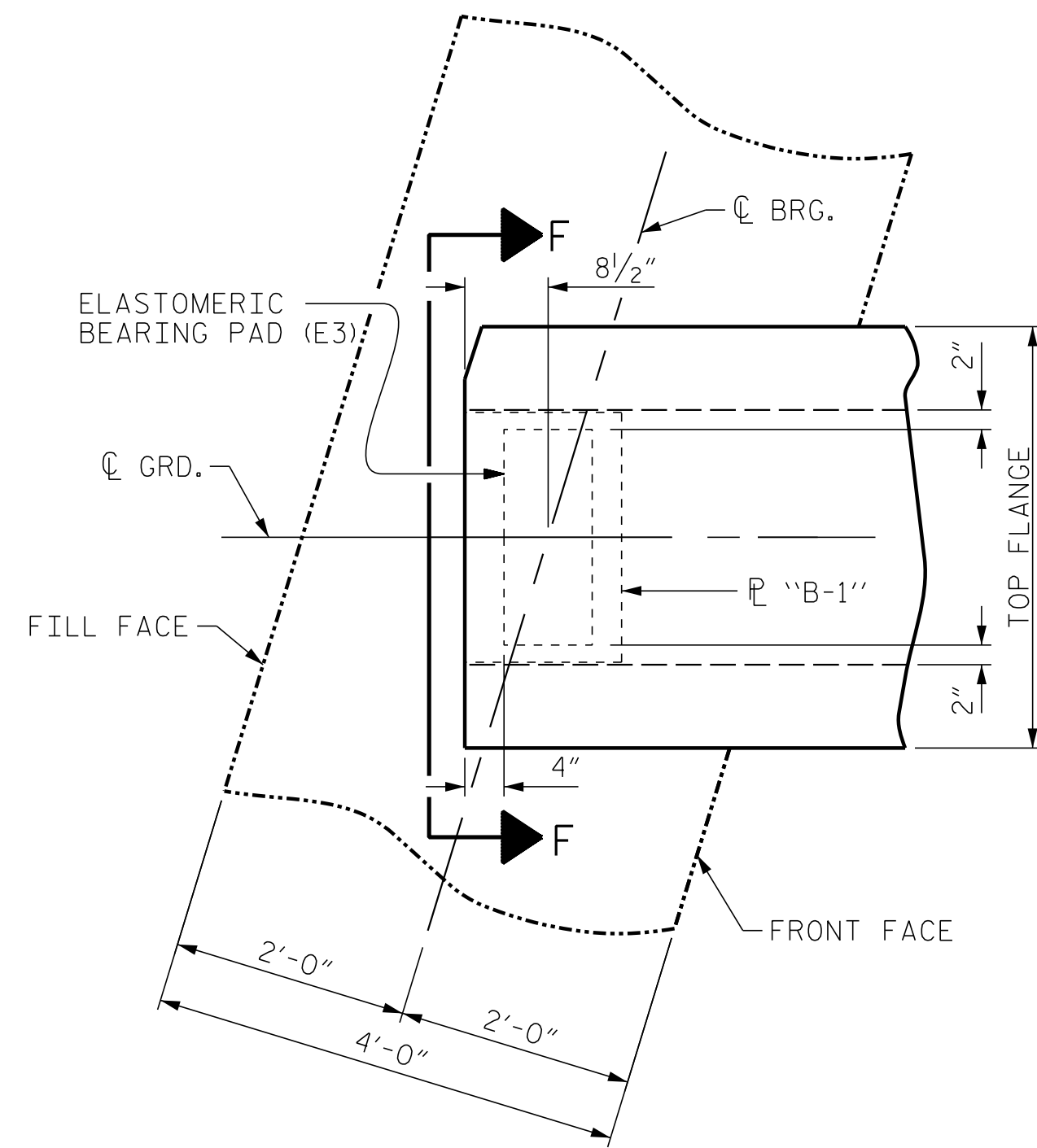


NOTES

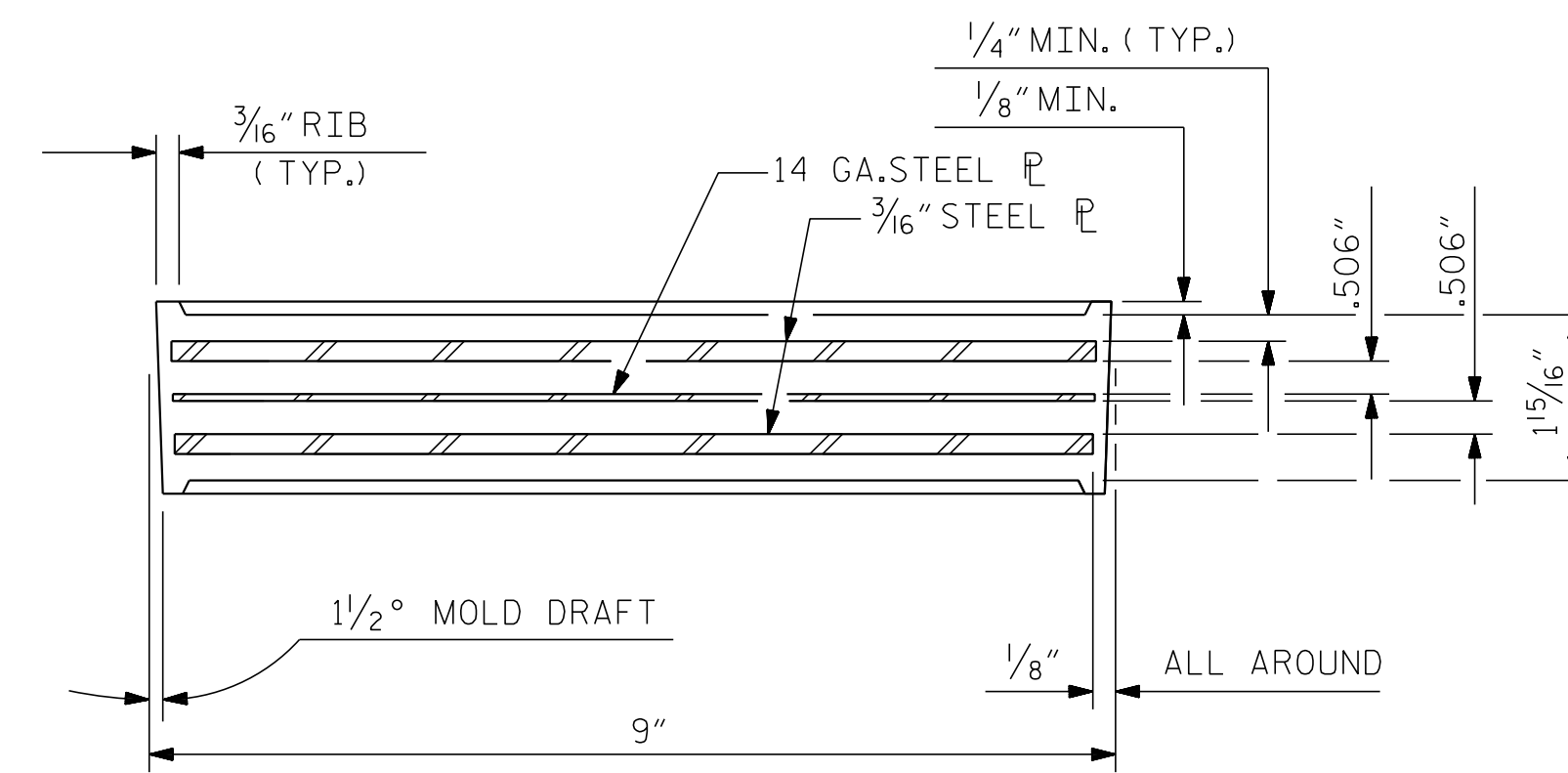
THE ELASTOMER IN THE STEEL REINFORCED BEARINGS SHALL HAVE A SHEAR MODULUS OF 0.160 KSI, IN ACCORDANCE WITH AASHTO M251.

FOR STEEL REINFORCED ELASTOMERIC BEARINGS, SEE SPECIAL PROVISIONS.

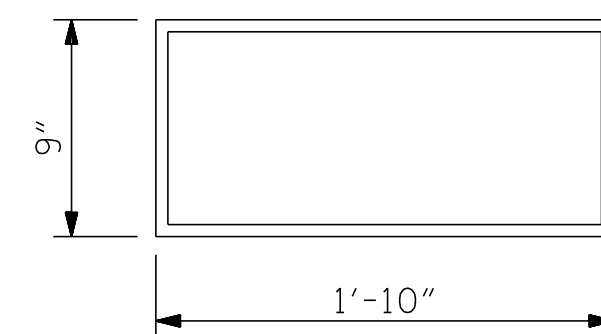
MAXIMUM ALLOWABLE SERVICE LOADS	
D.L.+L.L. (NO IMPACT)	
TYPE IV	225 k



TYPICAL PLAN GIRDER @ INTEGRAL END BENT

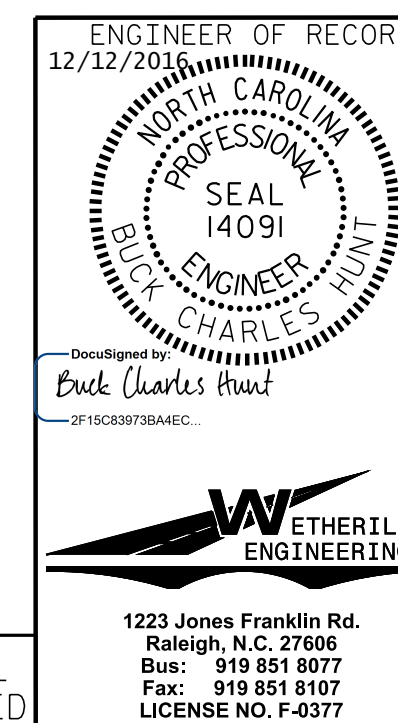


TYPICAL SECTION OF ELASTOMERIC BEARINGS



E3 (10 REQ'D)
PLAN VIEW OF ELASTOMERIC BEARING
TYPE IV

PROJECT NO. R-5719
WAYNE COUNTY
STATION: 39+11.12 -L-



STATE OF NORTH CAROLINA
DEPARTMENT OF TRANSPORTATION
RALEIGH
STANDARD
ELASTOMERIC BEARING
DETAILS
PRESTRESSED CONCRETE GIRDER
SUPERSTRUCTURE
RIGHT LANE

REVISIONS						SHEET NO.
NO.	BY:	DATE:	NO.	BY:	DATE:	TOTAL SHEETS
1			3			26
2			4			

DOCUMENT NOT CONSIDERED FINAL
UNLESS ALL SIGNATURES COMPLETED

DRAWN BY : R. ASENCIO DATE : 12/5/15
CHECKED BY : J. DILWORTH DATE : 12/8/15

P:\2015\A-5719\Structures\DWG\Right Lane\A-5719_RT_PCG_WEI.dgn
 12/6/2016 2:05:09 PM