

*FOR S7 BARS, SEE DETAIL "C" OF PRESTRESSED CONCRETE GIRDER DETAILS SHEET

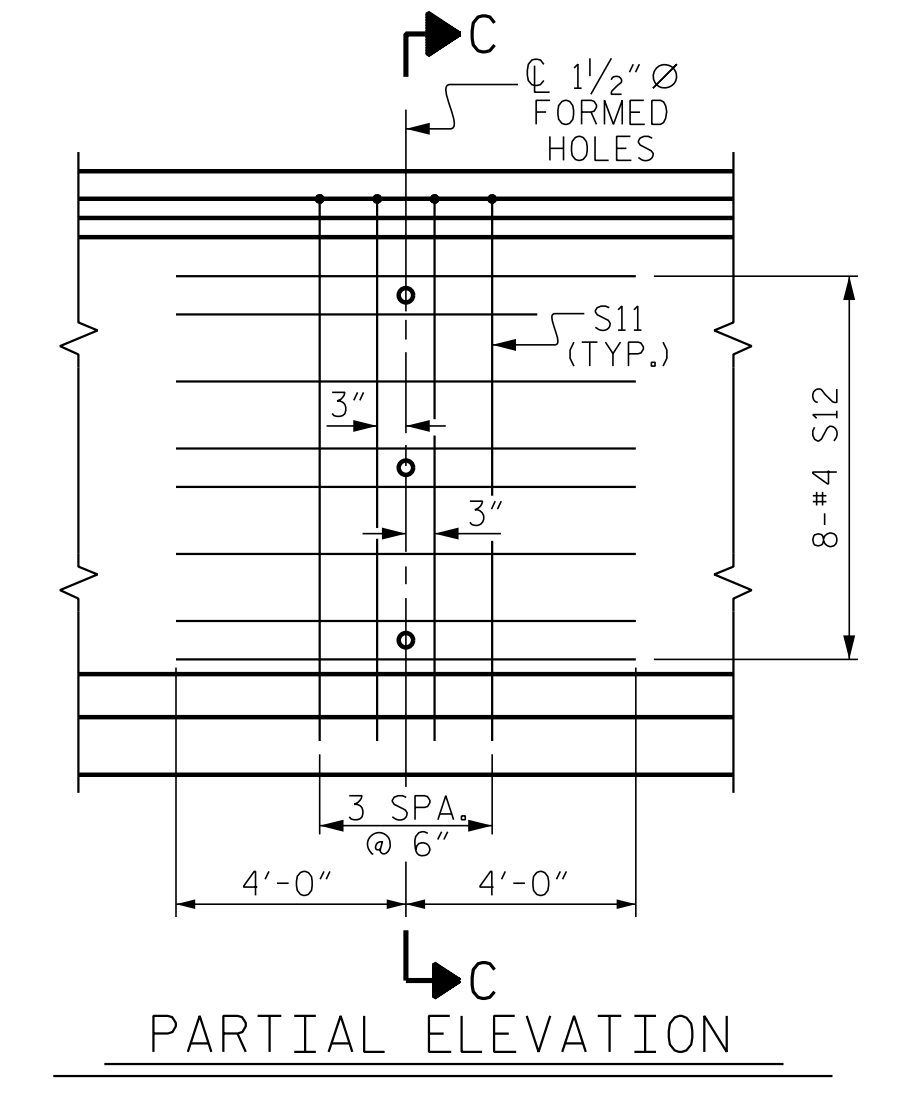
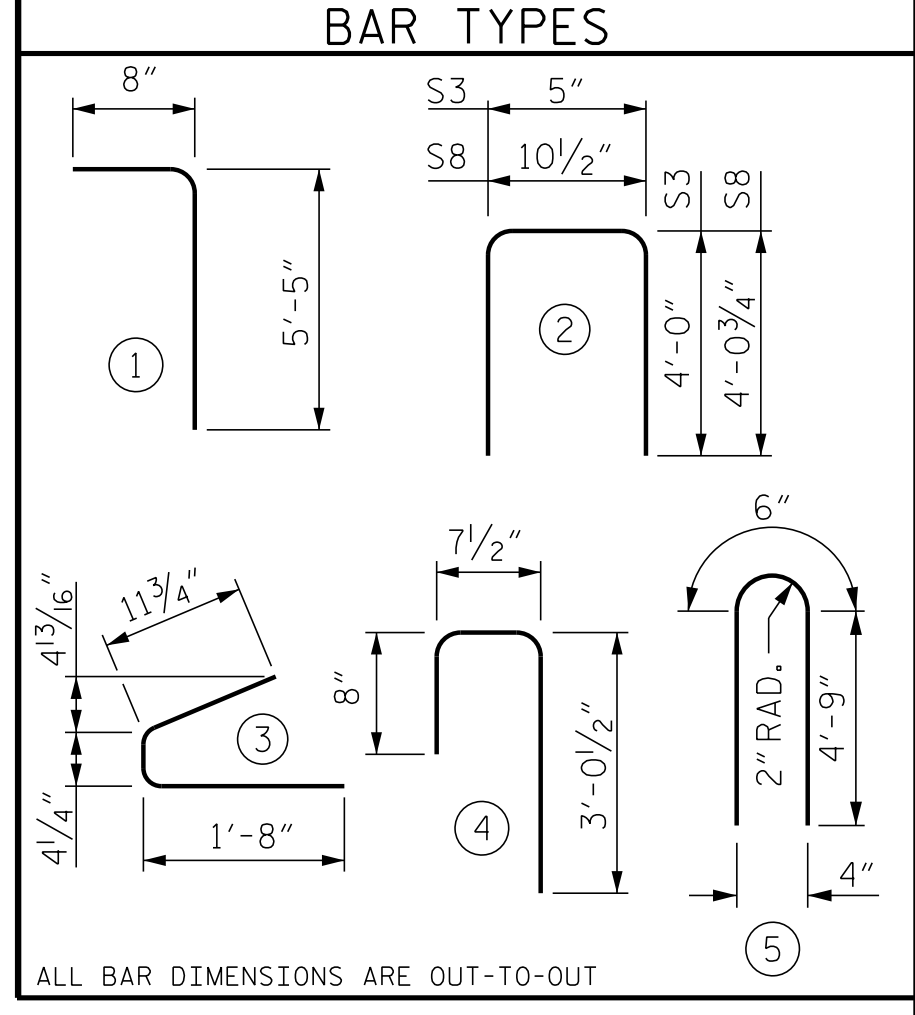
DEBONDING LEGEND

- FULLY BONDED STRANDS
- ◆ STRANDS DEBONDED FOR 10'-0" FROM END OF GIRDER

0.6" Ø L. R. GRADE 270 STRANDS		
AREA (SQUARE INCHES)	ULTIMATE STRENGTH (LBS. PER STRAND)	APPLIED PRESTRESS (LBS. PER STRAND)
0.217	58,600	43,950

REINFORCING STEEL FOR ONE GDR					
BAR	NUMBER	SIZE	TYPE	LENGTH	WEIGHT
S1	174	#4	1	6'-1"	707
S2	32	#6	1	6'-1"	292
S3	12	#4	2	8'-5"	67
S4	80	#4	3	3'-0"	160
S6	206	#5	4	4'-4"	931
*S7	40	#5	STR	3'-8"	153
S8	2	#5	2	9'-0"	19
S9	62	#5	STR	3'-3"	210
S10	2	#3	STR	1'-10"	1
S11	8	#5	5	10'-0"	83
S12	16	#4	STR	8'-0"	86

* NOTE: S7 BARS SHALL BE BENT BEFORE SHIPMENT. HEAT BENDING SHALL NOT BE ALLOWED.

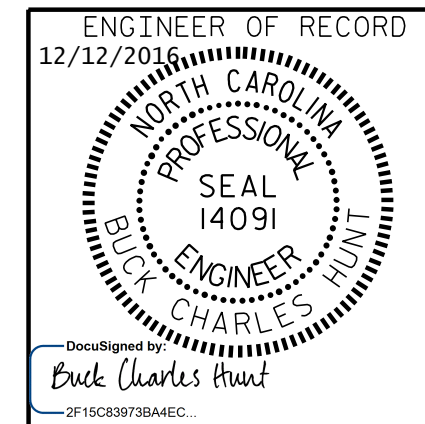
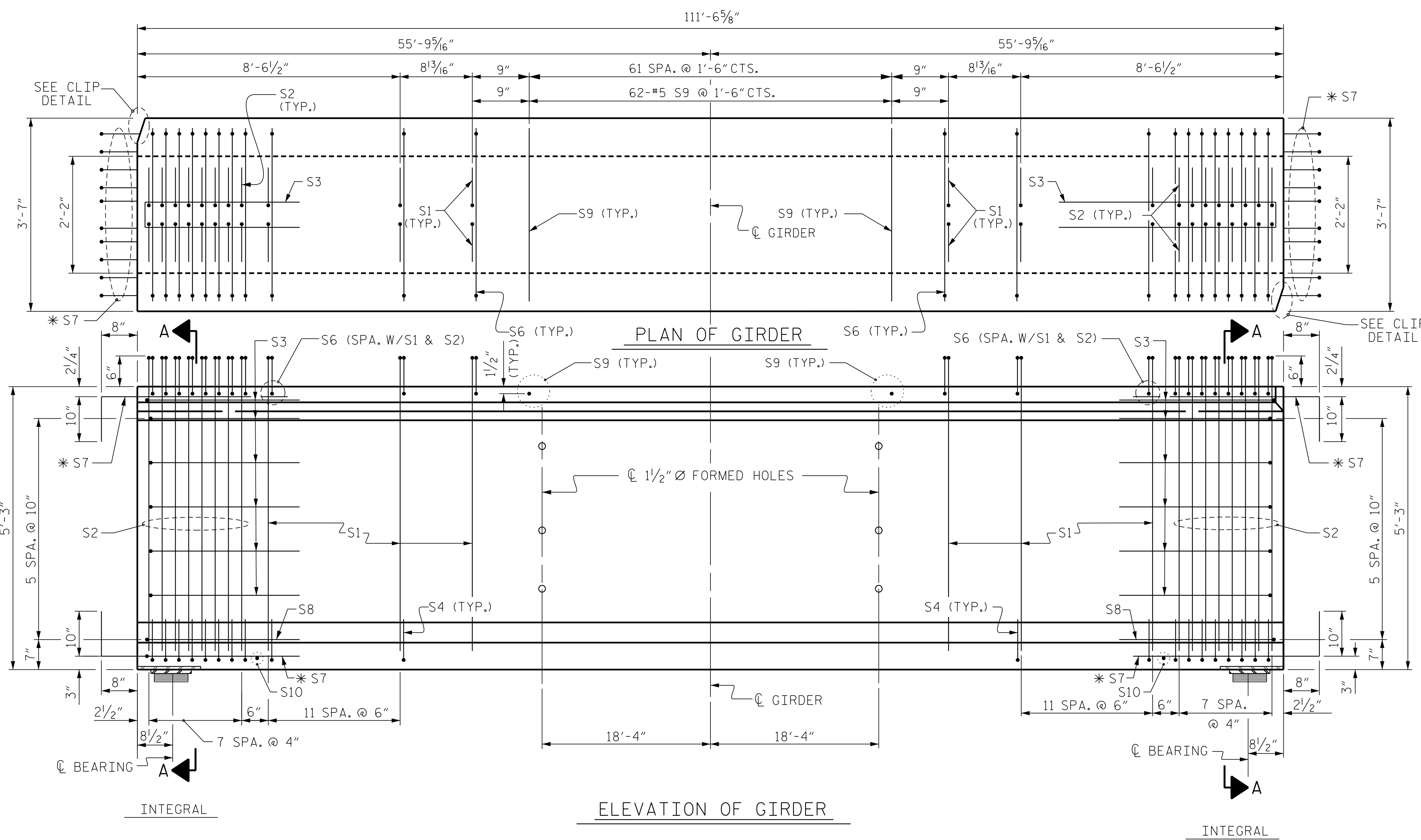


SHOWING INTERMEDIATE STEEL DIAPHRAGM REINFORCING STEEL FOR ALL GIRDERS

QUANTITIES FOR ONE GIRDER			
SPAN "A"	REINFORCING STEEL	9600 PSI CONCRETE	0.6" Ø L.R. STRANDS
	LB.	C.Y.	No.
2709	22.1	40	

GIRDERS REQUIRED		
NUMBER	LENGTH	TOTAL LENGTH
5	111'-6 5/8"	557.76'

PROJECT NO. R-5719
 WAYNE COUNTY
 STATION: 39+11.12 -L-
 SHEET 1 OF 2



1223 Jones Franklin Rd.
 Raleigh, N.C. 27606
 Bus: 919 851 8077
 Fax: 919 851 8107
 LICENSE NO. F-0377

STATE OF NORTH CAROLINA
 DEPARTMENT OF TRANSPORTATION
 RALEIGH
 63" PRESTRESSED
 CONCRETE MODIFIED
 BULB TEE
 RIGHT LANE

REVISIONS					
NO.	BY:	DATE:	NO.	BY:	DATE:
1			3		
2			4		

DOCUMENT NOT CONSIDERED FINAL
 UNLESS ALL SIGNATURES COMPLETED

SHEET NO.
 S02-9
 TOTAL SHEETS
 26

P:\2015\A-5719\Structures\DWG\Right Lane\A-5719_RT_PCG_WEI.dgn
 12/16/2016 2:02:09 PM

DRAWN BY: R. ASENCIO DATE: 12/5/15
 CHECKED BY: J. DILWORTH DATE: 12/8/15