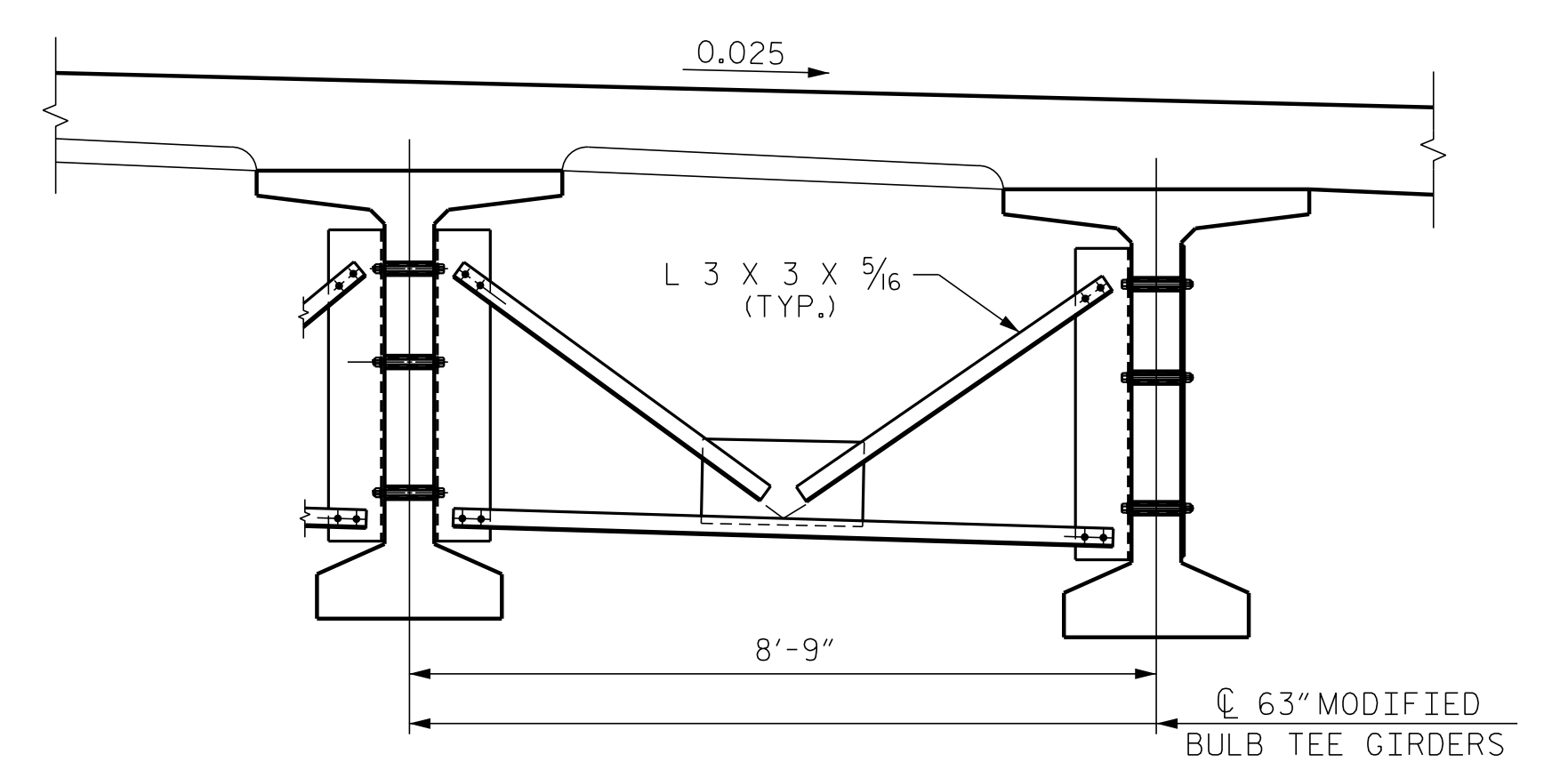
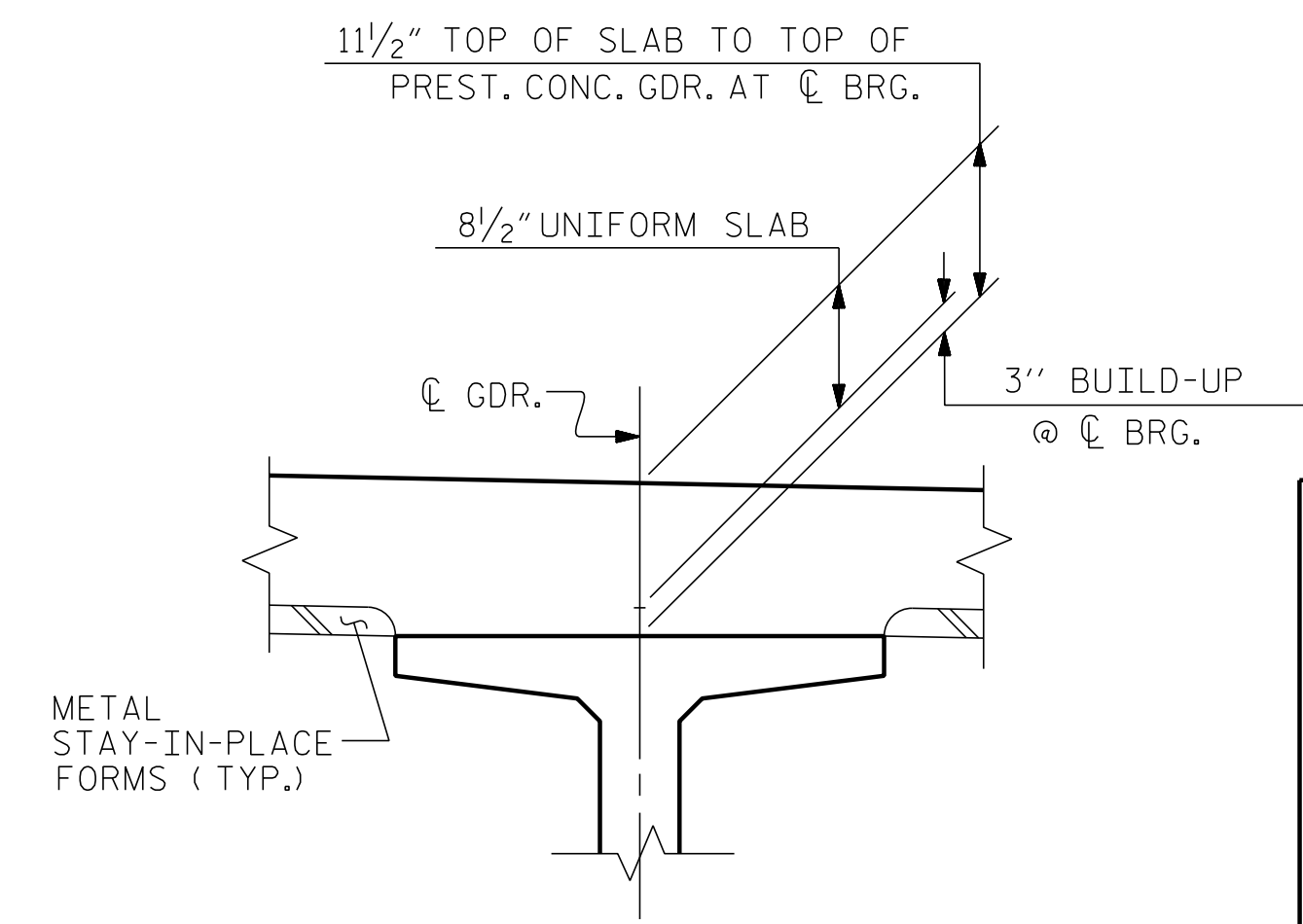


TYPICAL SECTION

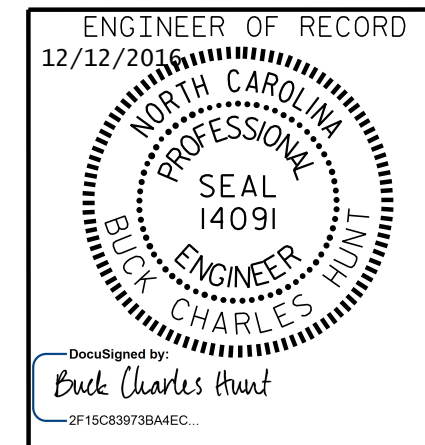


INTERIOR GIRDER EXTERIOR GIRDER  
PART SECTION AT INTERMEDIATE DIAPHRAGM



DETAIL "A"

PROJECT NO. R-5719  
WAYNE COUNTY  
STATION: 39+11.12 -L-  
SHEET 1 OF 2



ENGINEER OF RECORD  
12/12/2016  
NORTH CAROLINA PROFESSIONAL ENGINEER SEAL 14091  
Charles Hunt  
2F15C20P78A4EC  
WETHERILL ENGINEERING  
1223 Jones Franklin Rd.  
Raleigh, N.C. 27606  
Bus: 919 851 8077  
Fax: 919 851 8107  
LICENSE NO. F-0377

STATE OF NORTH CAROLINA DEPARTMENT OF TRANSPORTATION RALEIGH					
SUPERSTRUCTURE TYPICAL SECTION (RIGHT LANE)					
REVISIONS					
NO.	BY:	DATE:	NO.	BY:	DATE:
1			3		
2			4		
SHEET NO. S02-5					TOTAL SHEETS 26

DRAWN BY : D. HODGE DATE : 1/16  
CHECKED BY : G.M. GILLAND DATE : 2/16

DOCUMENT NOT CONSIDERED FINAL  
UNLESS ALL SIGNATURES COMPLETED

P:\2015\A-5719\Structures\DWG\Right Lane\A-5719\_RT\_TS\_WE I.dgn  
 12/16/2016 1:42:13 PM