

NOTES

APPROACH SLAB SHALL NOT BE CONSTRUCTED PRIOR TO COMPLETION OF THE BRIDGE DECK.

AREA BETWEEN THE WINGWALL AND APPROACH SLAB SHALL BE GRADED TO DRAIN THE WATER AWAY FROM THE FILL FACE OF THE BRIDGE AND SHALL BE PAVED. SEE ROADWAY PLANS.

THE JOINT OPENING AT THE APPROACH SLAB/DECK INTERFACE SHALL BE SAWS NO MORE THAN 12 HOURS AFTER THE APPROACH SLAB IS CAST. THE JOINT SHALL BE CLEANED OF ALL DEBRIS BEFORE THE SEALANT IS APPLIED. THE JOINT SEALER MATERIAL SHALL CONFORM TO THE REQUIREMENTS OF SECTION 1028-3 OF THE STANDARD SPECIFICATIONS.

FOR BRIDGE APPROACH FILL INCLUDING GEOTEXTILE, 4" Ø DRAINAGE PIPE, AND #78M STONE BACKFILL, SEE ROADWAY PLANS.

GEOTEXTILE SHALL BE TYPE 1 IN ACCORDANCE WITH THE STANDARD SPECIFICATIONS SECTION 1056.

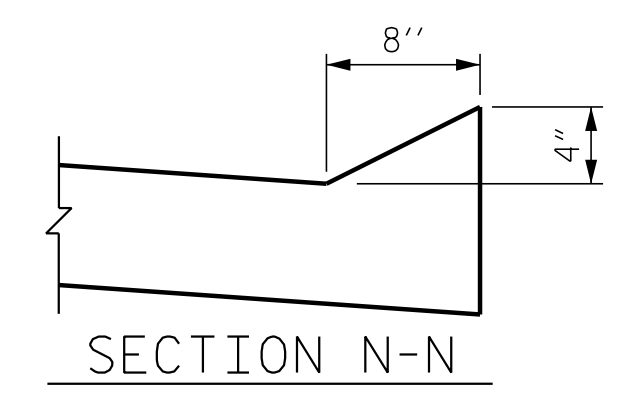
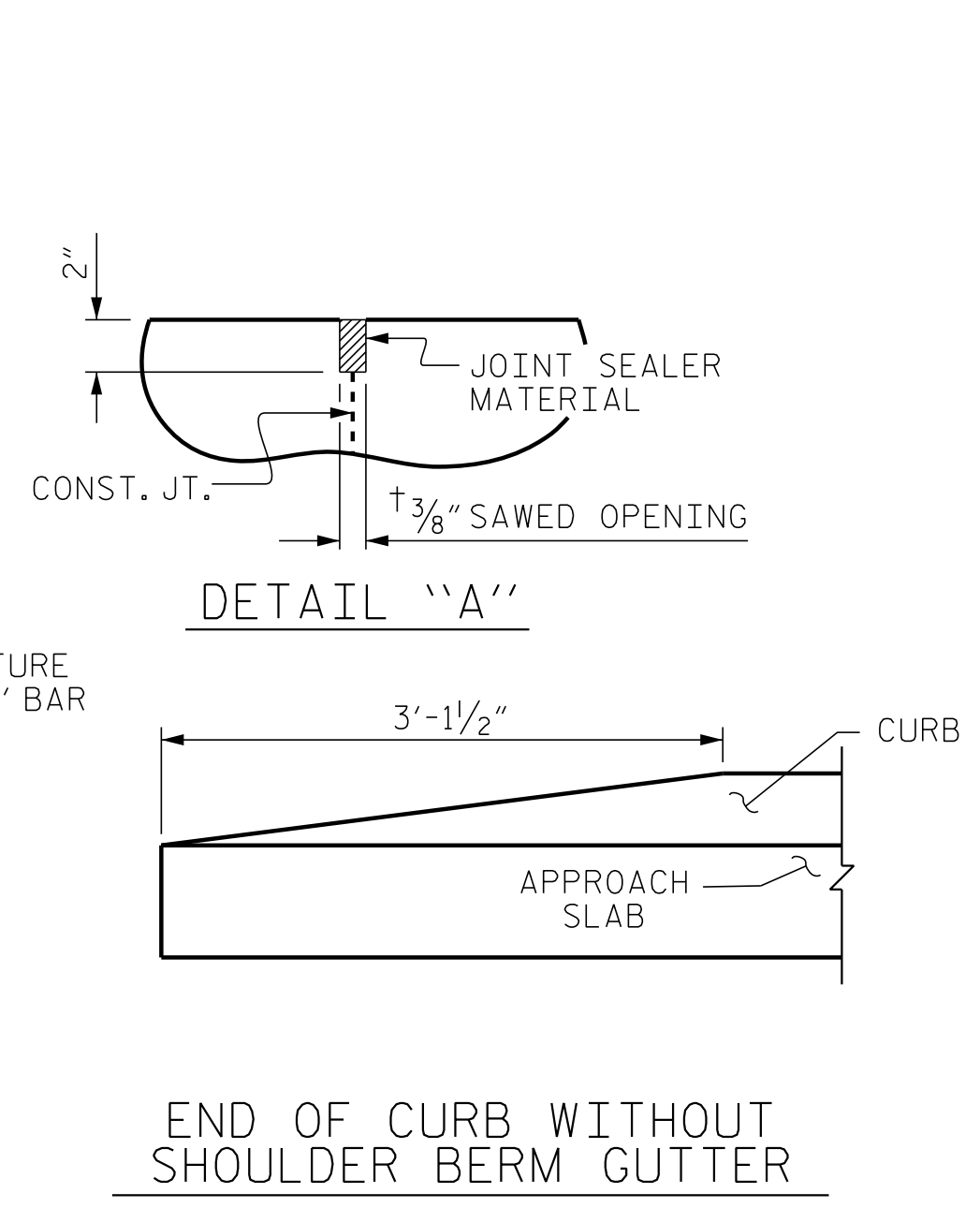
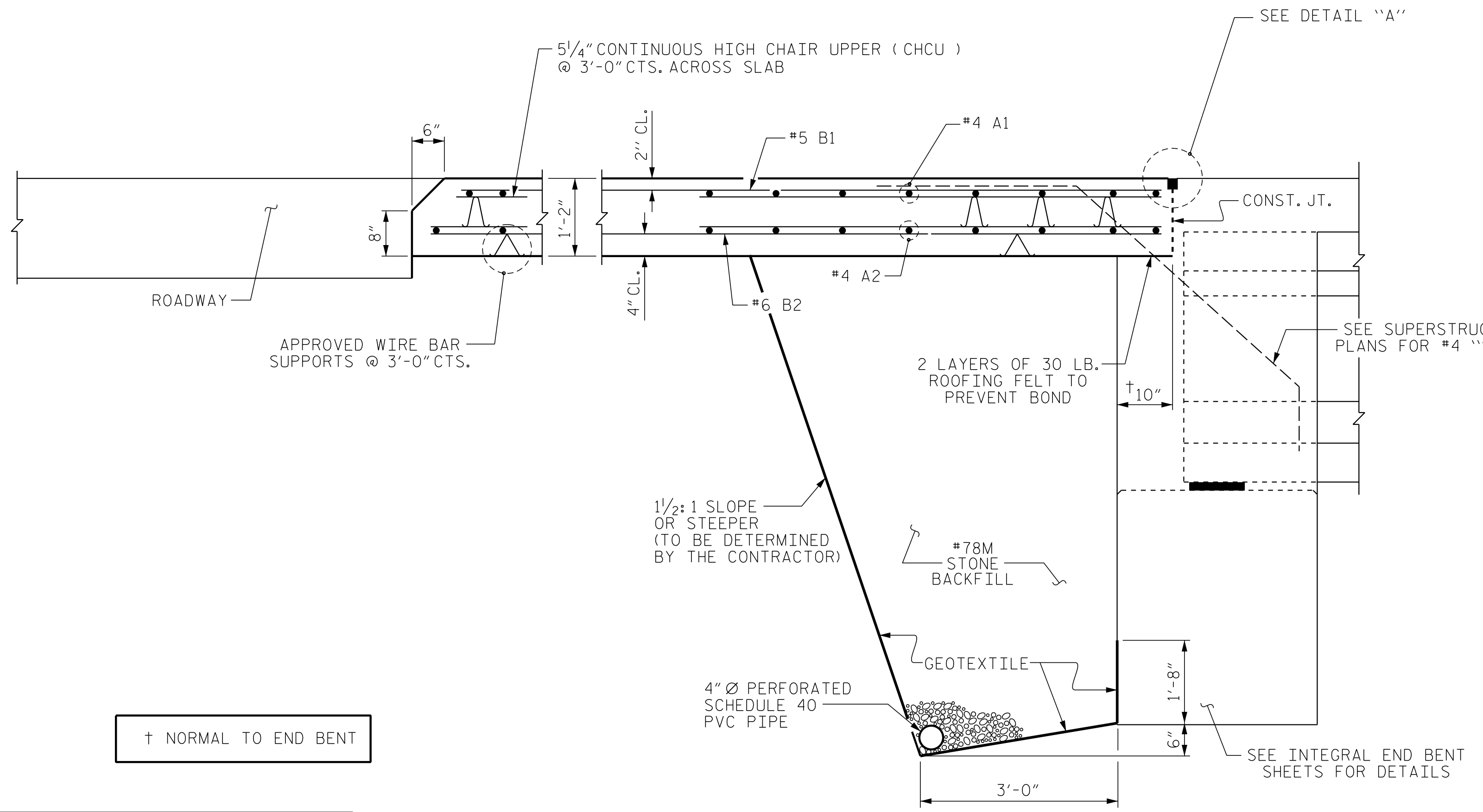
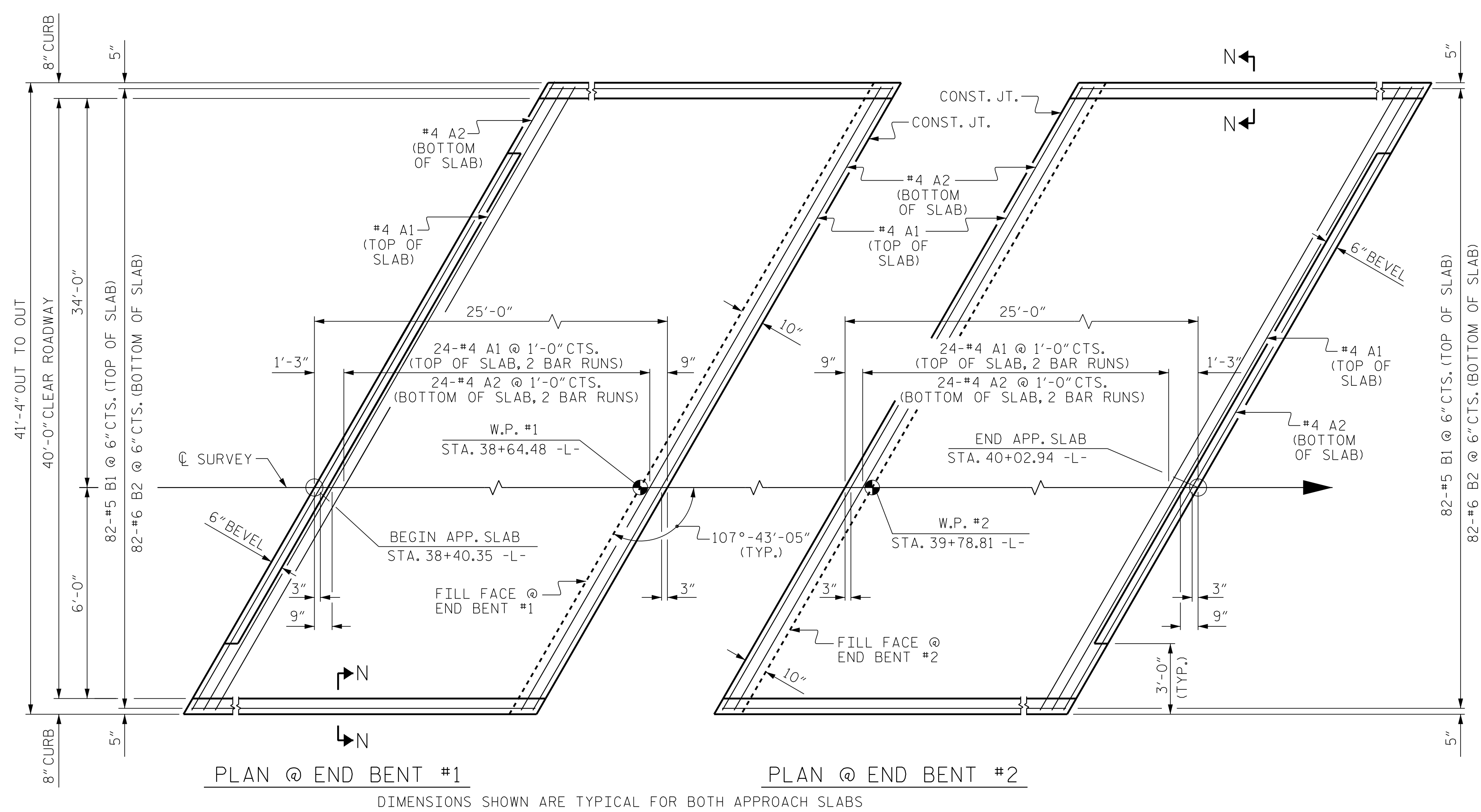
#78M STONE BACKFILL (CLASS V SELECT MATERIAL) SHALL BE IN ACCORDANCE WITH STANDARD SPECIFICATIONS SECTION 1016.

#78M STONE BACKFILL IS TO BE CONTINUOUS ALONG FILL FACE OF BACKWALL FROM OUTSIDE EDGE TO OUTSIDE EDGE OF APPROACH SLAB.

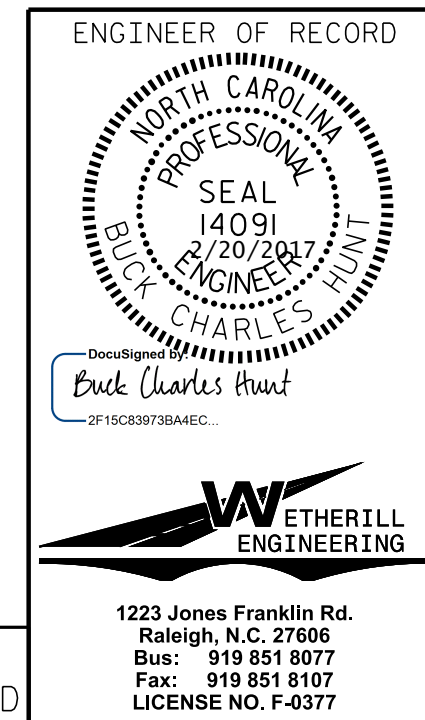
FOR THE 4" Ø DRAINAGE PIPE OUTLET(S), SEE ROADWAY STANDARD DRAWINGS.

BILL OF MATERIAL					
FOR ONE APPROACH SLAB (2 REQ'D)					
BAR	NO.	SIZE	TYPE	LENGTH	WEIGHT
* A1	52	#4	STR	22'-7"	784
A2	52	#4	STR	22'-5"	779
* B1	82	#5	STR	24'-2"	2067
B2	82	#6	STR	24'-8"	3038
REINFORCING STEEL				LBS.	3817
* EPOXY COATED REINFORCING STEEL				LBS.	2851
CLASS AA CONCRETE				C. Y.	44.7

SPLICE LENGTHS		
BAR SIZE	EPOXY COATED	UNCOATED
#4	2'-0"	1'-9"
#5	2'-6"	2'-2"
#6	3'-10"	2'-7"



PROJECT NO. R-5719
 WAYNE COUNTY
 STATION: 39+11.12 -L-
 SHEET 1 OF 2



REVISIONS						SHEET NO.
NO.	BY:	DATE:	NO.	BY:	DATE:	TOTAL SHEETS
1			3			26
2			4			26

DOCUMENT NOT CONSIDERED FINAL UNLESS ALL SIGNATURES COMPLETED

P:\2015\A-5719\Structures\DWG\Left Lane\A-5719_L1_AS.WE.Ldgn
 2/20/2017 8:25:00 AM

ASSEMBLED BY : B.C. HUNT	DATE : 10-6-15
CHECKED BY : G.M. GILLAND	DATE : 10-7-15
DRAWN BY : TLA 10/05	REV. 10/1/11 MAA/GM
CHECKED BY : GM 5/06	REV. 12/21/11 MAA/GM
	REV. 6/13 MAA/GM

SECTION THRU SLAB