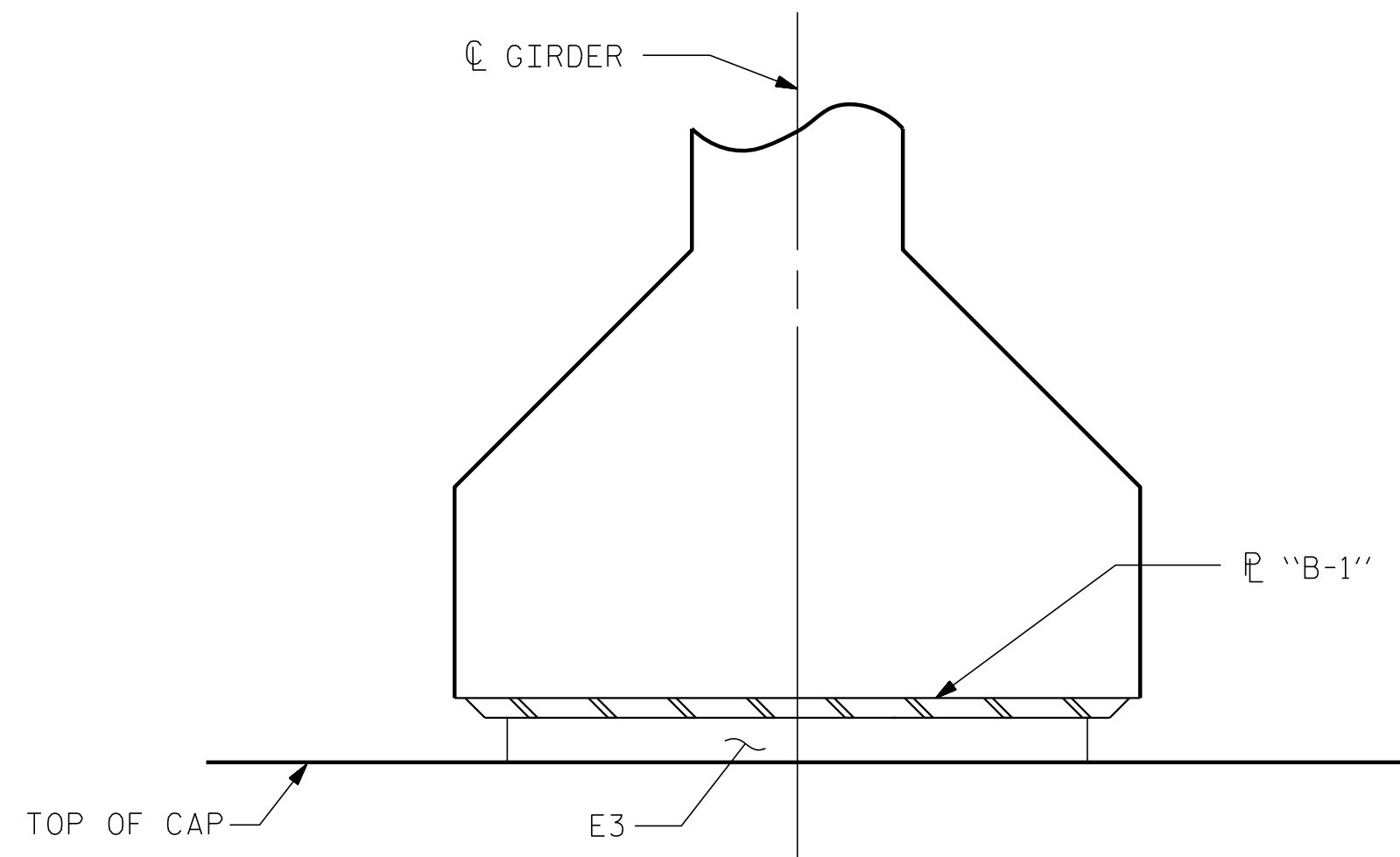
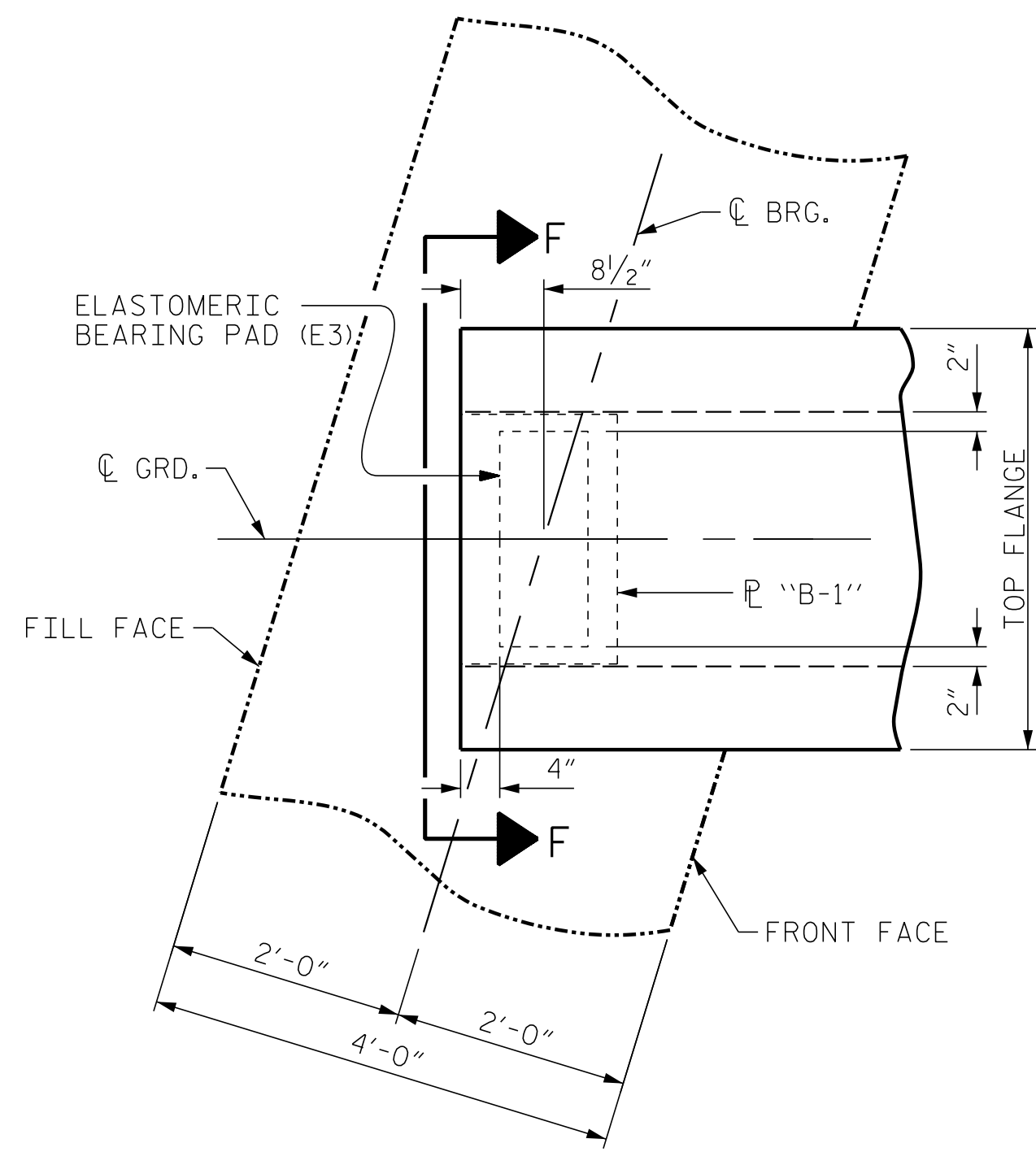


NOTES

THE ELASTOMER IN THE STEEL REINFORCED BEARINGS SHALL HAVE A SHEAR MODULUS OF 0.160 KSI, IN ACCORDANCE WITH AASHTO M251.

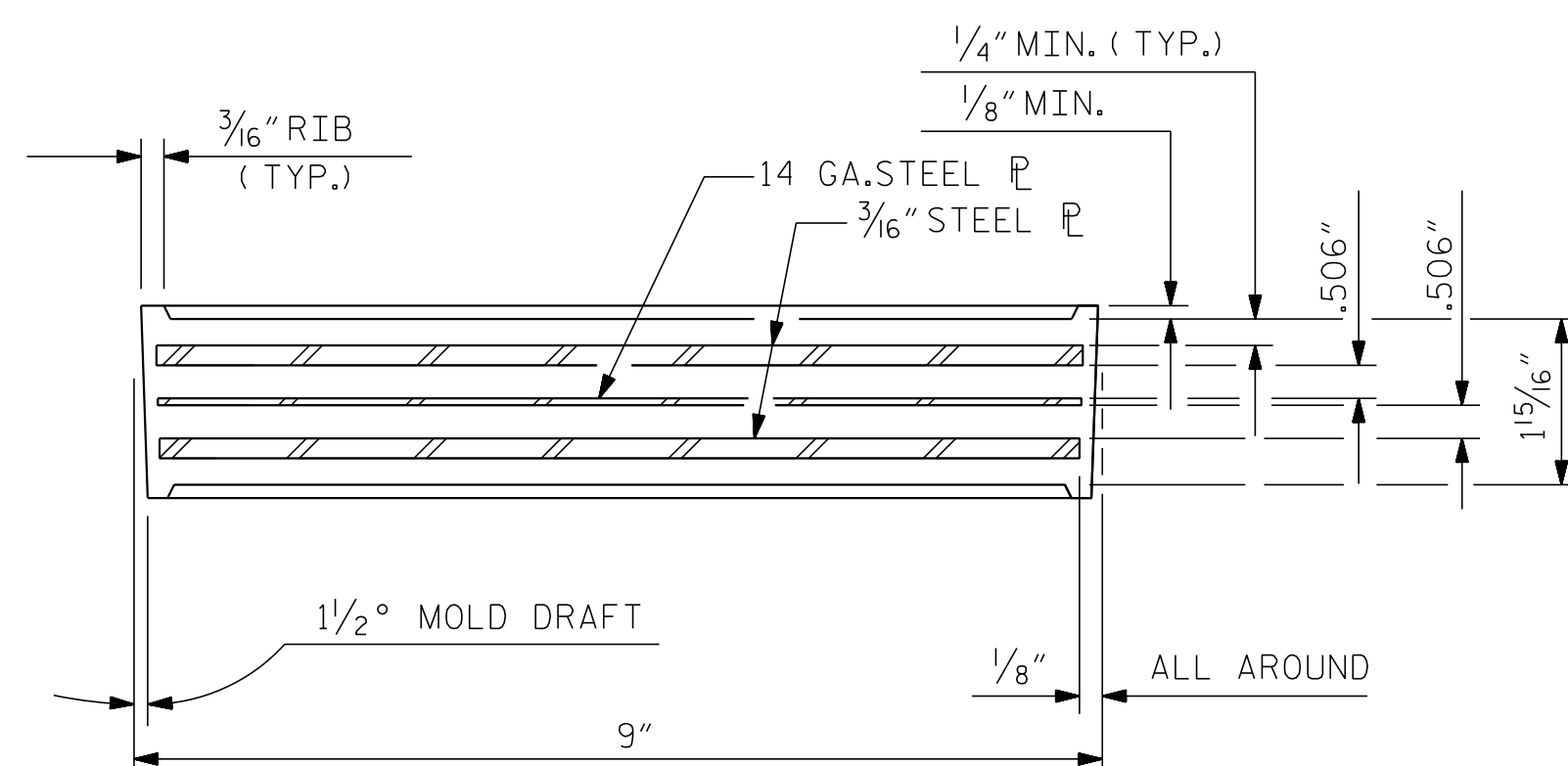
FOR STEEL REINFORCED ELASTOMERIC BEARINGS, SEE SPECIAL PROVISIONS.

MAXIMUM ALLOWABLE SERVICE LOADS	
D.L.+L.L. (NO IMPACT)	
TYPE IV	225 k

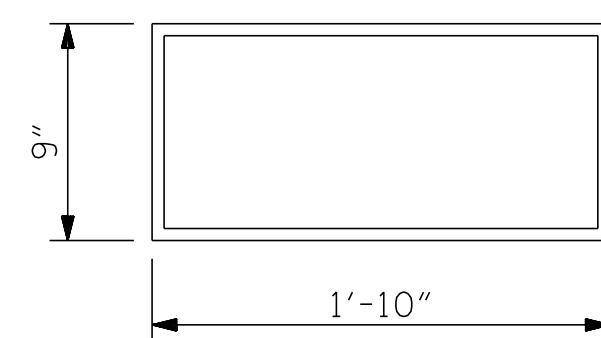


SECTION F-F

TYPICAL PLAN GIRDER @ INTEGRAL END BENT

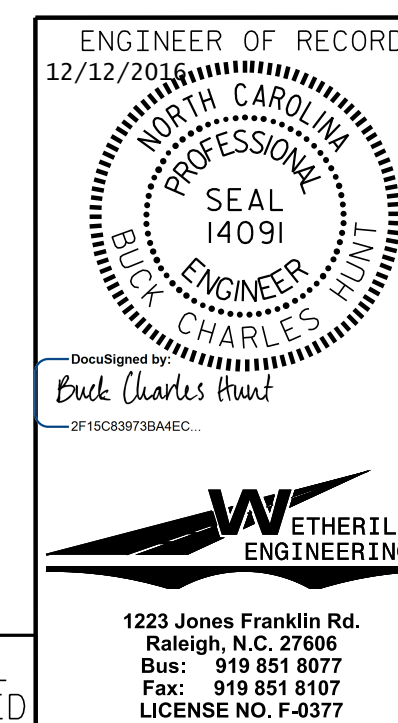


TYPICAL SECTION OF ELASTOMERIC BEARINGS



E3 (10 REQ'D)  
PLAN VIEW OF ELASTOMERIC BEARING  
TYPE IV

PROJECT NO. R-5719  
WAYNE COUNTY  
STATION: 39+11.12 -L-



STATE OF NORTH CAROLINA  
DEPARTMENT OF TRANSPORTATION  
RALEIGH  
STANDARD  
ELASTOMERIC BEARING  
DETAILS  
PRESTRESSED CONCRETE GIRDER  
SUPERSTRUCTURE  
LEFT LANE

REVISIONS				SHEET NO.	
NO.	BY:	DATE:	NO.	BY:	DATE:
1			3		
2			4		

TOTAL SHEETS: 26

DOCUMENT NOT CONSIDERED FINAL  
UNLESS ALL SIGNATURES COMPLETED

DRAWN BY : R. ASENCIO DATE : 12/5/15  
CHECKED BY : J. DILWORTH DATE : 12/8/15