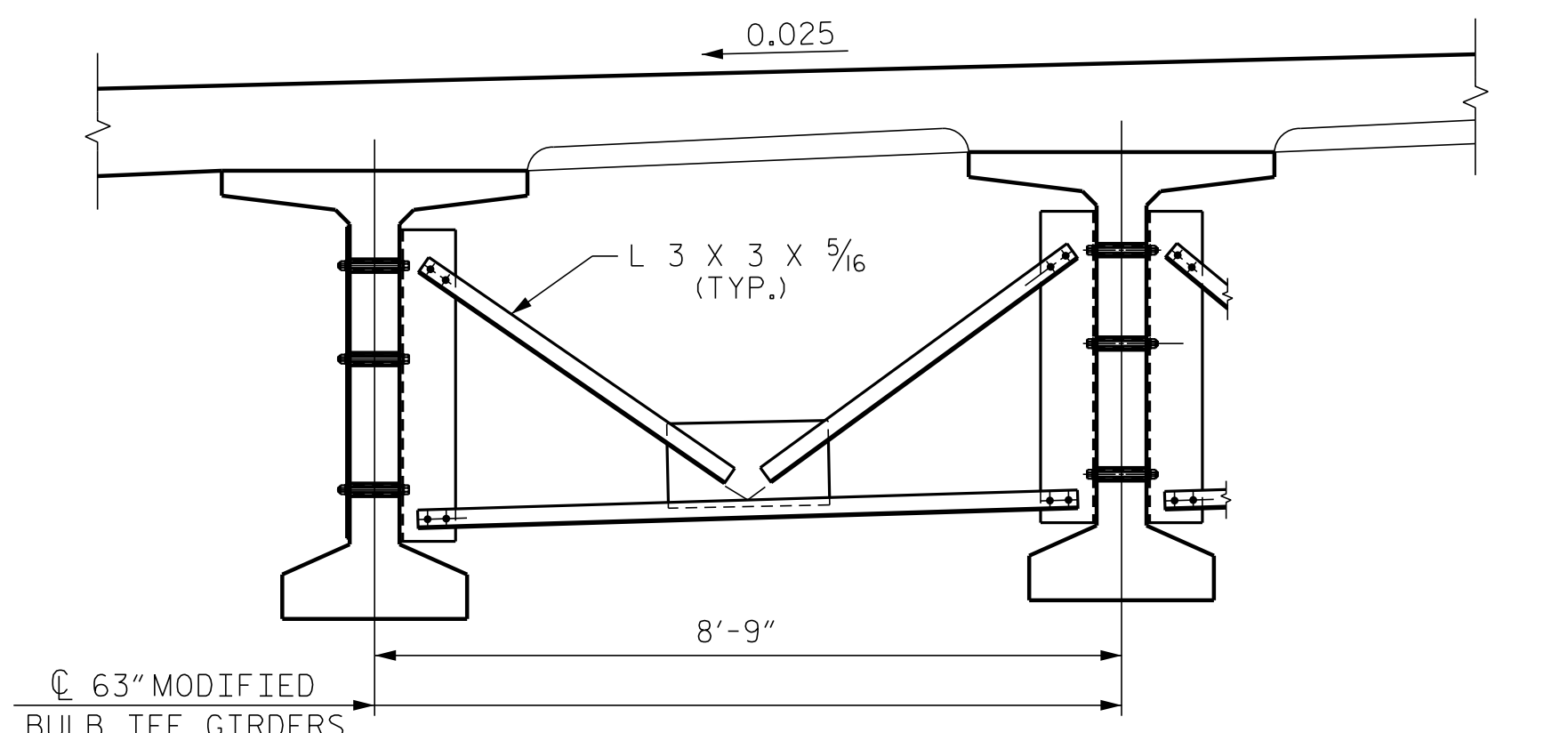
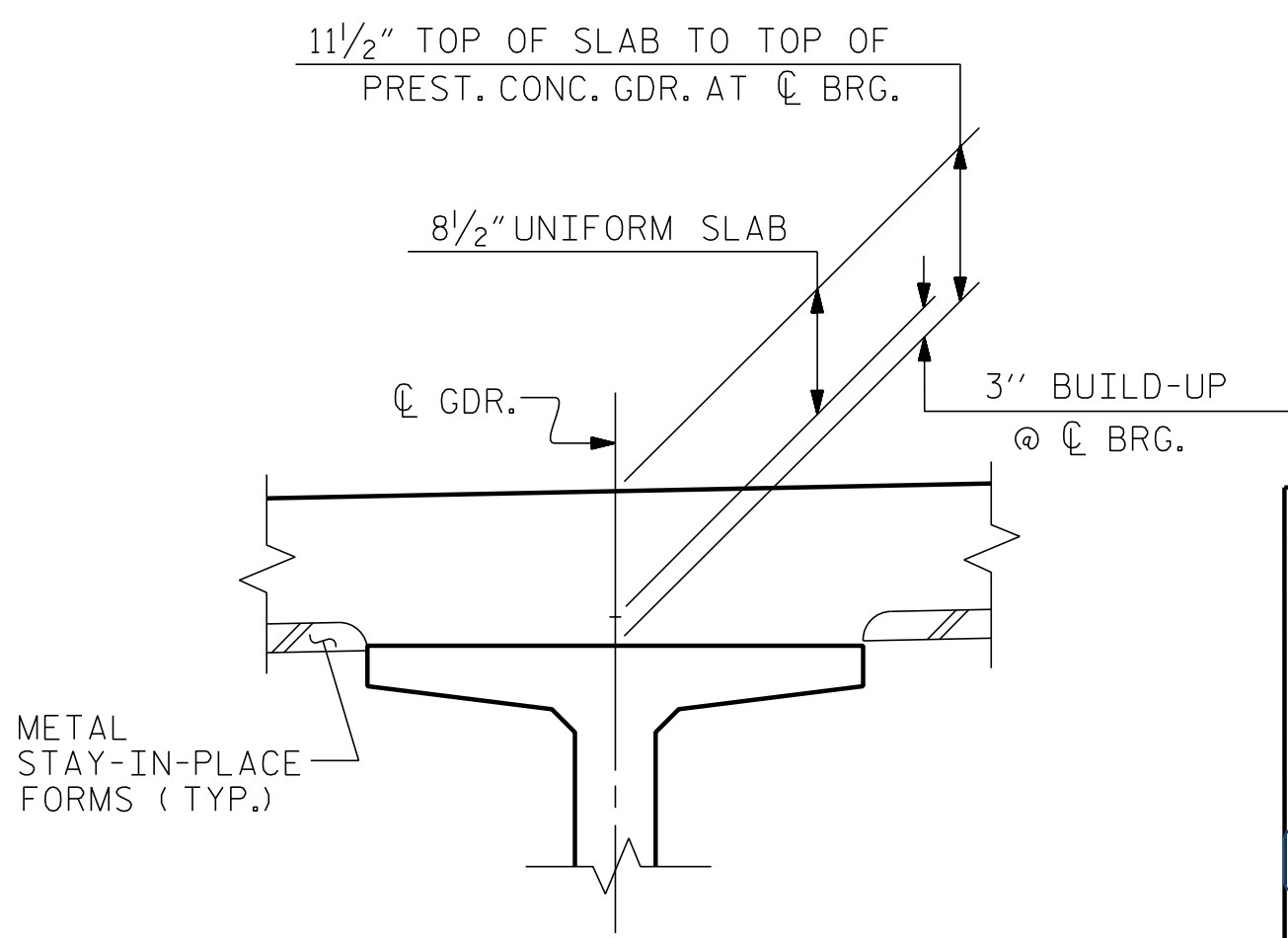


TYPICAL SECTION



EXTERIOR GIRDER INTERIOR GIRDER
PART SECTION AT INTERMEDIATE DIAPHRAGM



DETAIL "A"

PROJECT NO. R-5719
WAYNE COUNTY
 STATION: 39+11.12 -L-
 SHEET 1 OF 2

ENGINEER OF RECORD
 12/12/2016

 DocuSigned by:
 Charles Hunt
 2F4C4392B8A6C

 1223 Jones Franklin Rd.
 Raleigh, N.C. 27606
 Bus: 919 851 8077
 Fax: 919 851 8107
 LICENSE NO. F-0377

STATE OF NORTH CAROLINA DEPARTMENT OF TRANSPORTATION RALEIGH					
SUPERSTRUCTURE TYPICAL SECTION (LEFT LANE)					
REVISIONS					
NO.	BY:	DATE:	NO.	BY:	DATE:
1			3		
2			4		
SHEET NO.					S01-5
TOTAL SHEETS					26

DRAWN BY : D. HODGE DATE : 1/16
 CHECKED BY : G.M. GILLAND DATE : 2/16

DOCUMENT NOT CONSIDERED FINAL
 UNLESS ALL SIGNATURES COMPLETED

P:\2015\A-5719\Structures\DWG\Left Lane\R-5719_L1-TS.WE.Ldgn
 12/16/2016 12:46:03 PM