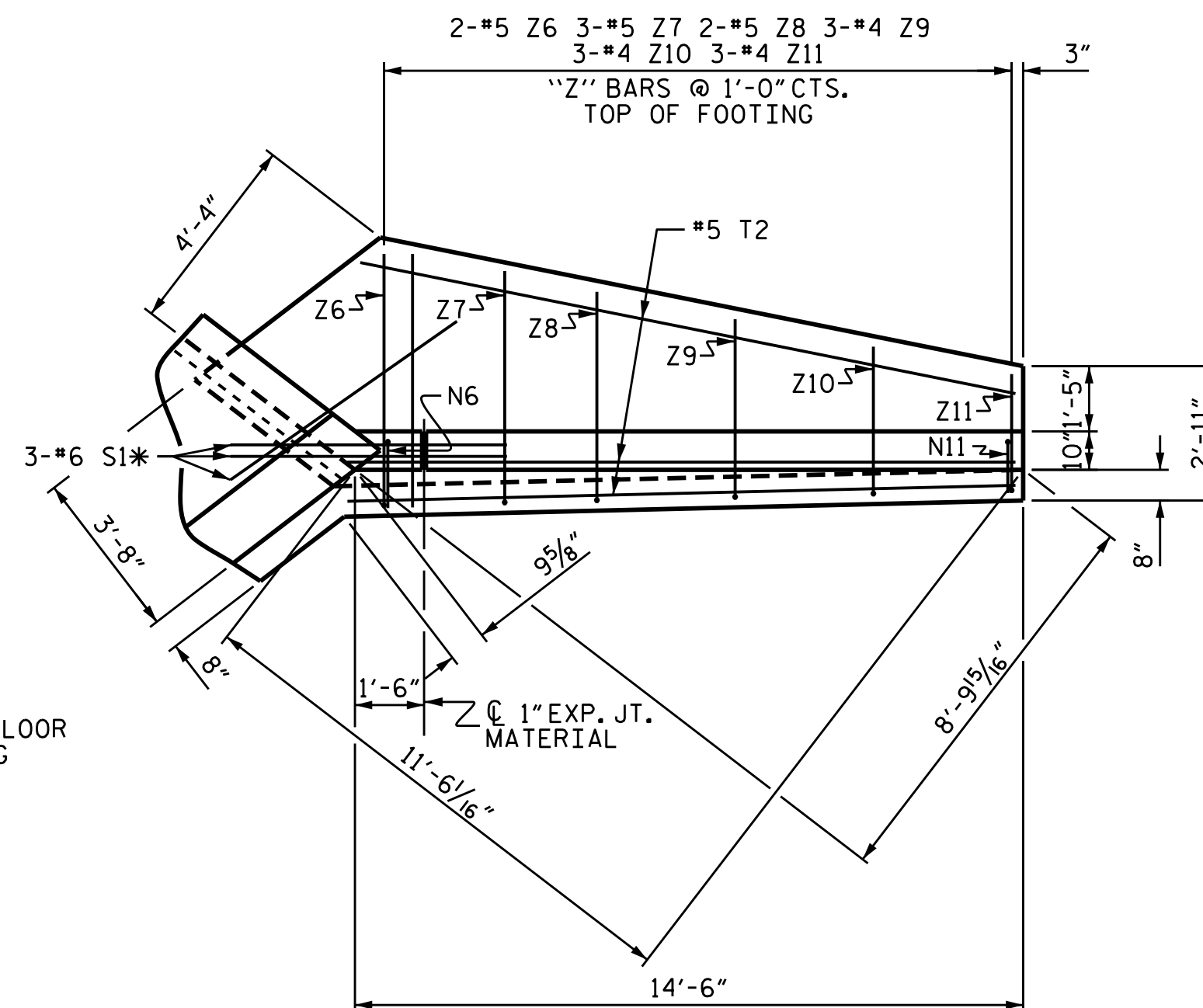
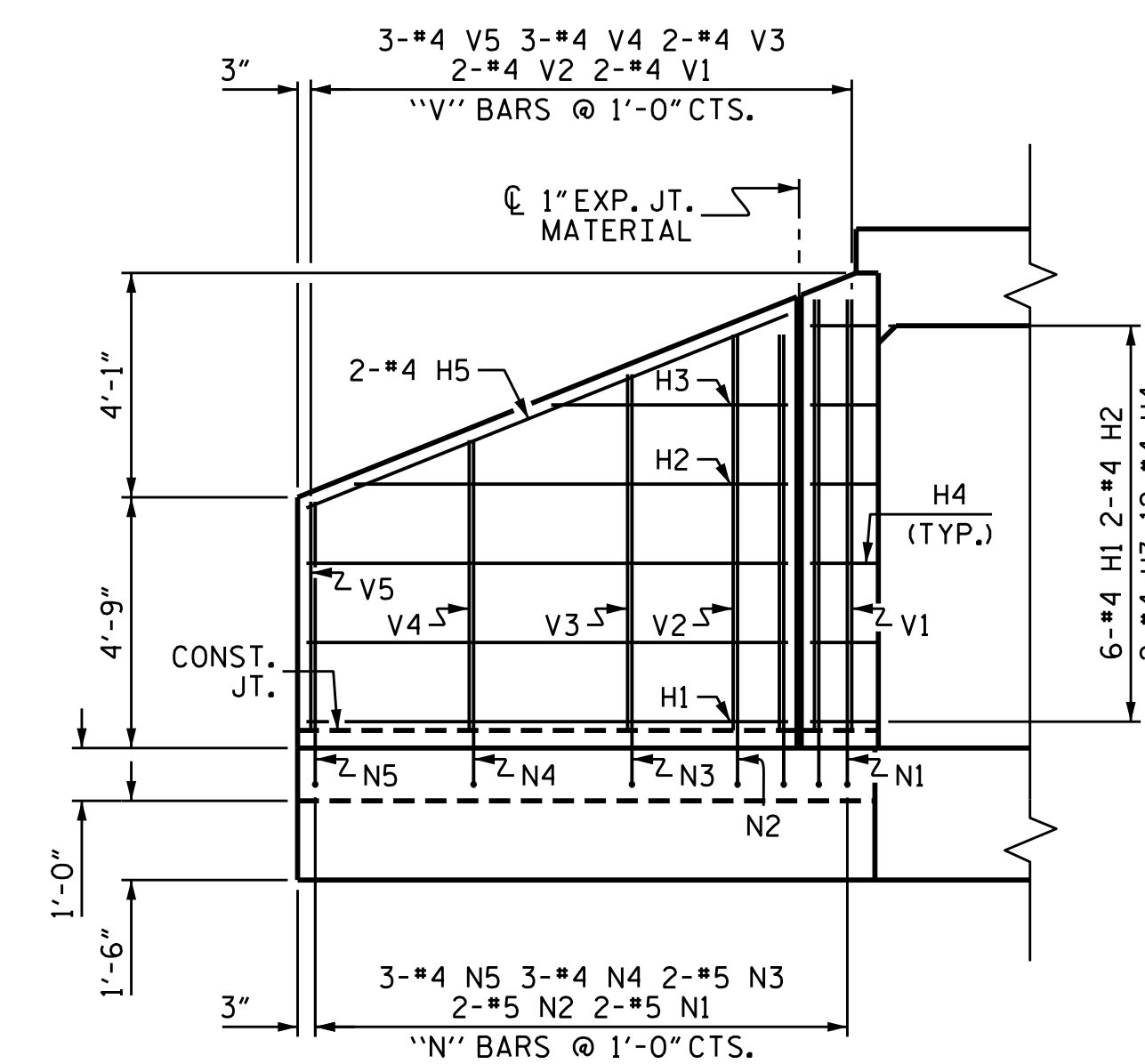


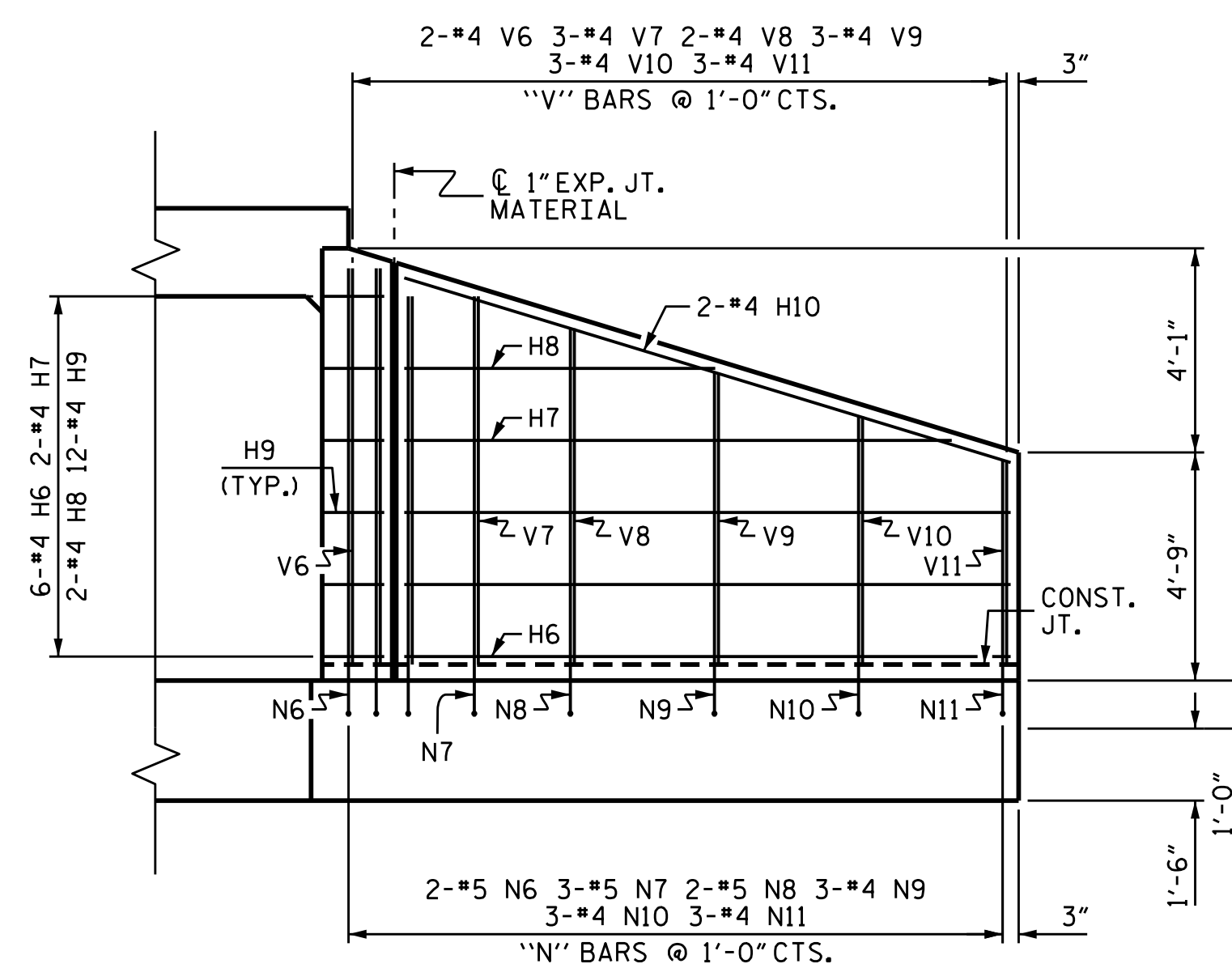
PLAN W2



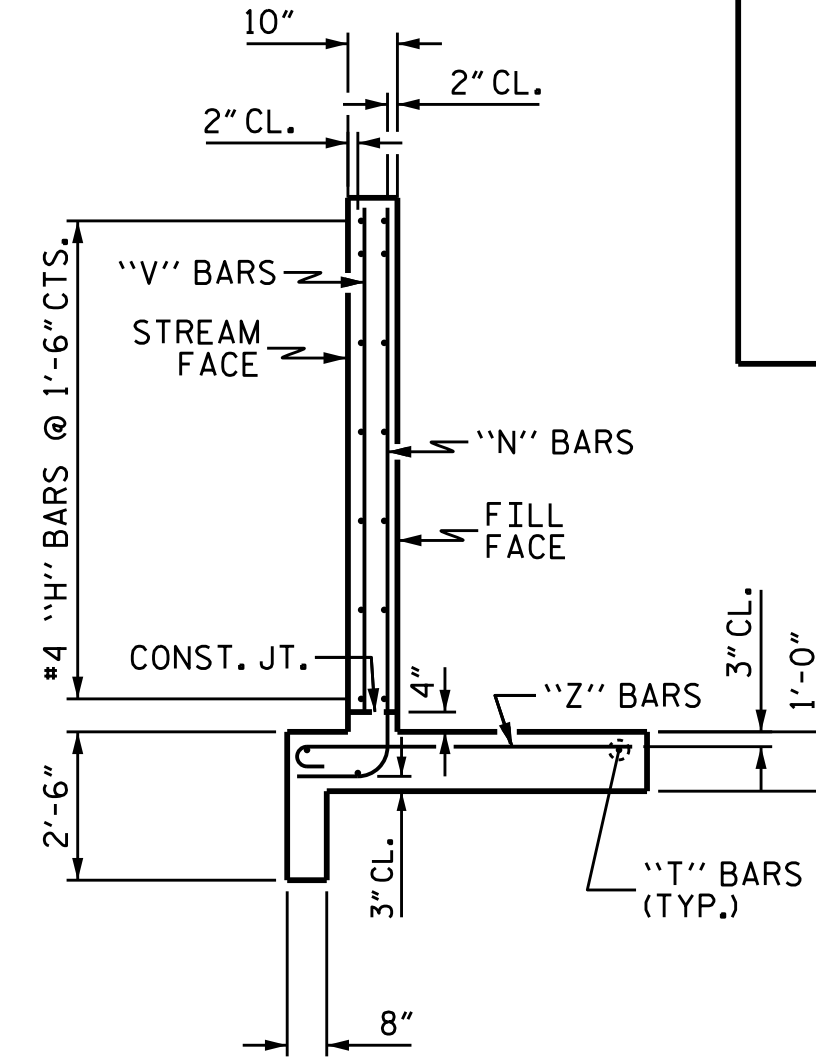
PLAN W1



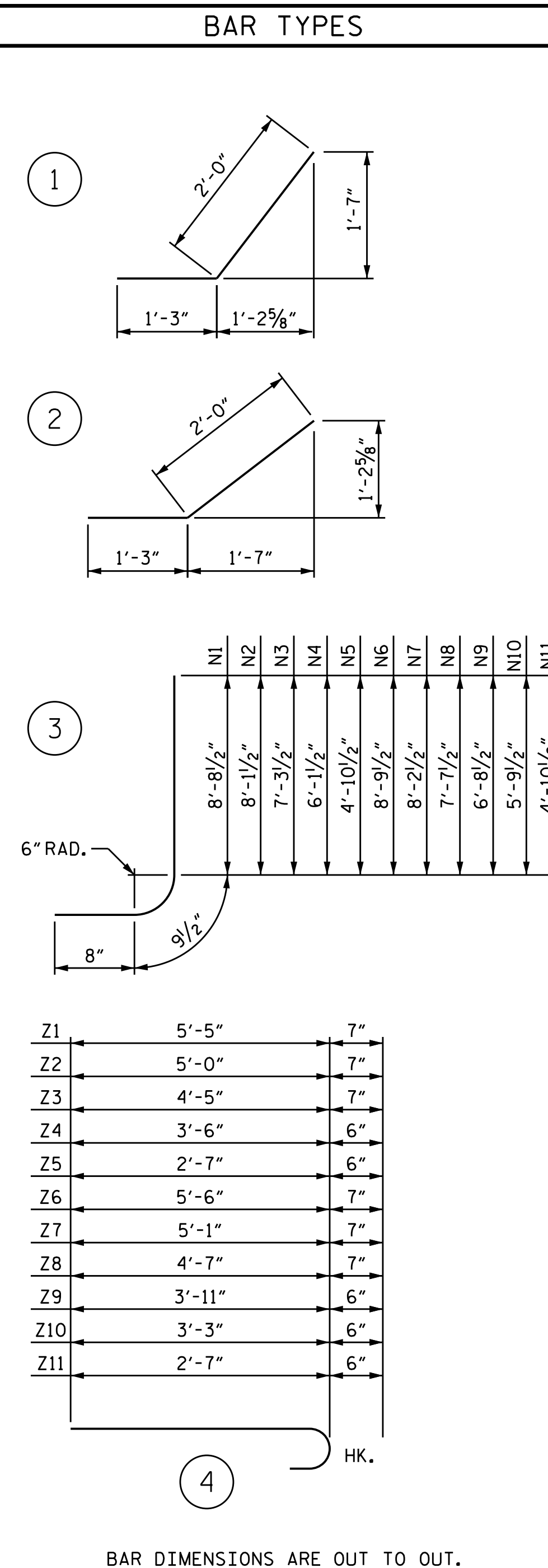
ELEVATION W2



ELEVATION W1



TYPICAL WING SECTION



BILL OF MATERIAL					
BAR	NO.	SIZE	TYPE	LENGTH	WEIGHT
H1	12	#4	STR	9'-1"	73
H2	4	#4	STR	8'-2"	22
H3	4	#4	STR	4'-5"	12
H4	24	#4	1	3'-3"	52
H5	4	#4	STR	9'-10"	26
H6	12	#4	STR	12'-7"	101
H7	4	#4	STR	11'-4"	30
H8	4	#4	STR	6'-5"	17
H9	24	#4	2	3'-3"	52
H10	4	#4	STR	13'-2"	35
N1	4	#5	3	10'-2"	42
N2	4	#5	3	9'-7"	40
N3	4	#5	3	8'-9"	37
N4	6	#4	3	7'-7"	30
N5	6	#4	3	6'-4"	25
N6	4	#5	3	10'-3"	43
N7	6	#5	3	9'-8"	60
N8	4	#5	3	9'-1"	38
N9	6	#4	3	8'-2"	33
N10	6	#4	3	7'-3"	29
N11	6	#4	3	6'-4"	25
S1	12	#6	STR	6'-0"	108
T1	6	#5	STR	11'-0"	69
T2	6	#5	STR	14'-6"	91
V1	4	#4	STR	8'-2"	22
V2	4	#4	STR	7'-6"	20
V3	4	#4	STR	6'-9"	18
V4	6	#4	STR	5'-6"	22
V5	6	#4	STR	4'-4"	17
V6	4	#4	STR	8'-3"	22
V7	6	#4	STR	7'-8"	31
V8	4	#4	STR	7'-0"	19
V9	6	#4	STR	6'-1"	24
V10	6	#4	STR	5'-2"	21
V11	6	#4	STR	4'-3"	17
Z1	4	#5	4	6'-0"	25
Z2	4	#5	4	5'-7"	23
Z3	4	#5	4	5'-0"	21
Z4	6	#4	4	4'-0"	16
Z5	6	#4	4	3'-1"	12
Z6	4	#5	4	6'-1"	25
Z7	6	#5	4	5'-8"	35
Z8	4	#5	4	5'-2"	22
Z9	6	#4	4	4'-5"	18
Z10	6	#4	4	3'-9"	15
Z11	6	#4	4	3'-1"	12
REINFORCING STEEL FOR 4 WINGS				LBS.	1,547
CLASS A CONCRETE					
4 WINGS				C.Y.	22.6
2 HEADWALLS				C.Y.	1.0
2 END CURTAIN WALLS				C.Y.	1.0
2 SILLS				C.Y.	0.7
TOTAL				C.Y.	25.3

BAR DIMENSIONS ARE OUT TO OUT.

PROJECT NO. W-5313  
 ROWAN COUNTY  
 STATION: 179+65.00 -L-

SHEET 5 OF 5



STATE OF NORTH CAROLINA  
 DEPARTMENT OF TRANSPORTATION  
 RALEIGH  
 STANDARD WINGS  
 FOR  
 CONCRETE BOX CULVERT  
 H = 8'-0" SLOPE = 2:1  
 75° SKEW

ASSEMBLED BY: N.D. AIUTO DATE: 8/8/14  
 CHECKED BY: H.A. LOCKLEAR DATE: 8/20/14  
 DRAWN BY: CCJ 01/00  
 CHECKED BY: RWW 03/00

DOCUMENT NOT CONSIDERED  
 FINAL UNLESS ALL  
 SIGNATURES COMPLETED

REVISIONS						SHEET NO.
NO.	BY:	DATE:	NO.	BY:	DATE:	C-5
1			3			TOTAL SHEETS
2			4			15