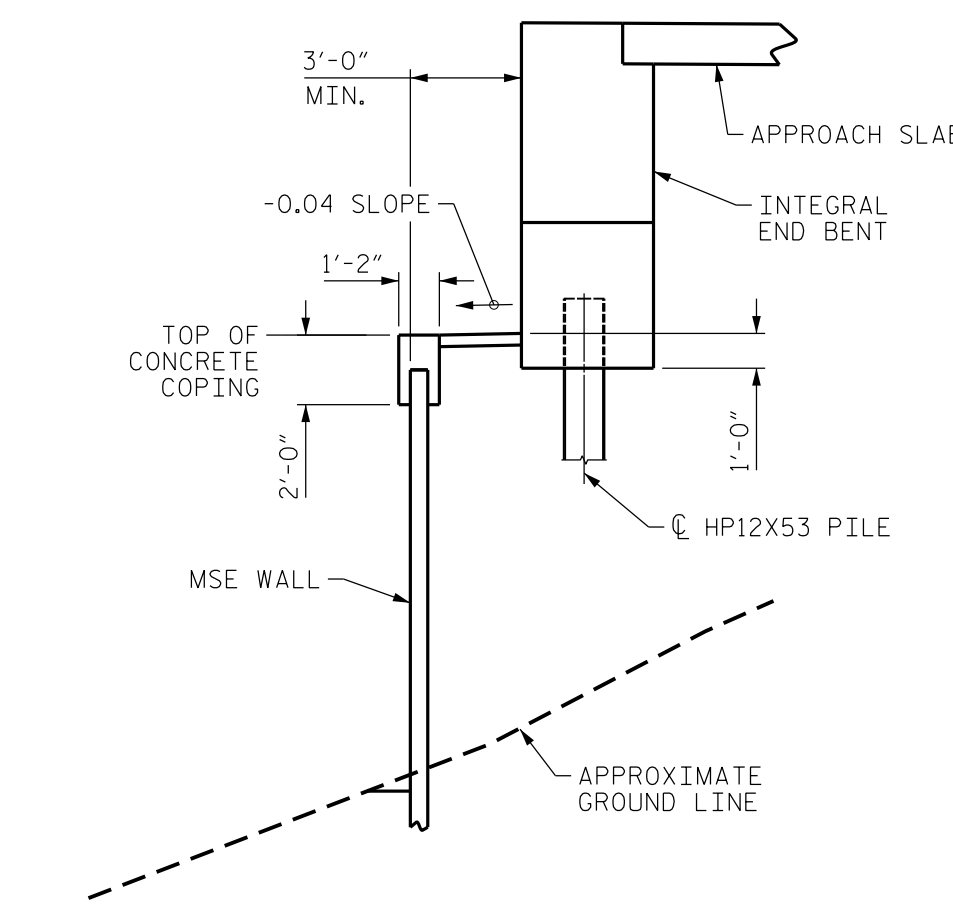
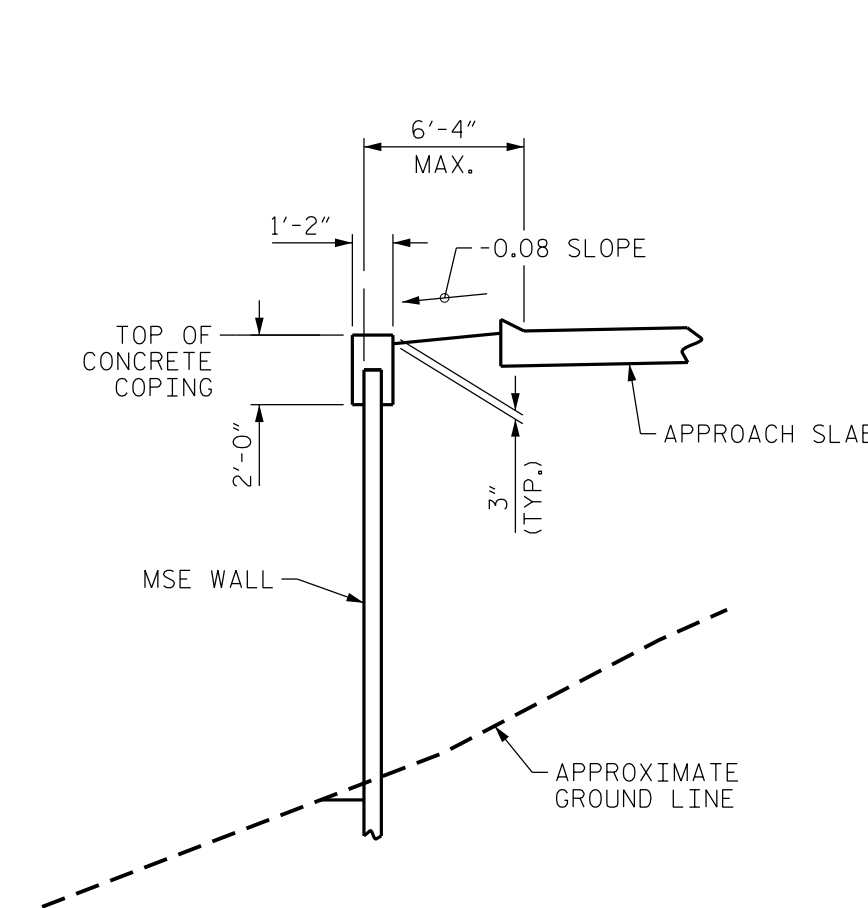
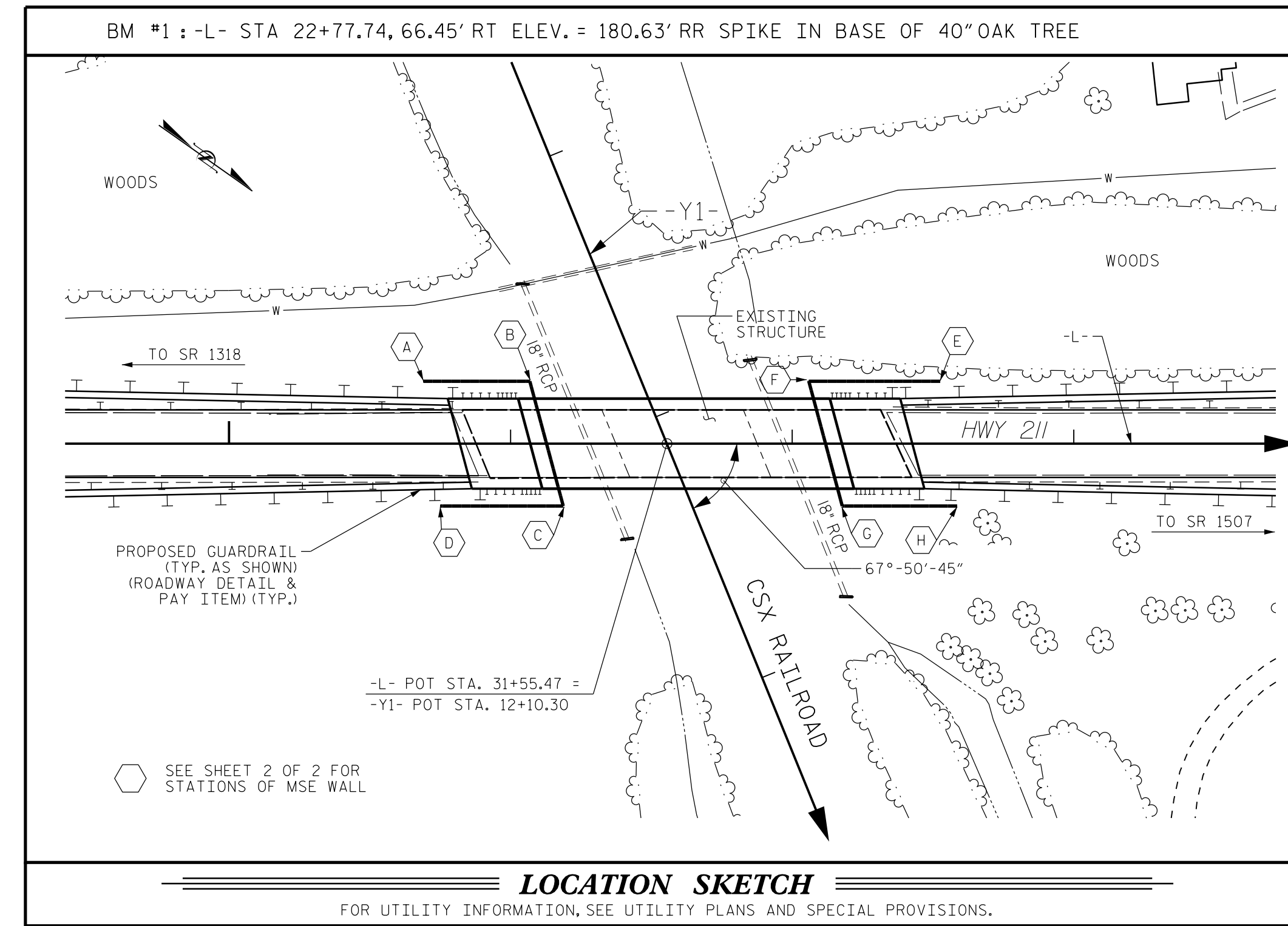




DocuSigned by:  
Michael J. Walko, PE 2/21/2016

SIGNATURE DATE SIGNATURE DATE

**DOCUMENT NOT CONSIDERED FINAL  
UNLESS ALL SIGNATURES COMPLETED**

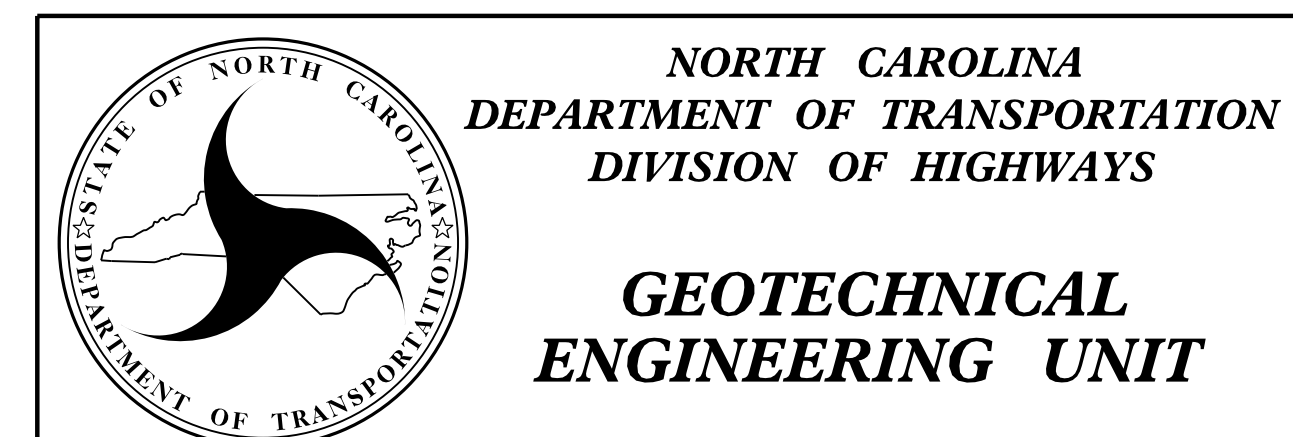


PROJECT NO.: B-4616

ROBESON COUNTY

STATION: 31+55.47 -L- & 12+10.30 -Y1-

SHEET 1 OF 5



**MSE RETAINING WALL  
BRIDGE NO. 18 ON NC 211  
OVER CSX RAILROAD**

**REVISIONS**

NO.	BY	DATE	NO.	BY	DATE	SHEET NO.
1			3			W-1
2			4			

PREPARED BY: M. BREWER	DATE: 3/7/16
REVIEWED BY: M. WALKO	DATE: 3/7/16