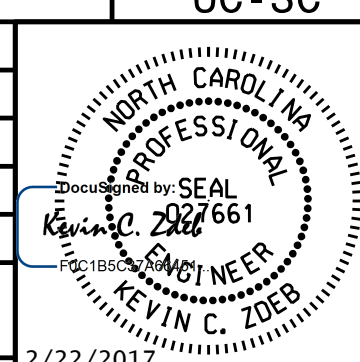

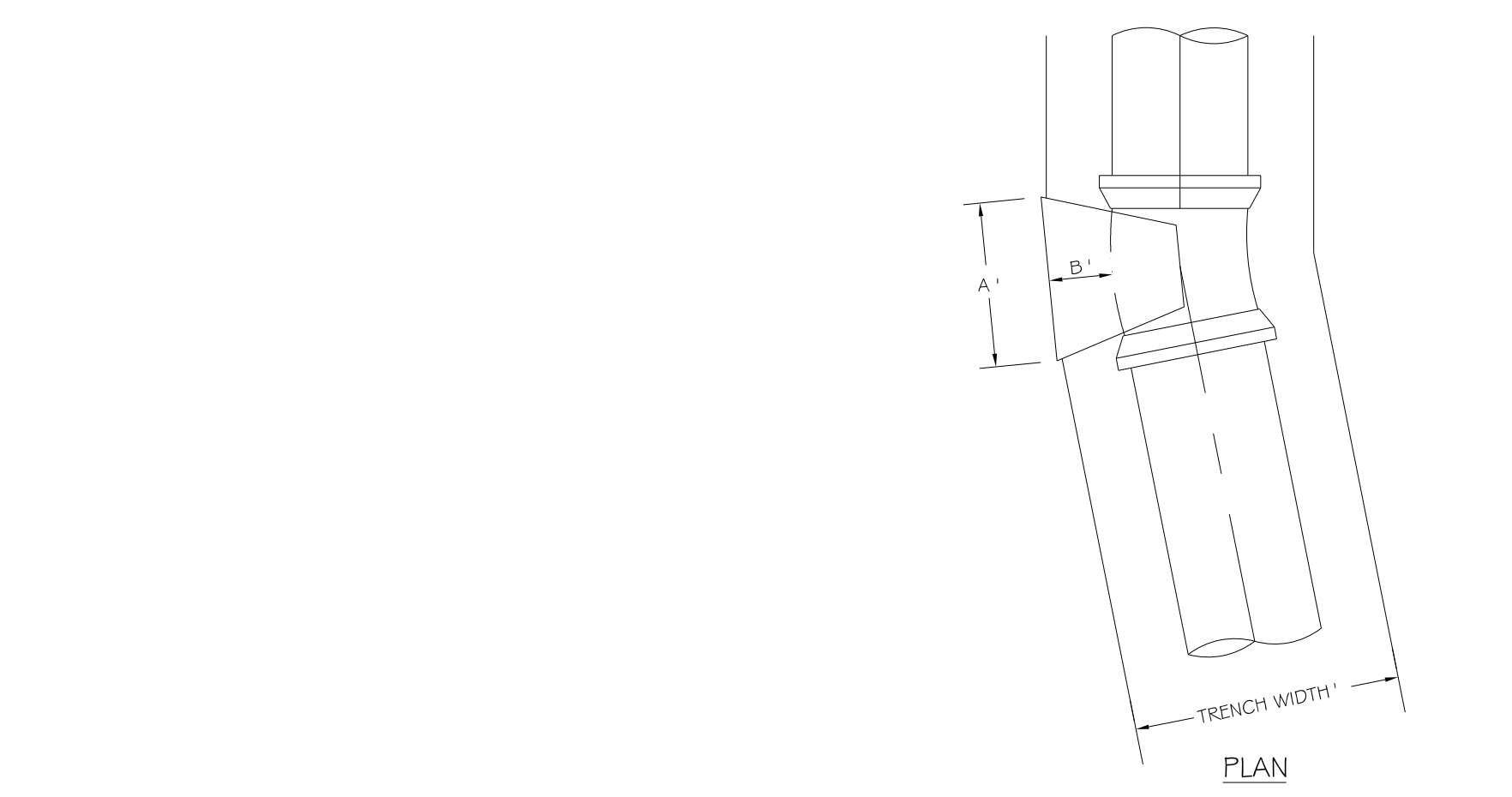
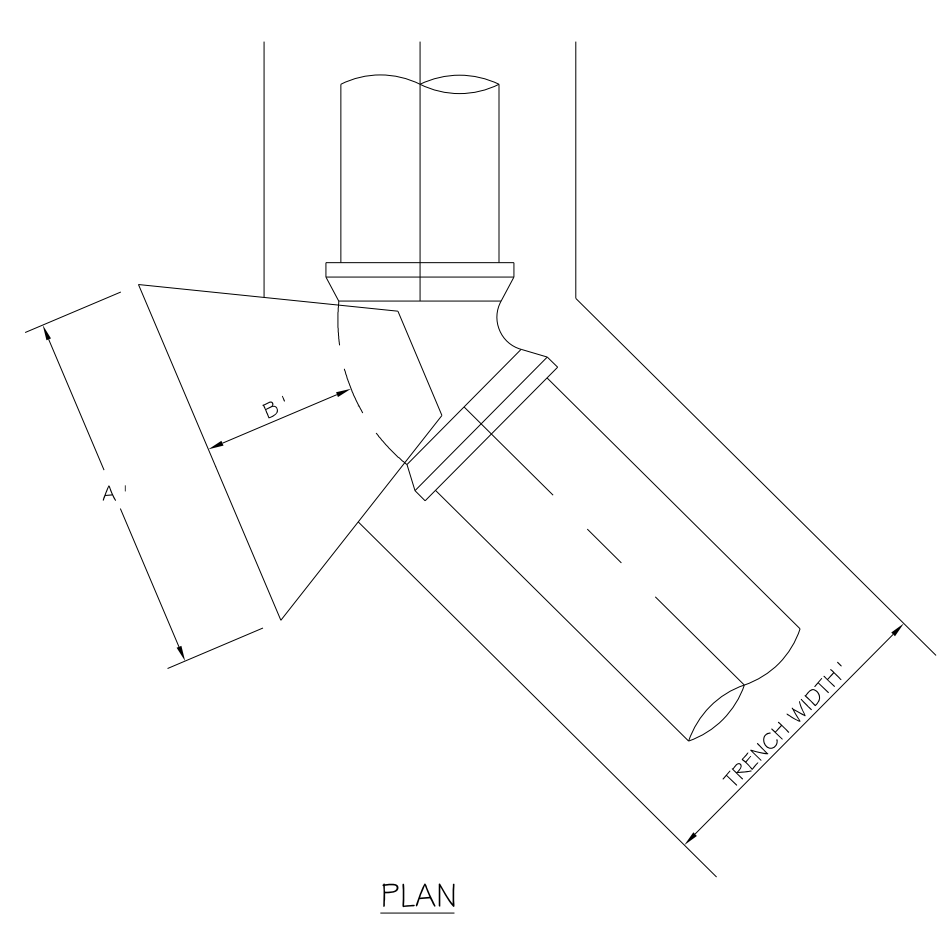


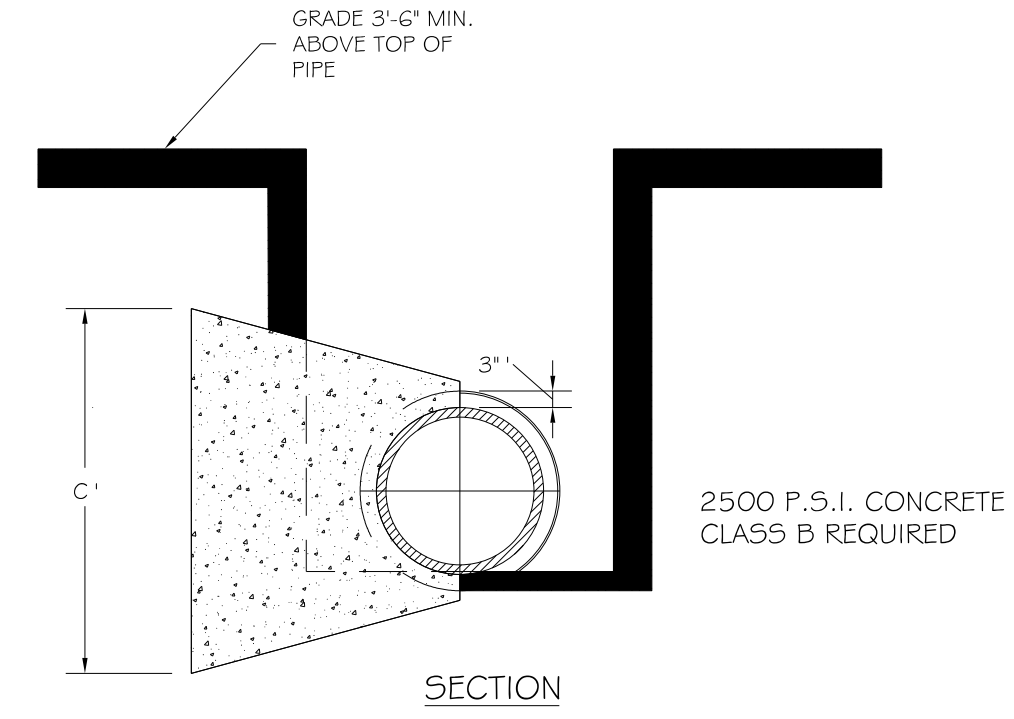
PROJECT REFERENCE NO. U-3621A	SHEET NO. UC-3C
DESIGNED BY: GJB	
DRAWN BY: GJB	
CHECKED BY: KCZ	
APPROVED BY: KCZ	
REVISED:	
NORTH CAROLINA DEPARTMENT OF TRANSPORTATION UTILITIES ENGINEERING SEC. PHONE: (919) 707-6690 FAX: (919) 250-4151 2/22/2017 UTILITY CONSTRUCTION PLANS ONLY	
UTILITY CONSTRUCTION	
<i>DOCUMENT NOT CONSIDERED FINAL UNTIL ALL SIGNATURES ARE COMPLETED</i>	
 M A Engineering Consultants, Inc. <small>598 East Chatham Street - Suite 137 Cary, NC 27511 Phone: 919.297.0220 Fax: 919.297.0221 NC License: F-0160</small>	



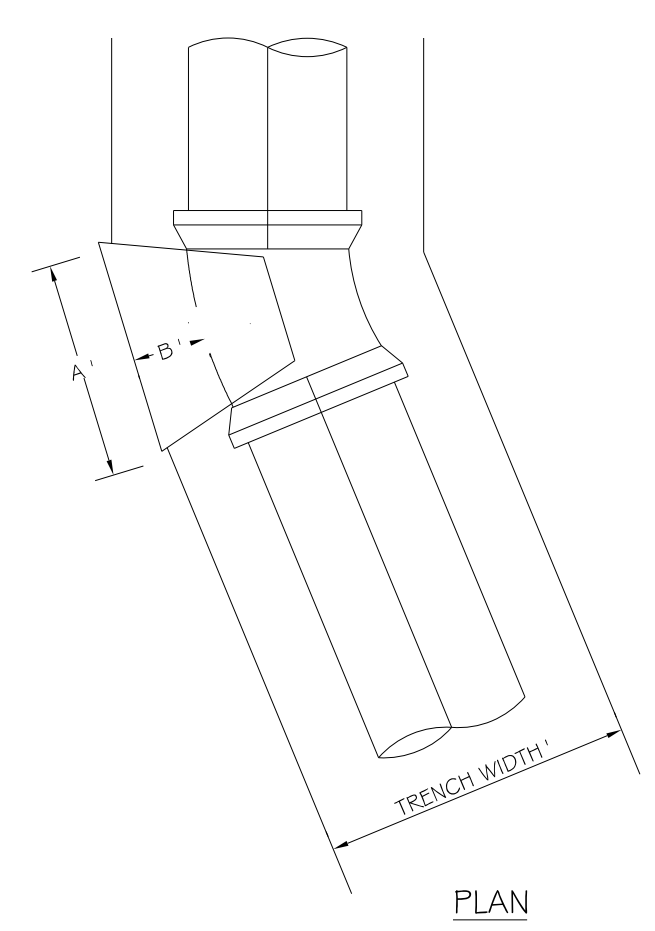
NOMINAL DIAMETER	A	B	C	TRENCH WIDTH
6"	6"	1'0"	1'0"	2'6"
8"	1'0"	1'0"	1'0"	2'8"
12"	1'3"	1'0"	1'0"	3'0"
16"	1'8"	1'2"	1'2"	3'4"
20"	2'1"	1'2"	1'6"	3'8"
24"	2'6"	1'2"	1'10"	4'0"
30"	3'0"	1'4"	2'4"	4'6"



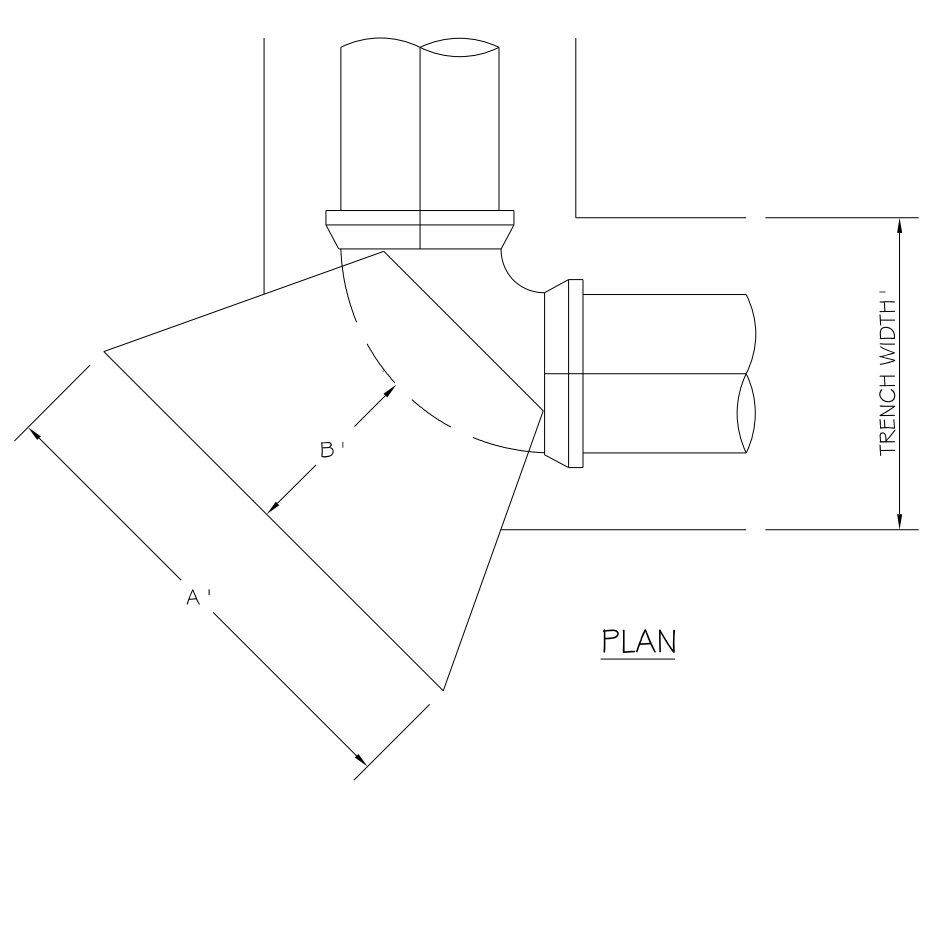
NOMINAL DIAMETER	A	B	C	TRENCH WIDTH
6"	1'4"	1'0"	1'2"	2'6"
8"	1'6"	1'0"	1'4"	2'8"
12"	2'2"	1'0"	2'2"	3'0"
16"	3'0"	1'0"	2'8"	3'4"
20"	4'0"	1'6"	3'0"	3'8"
24"	5'0"	2'0"	3'6"	4'0"
30"	6'6"	2'6"	4'2"	4'6"



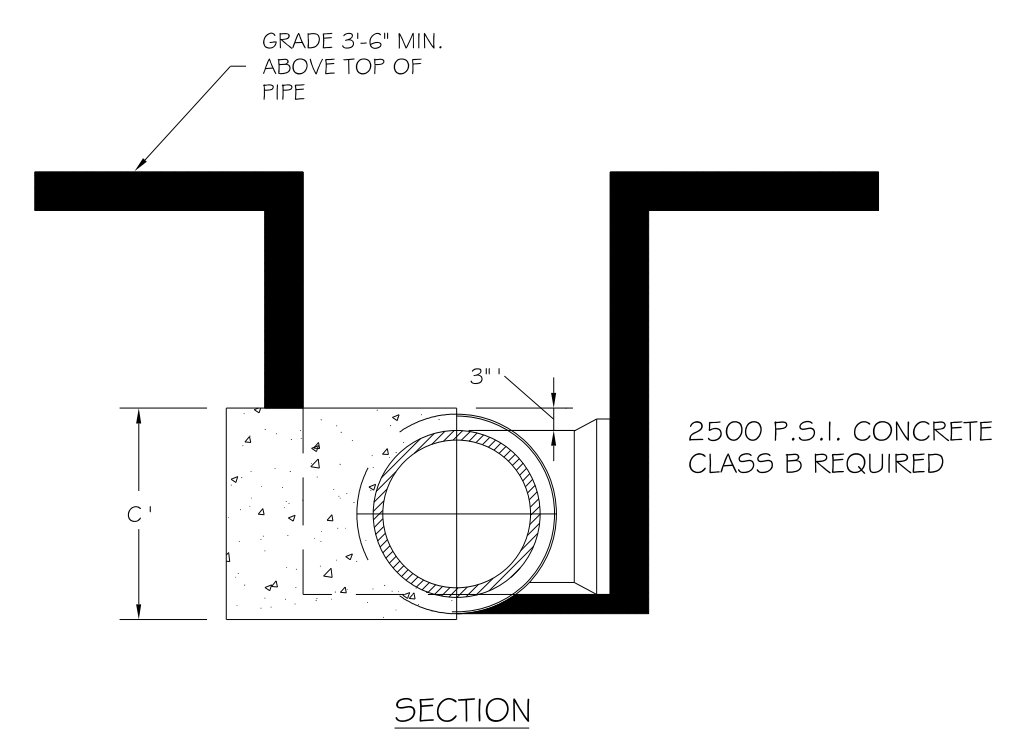
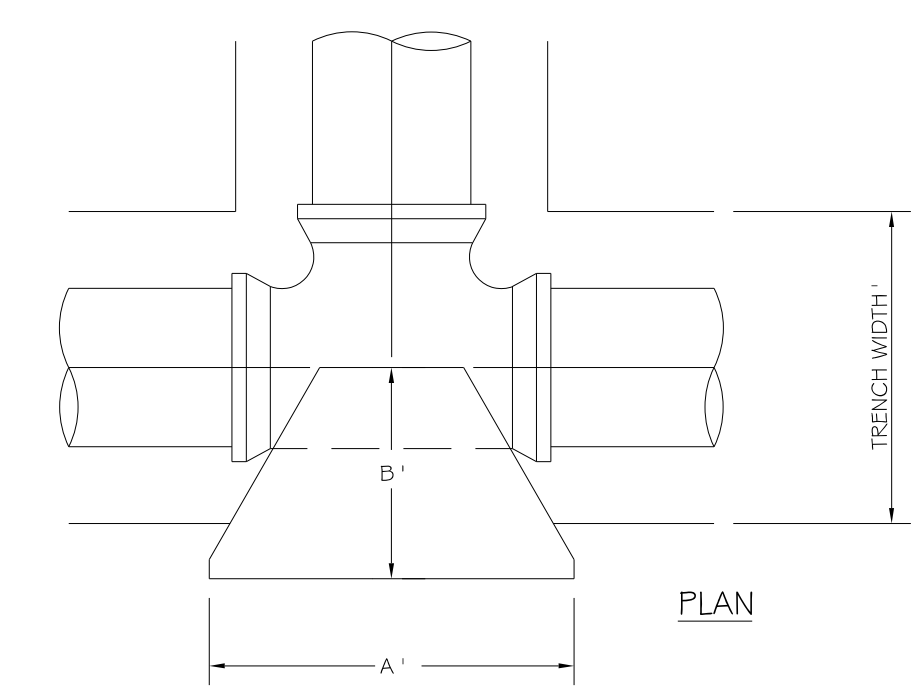
THRUST BLOCK DETAIL FOR BEND FITTINGS



NOMINAL DIAMETER	A	B	C	TRENCH WIDTH
6"	1'0"	1'0"	1'0"	2'6"
8"	1'4"	1'0"	1'2"	2'8"
12"	2'0"	1'0"	1'6"	3'0"
16"	2'8"	1'0"	1'10"	3'4"
20"	3'0"	1'0"	2'2"	3'8"
24"	3'0"	1'0"	3'0"	4'0"
30"	4'0"	1'6"	3'6"	4'6"



NOMINAL DIAMETER	A	B	C	TRENCH WIDTH
6"	2'6"	1'0"	1'4"	2'6"
8"	3'0"	1'6"	1'10"	2'8"
12"	4'0"	1'6"	3'0"	3'0"
16"	6'0"	2'0"	3'8"	3'4"
20"	7'0"	2'6"	4'4"	3'8"
24"	8'0"	3'2"	5'6"	4'0"
30"	9'6"	4'0"	6'2"	4'6"



THRUST BLOCK DETAIL FOR TEE FITTINGS

TEE	A	B	C
6x6x6"	2'0"	1'0"	1'0"
8x8x8"	2'0"	1'0"	1'0"
8x8x8"	2'4"	1'0"	1'6"
12x12x6"	2'4"	1'0"	1'6"
12x12x8"	2'6"	1'0"	1'6"
12x12x12"	2'8"	1'6"	1'10"
16x16x6"	2'6"	1'6"	1'10"
16x16x8"	2'6"	1'6"	1'10"
16x16x12"	2'10"	1'6"	2'0"
16x16x16"	2'10"	1'6"	2'0"
20x20x6"	2'6"	1'8"	2'2"
20x20x8"	2'6"	1'8"	2'2"
20x20x12"	2'10"	1'8"	2'2"
20x20x16"	2'10"	1'10"	2'2"

TEE	A	B	C
20x20x20"	3'2"	2'0"	3'0"
24x24x6"	2'6"	1'8"	2'6"
24x24x8"	2'6"	1'8"	2'6"
24x24x12"	2'10"	1'8"	2'6"
24x24x16"	2'10"	2'0"	3'0"
24x24x20"	3'2"	2'0"	3'0"
24x24x24"	3'6"	2'0"	3'6"
30x30x6"	2'6"	1'8"	3'4"
30x30x8"	2'6"	1'8"	3'4"
30x30x12"	2'10"	1'8"	3'4"
30x30x16"	3'6"	1'10"	3'8"
30x30x20"	3'6"	2'0"	3'8"
30x30x24"	3'10"	2'6"	4'0"
30x30x30"	4'2"	3'0"	4'4"

5/14/99