

**This electronic collection of documents is provided  
for the convenience of the user  
and is Not a Certified Document –**


**The documents contained herein were originally issued  
and sealed by the individuals whose names and license  
numbers appear on each page, on the dates appearing  
with their signature on that page.**

**This file or an individual page  
shall not be considered a certified document.**

**STATE OF NORTH CAROLINA  
DEPARTMENT OF TRANSPORTATION**

**SIGNING PLAN  
JACKSON COUNTY**

**LOCATION: BRIDGE NO. 101 SR 1740 OVER CANEY FORK**

PROJECT REFERENCE NO. <b>B-5159</b>	SHEET NO. <b>SIGN-1</b>
APPROVED: <i>Renée B. Roach</i> <small>83C6C8F7CF4840D...</small>	
DATE: 3/21/2017	
SEAL 	
<b>DOCUMENT NOT CONSIDERED FINAL UNLESS ALL SIGNATURES COMPLETED</b>	

**T.I.P.: B-5159**

**CONTRACT: C203939**

**SUMMARY OF QUANTITIES**

ITEM NO.		ITEM DESCRIPTION	QUANTITY	UNIT
DESC. NO.	SECT. NO.			
4025000000	901	CONTRACTOR FURNISHED, TYPE E SIGN	28	S.F.
4072000000	903	SUPPORTS, 3 LB STEEL U-CHANNEL	59	L.F.
4102000000	904	SIGN ERECTION, TYPE E	4	EA.
4155000000	907	DISPOSAL OF SIGN SYSTEM, U-CHANNEL	7	EA.

**GENERAL NOTES**

- . SIGNS FURNISHED BY CONTRACTOR
- . IF REMOVAL OR RELOCATION OF SIGNS ON PRIVATE STREET (NON-STATE MAINTAINED) IS REQUIRED DUE TO CONSTRUCTION, THE CONTRACTOR SHALL INFORM THE ENGINEER. THE WORK WILL BE COMPLETED BY OTHERS.
- . WHEN NOT STATIONED OR DIMENSIONED ON PLANS, ALL 'E' AND 'F' SIGNS SHALL BE FIELD LOCATED BY THE ENGINEER
- . ALL EXISTING SIGNS ON "U" CHANNEL POST WITHIN THE PROJECT LIMITS SHALL BE REMOVED AND DISPOSED OF UNLESS OTHERWISE NOTED ON PLANS.
- . THE BACKGROUND FOR TYPE E & F SIGNS SHALL BE TYPE C REFLECTIVE SHEETING.
- . SEE ROADWAY PLANS FOR GUARD/GUIDE RAIL DETAILS.

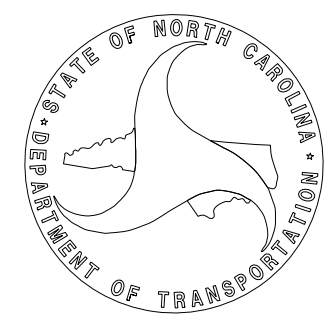
**ROADWAY STANDARD DRAWING**

THE FOLLOWING ROADWAY STANDARDS AS APPEAR IN "ROADWAY STANDARD DRAWINGS" - PROJECT SERVICES UNIT - N.C. DEPARTMENT OF TRANSPORTATION - RALEIGH, N.C., DATED JANUARY 2012 ARE APPLICABLE TO THIS PROJECT AND BY REFERENCE HEREBY ARE CONSIDERED A PART OF THESE PLANS:

- 904.10 ORIENTATION OF GROUND MOUNTED SIGNS
- 904.50 MOUNTING OF TYPE 'D', 'E' AND 'F' SIGNS ON 'U' CHANNEL POSTS

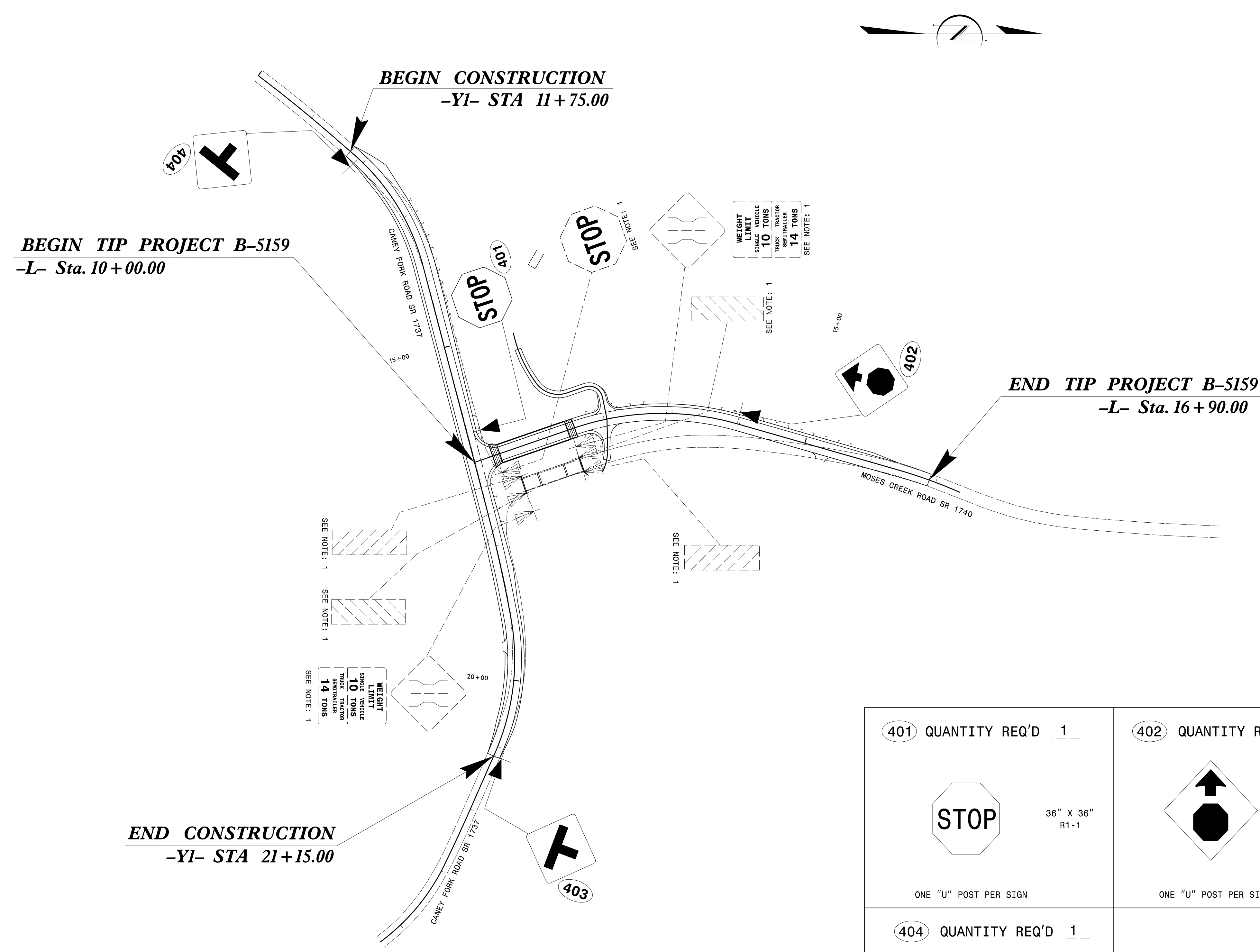
PLAN PREPARED BY: N.C.D.O.T. SIGNING AND DELINEATION UNIT

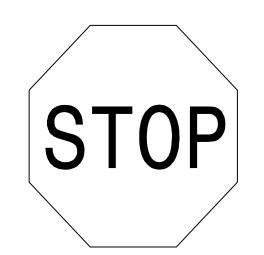
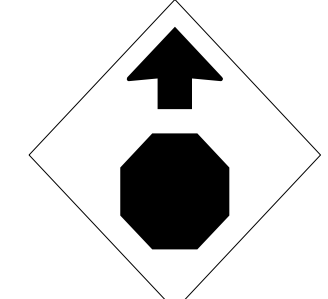
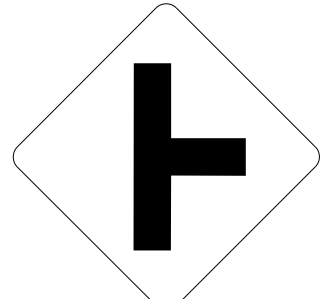
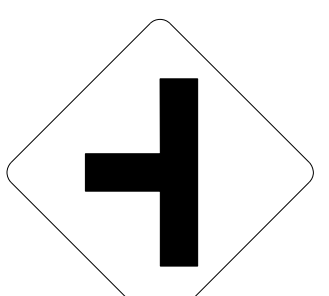
Kelvin Jordan SIGNING & DELINEATION REGIONAL ENGINEER  
Walter Johnson SIGNING & DELINEATION PROJECT DESIGN ENGINEER



**INDEX**

SHEET NO.	DESCRIPTION
SIGN-1	TITLE SHEET
SIGN-2	DETAIL SHEET, E SHEET



<b>401</b> QUANTITY REQ'D <u>  1  </u>   36" X 36" R1-1  ONE "U" POST PER SIGN	<b>402</b> QUANTITY REQ'D <u>  1  </u>   30" X 30" W3-1a  ONE "U" POST PER SIGN	<b>403</b> QUANTITY REQ'D <u>  1  </u>   30" X 30" W2-2R  ONE "U" POST PER SIGN
<b>404</b> QUANTITY REQ'D <u>  1  </u>   30" X 30" W2-2L  ONE "U" POST PER SIGN		

<b>PROJECT NOTES</b>	
1	DISPOSAL OF SIGN SYSTEM, U-CHANNEL

**DETAIL SHEET**